

CHECK CONDITION OF SHIPMENT

Upon receipt of this kit, check the condition of the packaging. Damage to the package should be noted on the carrier's freight receipt. Any damage claims as a result of shipping must be handled through the shipper. Travis Industries will provide assistance in resolving shipping claims or replacing items not included in the package. Please report any missing items immediately.

COMPATIBILITY

- 864TRV
- 864 HH
- 44 DV XXL
- 1998 36 DV XL or Later

ITEMS NEEDED FOR ASSEMBLY

- Foil Duct Tape (U.L. 181 A-P or equivalent)
- 1/4", 5/16" Nutdriver or Wrench
- Phillips Screwdriver
- Wiring Equipment (Wire Nuts, Wire Stripper, Sheathed Wire (Romex®-type), etc.)

PACKING LIST

- | | |
|---|--|
| • Blower Box | • Duct Adapter (6" Round to 10" by 3-1/4") |
| • 6" Round Duct (2' – 20' Length) | • Rheostat |
| • Grill (with 2 screws) | • Wall Adapter |
| • 2 Junction Boxes | • Cover Plate (w/ screws) |
| • Floor Boot | • 4 #8 Sheet Metal Screws |
| • Wall Mounting Brackets (2) | • Electrical Connector |
| • Starter Ring | • 4 #8 Wood Screws |
| • Cable Clamp | • 2 Knobs |
| • Thermodisk (for modulating remotes only)* | |

- The thermodisk included with this kit is for use only with the modulating remote (compatible with the 864 HH (sn 3407-001010 or greater), 36DV, and 44 DV XXL). If you are not using the modulating remote, or if you have the 864TRV, you may discard the thermodisk. If using the modulating remote, install the thermodisk following the directions included with the modulating remote.

INSTALLATION WARNINGS

- Warning:** This kit must be installed as specified in these instructions. Do not modify any component.
- Warning:** Use of any external blower other than the Travis Power Heat Duct Blower will void the warranty and listing of this appliance and may create a fire hazard.
- Note:** The power heat duct **must** be installed by a qualified service technician.
- Note:** Some building codes may require the use of firestop spacers whenever the duct passes from room to room.
- Note:** When routing ducts through a cold area (e.g. crawl space) we recommend insulating the duct with fiberglass insulation. If paper-backed insulation is used, the paper can not contact the duct.

Power Heat Duct, Extra Room Part # 98500769

INSTALLATION OVERVIEW

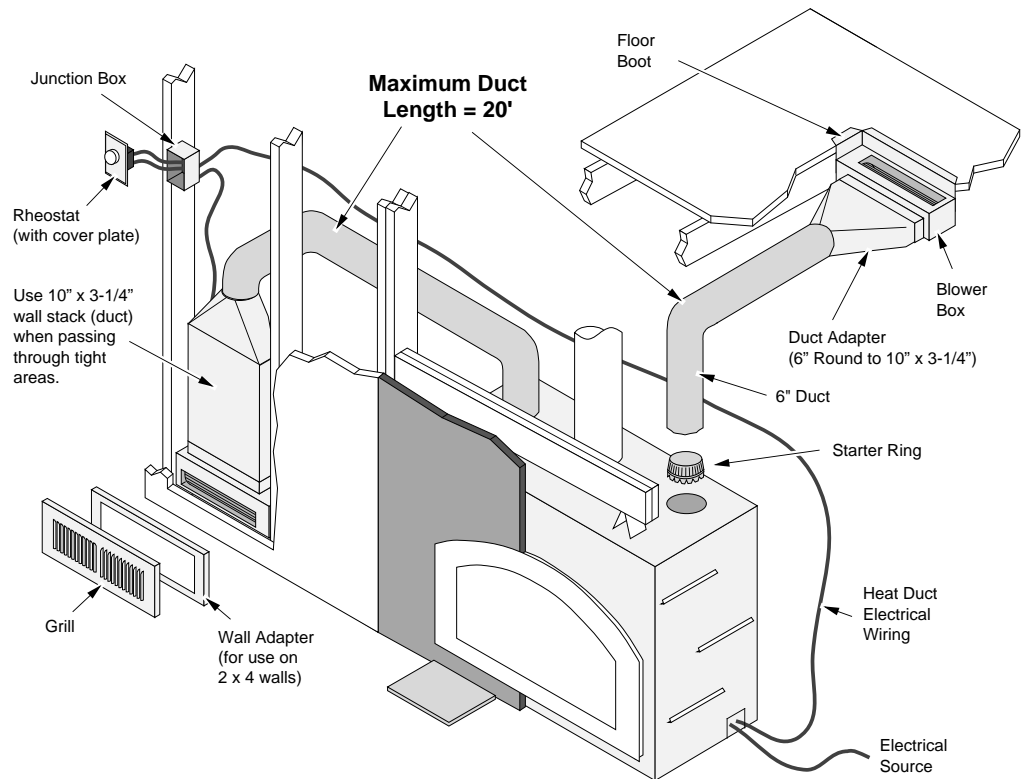
The overview below details installation concerns for the type of heater being used. We recommend installing the heat duct prior to installing drywall.

36 DV

44 DVXXL

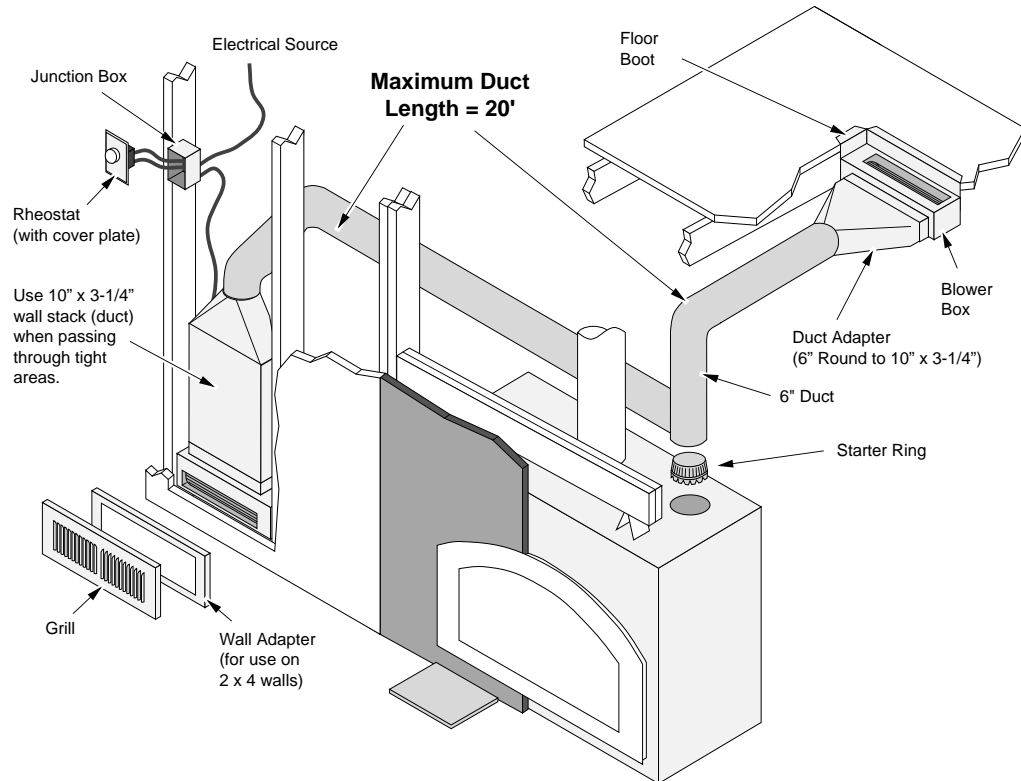
864 HH

- One or two ducts may be used
- Blower is controlled by the fireplace (the blower will shut off when the fireplace is cool). The speed of the blower may controlled by the rheostat (or shut off).



864TRV

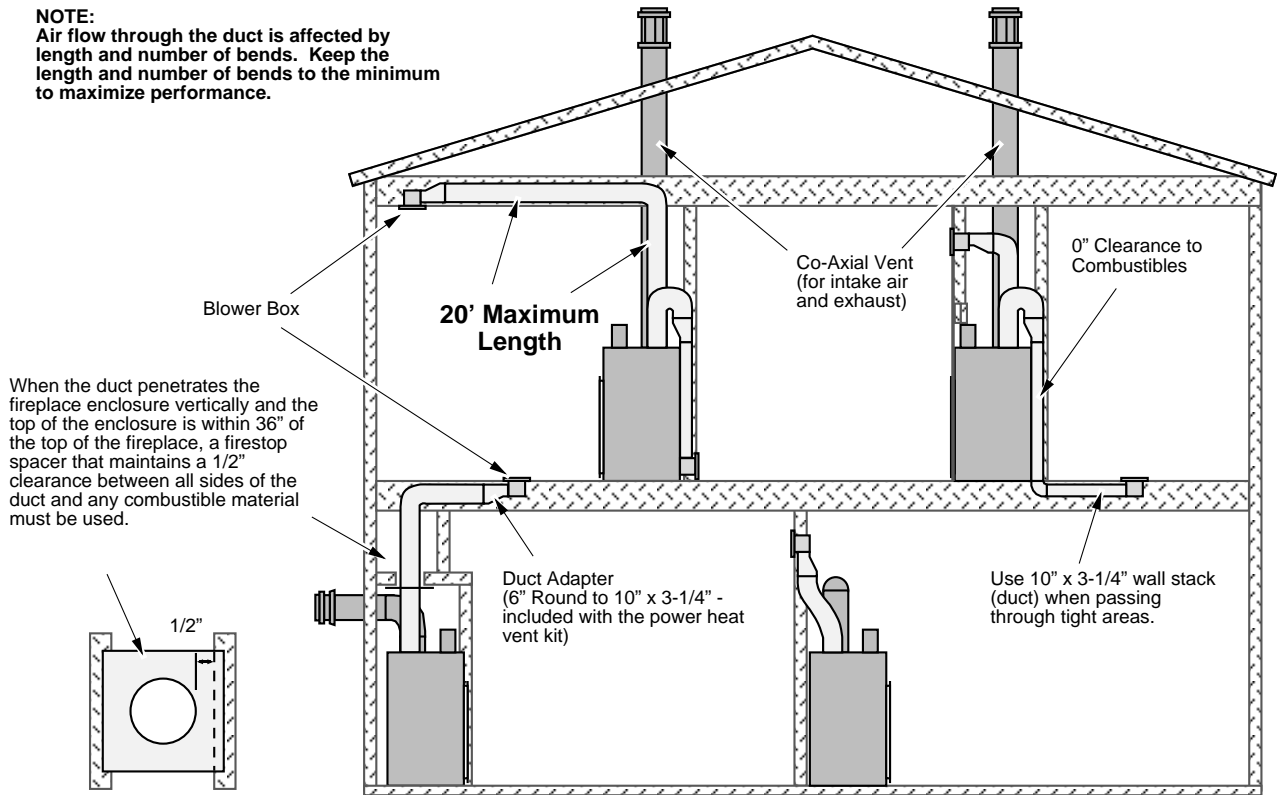
- Only one duct may be used
- Blower is controlled manually (the fireplace does not turn off the blower when the fireplace is cool).



DUCT INSTALLATION INSTRUCTIONS

Determine the route for the heat duct using the illustration below as a guide.

NOTE:
Air flow through the duct is affected by length and number of bends. Keep the length and number of bends to the minimum to maximize performance.



When the duct penetrates the fireplace enclosure vertically and the top of the enclosure is within 36" of the top of the fireplace, a firestop spacer that maintains a 1/2" clearance between all sides of the duct and any combustible material must be used.

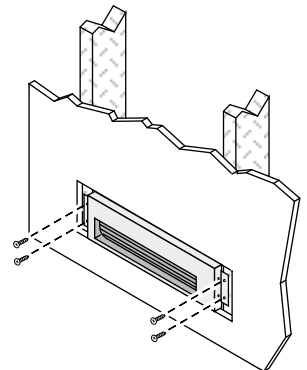
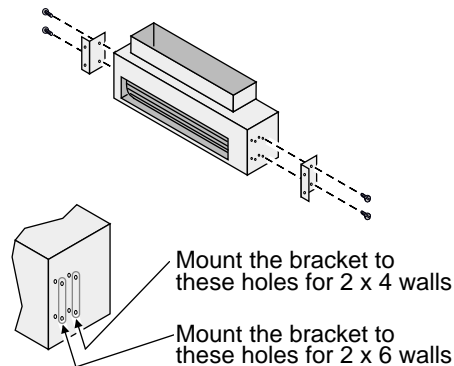
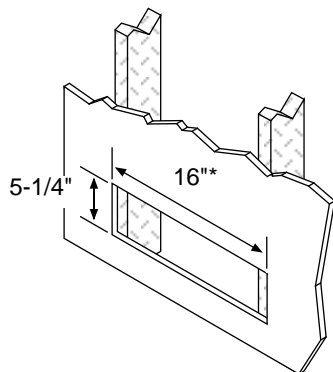
Attach the blower box to the framing or floorboards of the home following the instructions below.

Wall or Ceiling Mounting

(a) Cut a hole between wall framing members for the blower assembly.

(b) Attach the wall mounting brackets to the blower box.

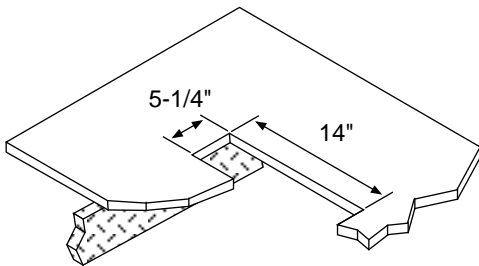
(c) Slide the blower, with wires, into the hole cut in step "a". Attach with four screws.



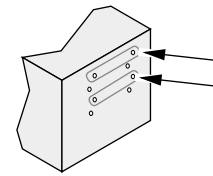
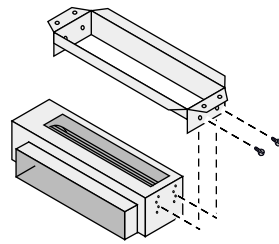
* This blower was designed for framing on 16" centers. Construct additional framing if needed. If the blower is installed prior to the drywall only a 14" opening is required. If installed after the drywall is in place, the drywall to the sides of the blower will need to be patched.

Floor Mounting

- a** Cut a hole between floor joists for the blower box.

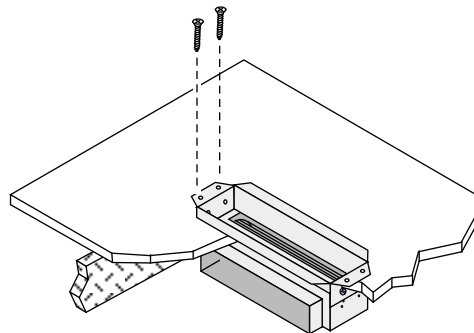


- b** Attach the floor boot to the blower box with the included screws.

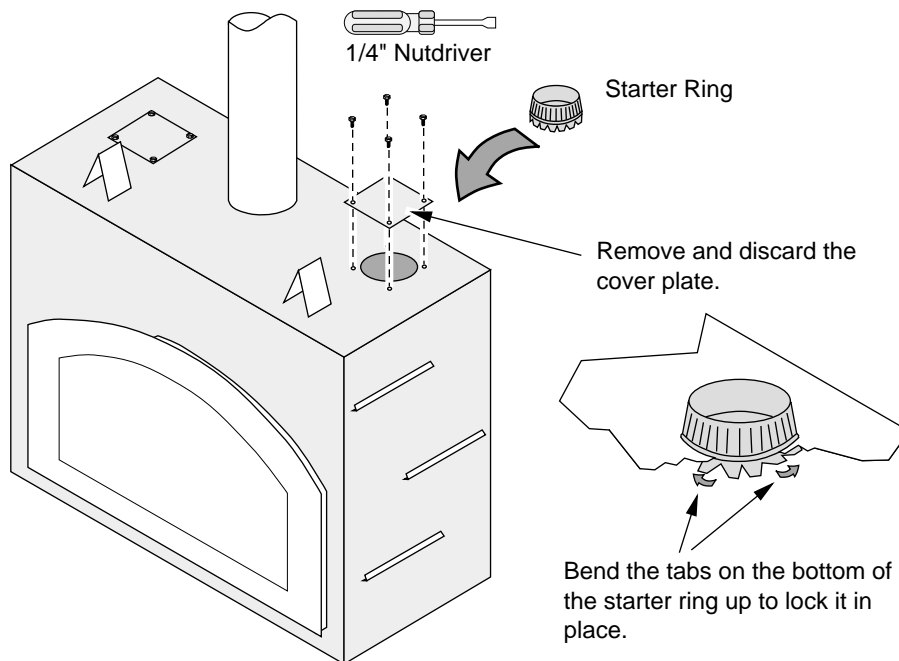


The screws attach to either of these pairs of holes. Use the upper pair for thick flooring, the lower pair for thin flooring.

- c** Slide the blower into the hole cut in step "a". Attach with four screws.



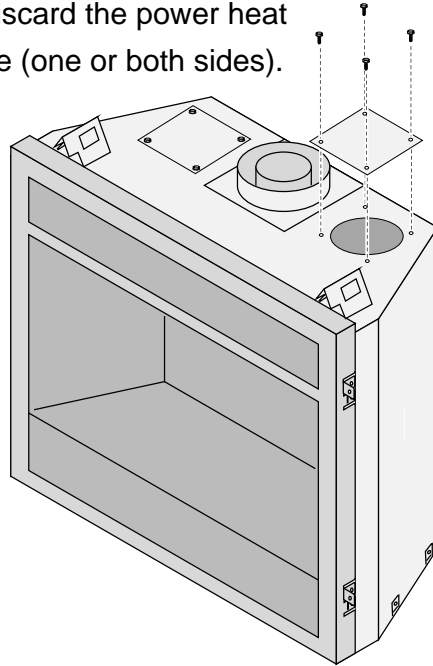
Attach the starter ring to the fireplace following the directions below (use the most convenient side - 864TRV has only one opening on the right side).



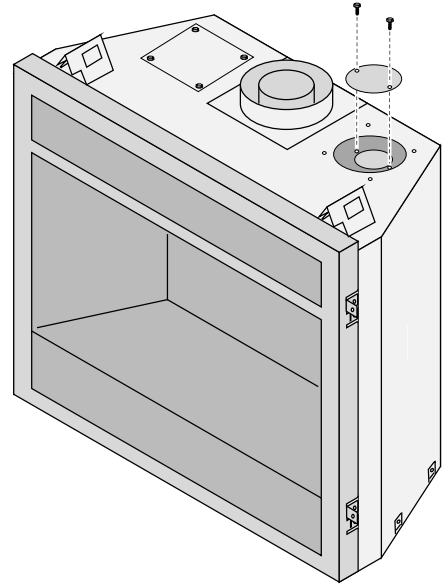
NOTE for 864 HH (sn 3407-001010 or greater)

Newer 864 HH fireplaces (SN 3407-001010 or greater) have removable heat shields below the heat duct connections. The removable heat shields allow more heat to be routed to the power heat ducts (see below for details).

Remove and discard the power heat duct cover plate (one or both sides).



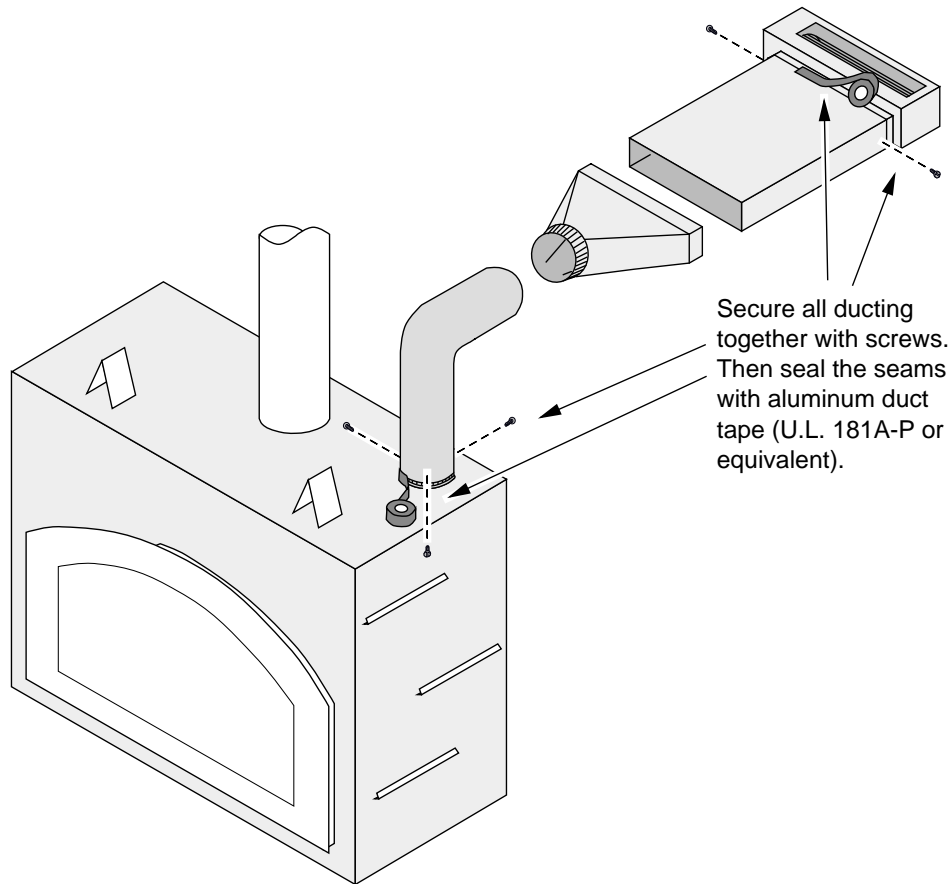
Remove and discard the circular cover plate attached to the heat shield.



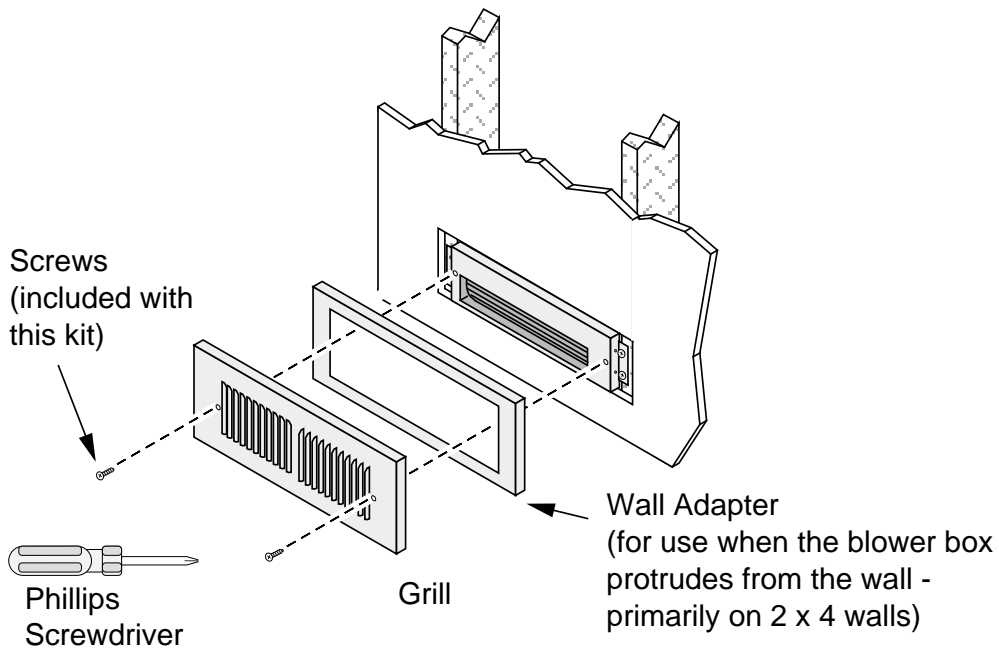
Power Heat Duct, Extra Room Part # 98500769

Install the air duct. Each section, when joined, must be attached with three screws and aluminum duct tape (U.L. 181A-P or equivalent). Secure the duct if it is in an area where it may sag or become dislodged.

NOTE: The air duct has a 0" clearance to combustibles.



Attach the grill (and wall adapter, if necessary).

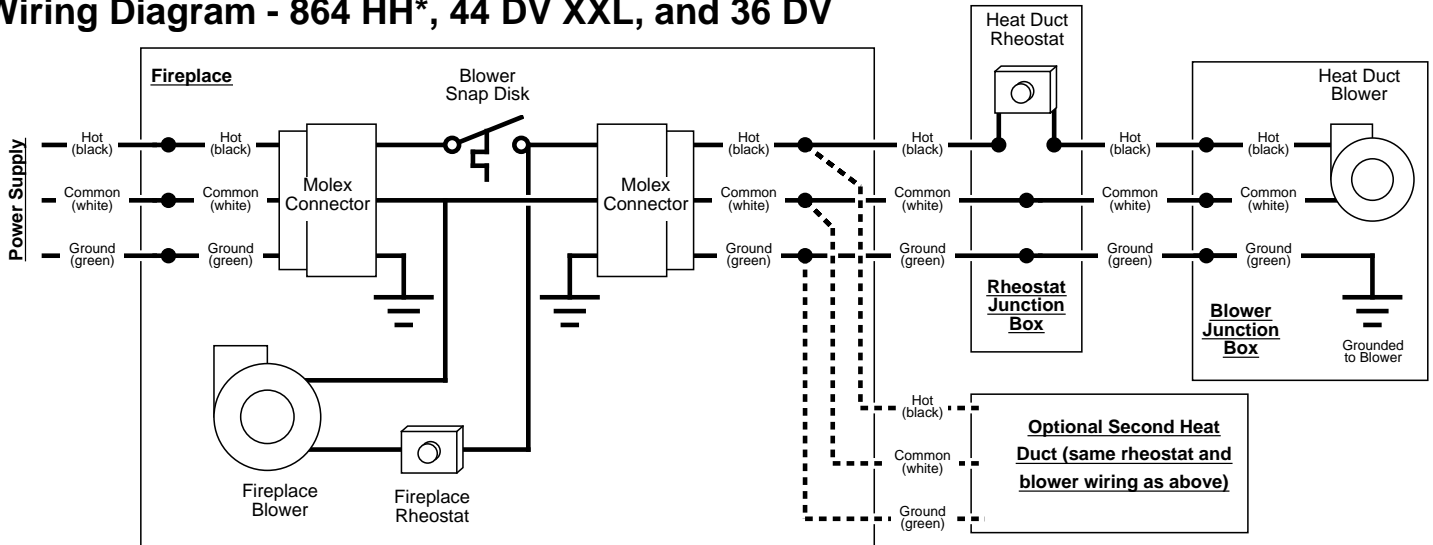


WIRING INSTRUCTIONS

Warning: All wiring should be done by a qualified electrician and shall be in compliance with local codes and with the current National Electric Code ANSI/NFPA 70 (in the U.S.), or with the current CSC22.1 Canadian Electric Code (in Canada).

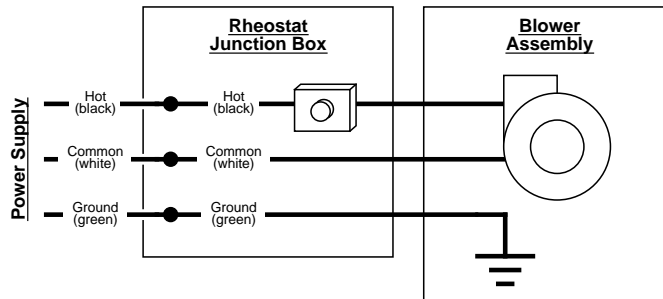
Warning: Make sure the fireplace electrical circuit is disabled prior to working on electrical hookup.

Wiring Diagram - 864 HH*, 44 DV XXL, and 36 DV



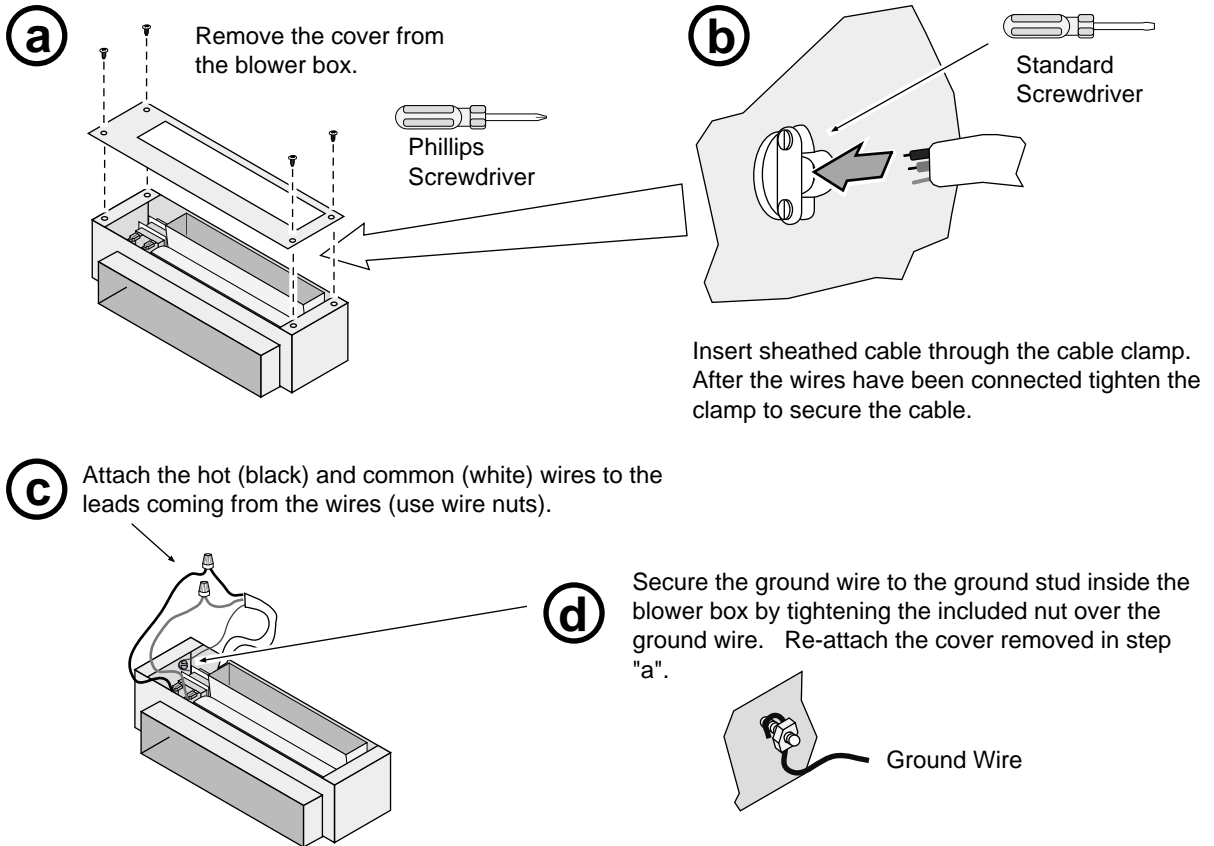
Wiring Diagram -864TRV

* 864 HH SN 3407-001010 or greater. 864 HH SN 3407-001009 or less uses wiring similar to the 864TRV.

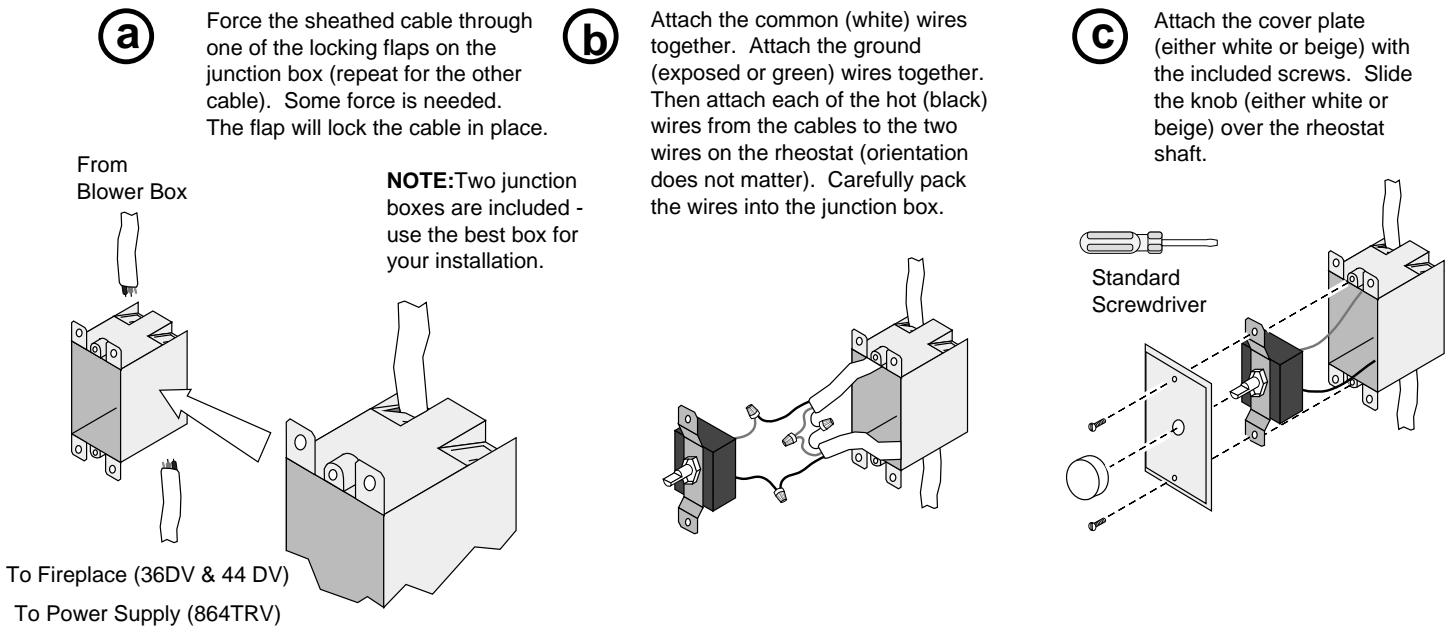


Power Heat Duct, Extra Room Part # 98500769

1 Follow the directions below to wire the blower box.



2 Follow the directions below to wire the rheostat. **NOTE:** There are two types of junction boxes, use the appropriate junction box for your installation.



Power Heat Duct, Extra Room Part # 98500769

3 Follow the directions for the model being addressed.

864TRV and 864 HH (SN 3407-001009 or less):

- Run the free wire from the rheostat junction box to the power supply.

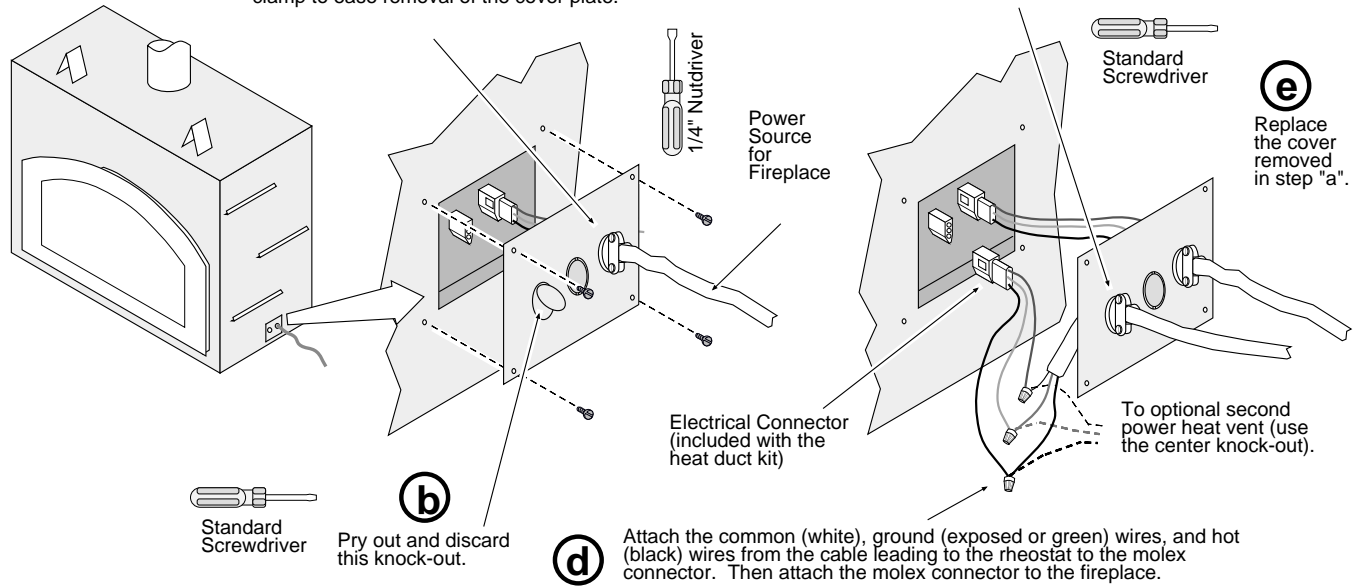
36 DV and 44 DV XXL ONLY:

- Run the free wire from the rheostat junction box to the fireplace. Follow the directions below to connect the heat duct circuit to the fireplace.

(a) Remove the cover from the fireplace junction box.

Note: you may need to loosen this cable clamp to ease removal of the cover plate.

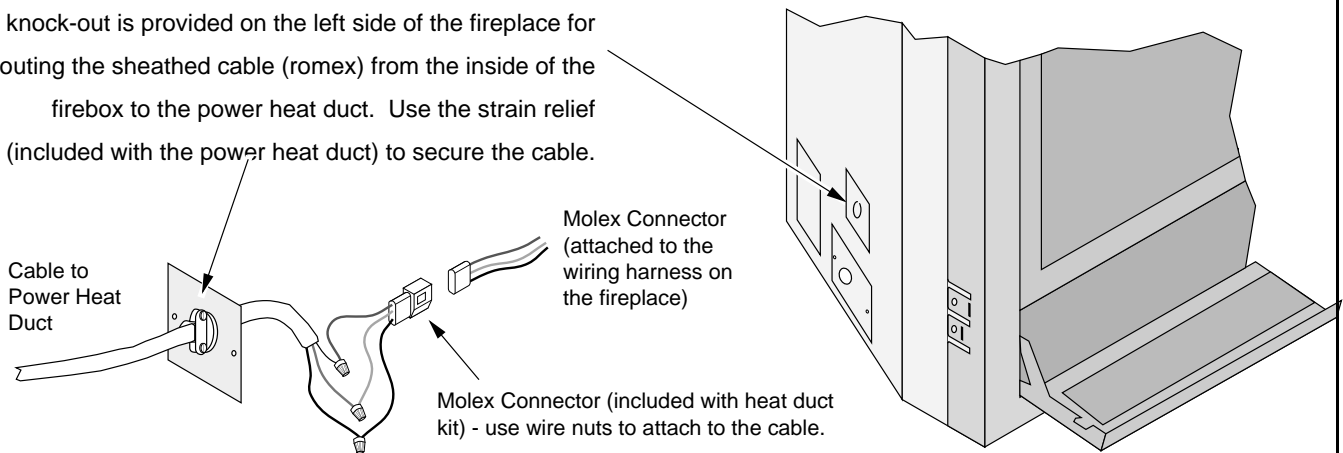
(c) Insert the sheathed cable from the rheostat through a cable clamp and push the cable clamp into the knock-out hole to secure it in place. Once the wires are attached, tighten the clamp to secure the cable.



864 HH Only (SN 3407-001010 or greater):

- 864 HH fireplaces (SN 3407-001010 or greater) have an improved wiring harness that allows the power heat duct to be turned on and off by the fireplace. An additional knock-out was added to the fireplace to allow for the electrical line to be routed to the power heat duct (see below).

A knock-out is provided on the left side of the fireplace for routing the sheathed cable (romex) from the inside of the firebox to the power heat duct. Use the strain relief (included with the power heat duct) to secure the cable.



OPERATING INSTRUCTIONS

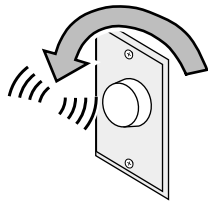
Allow the fireplace to reach normal operating temperature. Then use the wall-mounted rheostat to operate the blower speed.

36 DV & 44 DV XXL: The blower will automatically shut off after the fireplace cools.

864TRV: Turn the blower off when the fireplace is not in operation.

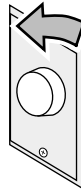
OFF

Turn the dial all the way counter-clockwise until it clicks off.



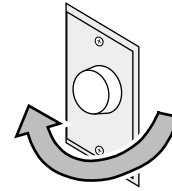
HIGH

The high position is all the way counter-clockwise, **without** clicking off.



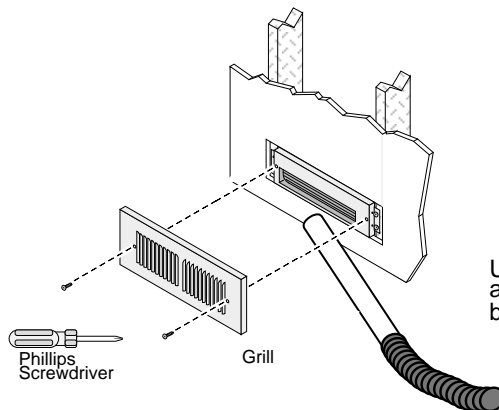
LOW

Turn the dial all the way clockwise.



MAINTENANCE INSTRUCTIONS

Once a year the grill should be removed and the blower area cleaned. Use a vacuum to clean around the squirrel-cage blower, being careful not to damage any of the blades.



Use a vacuum cleaner to remove any debris from the power vent blower.