

# Panel Set, Avalon

## CHECK CONDITION OF SHIPMENT

Upon receipt of this kit, check the condition of the packaging. Damage to the package should be noted on the carrier's freight receipt. Any damage claims as a result of shipping must be handled through the shipper. Travis Industries will provide assistance in resolving shipping claims or replacing items not included in the package. Please report any missing items immediately.

## COMPATIBILITY

- Avalon Pendleton
- Avalon Rainier
- Avalon Olympic

## ITEMS NEEDED FOR ASSEMBLY

- 5/16" and 3/8" Nutdriver
- Small & Large Standard Screwdriver
- Drill with 11/64" Bit

## PACKING LIST

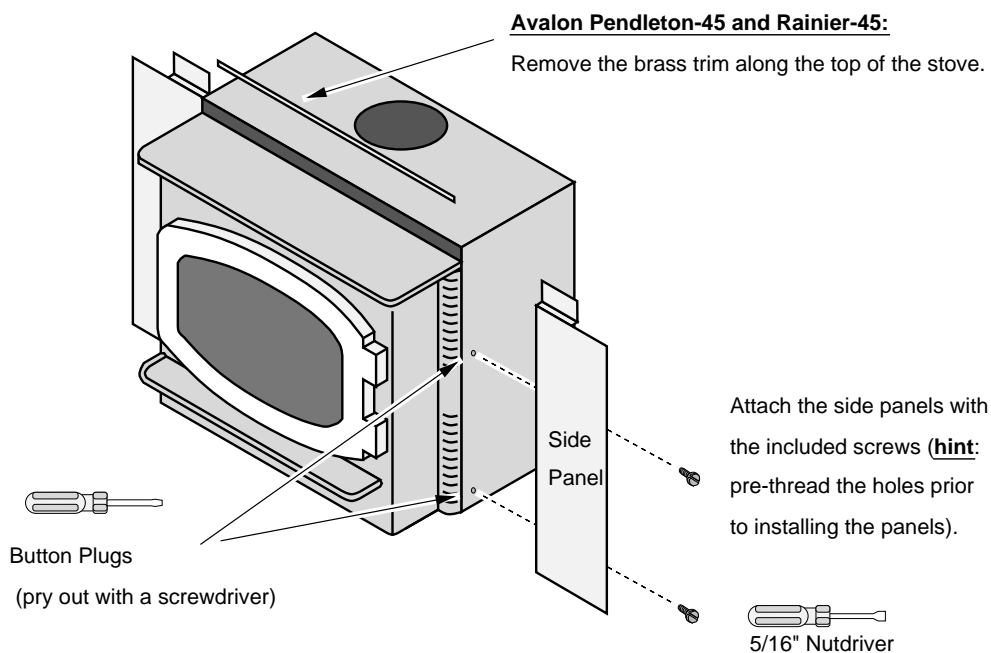
- Top Panel
- Two Side Panels
- Trim (& hardware)
- Insulation
- (4) 10-24 Type F Thread-Cutting Screws
- 7 Spring Clips

## PANEL SIZING and PART NUMBERS

Model	Size	Size Installed (including trim)	Black Trim
Pendleton (745/790)	8"	39 7/8" wide by 28" high	99300300
Pendleton (745/790)	10"	43 7/8" wide by 30" high	99300301
Pendleton (745/790)	12"	47 7/8" wide by 32" high	99300302
Rainier (945/990)	8"	41 3/4" wide by 28 7/8" high	99300306
Rainier (945/990)	10"	45 3/4" wide by 30 7/8" high	99300307
Rainier (945/990)	12"	49 3/4" wide by 32 7/8" high	99300308
Olympic (1190)	8"	45 1/4" wide by 28 7/8" high	99300312
Olympic (1190)	10"	49 1/4" wide by 30 7/8" high	99300313
Olympic (1190)	12"	53 1/4" wide by 32 7/8" high	99300314

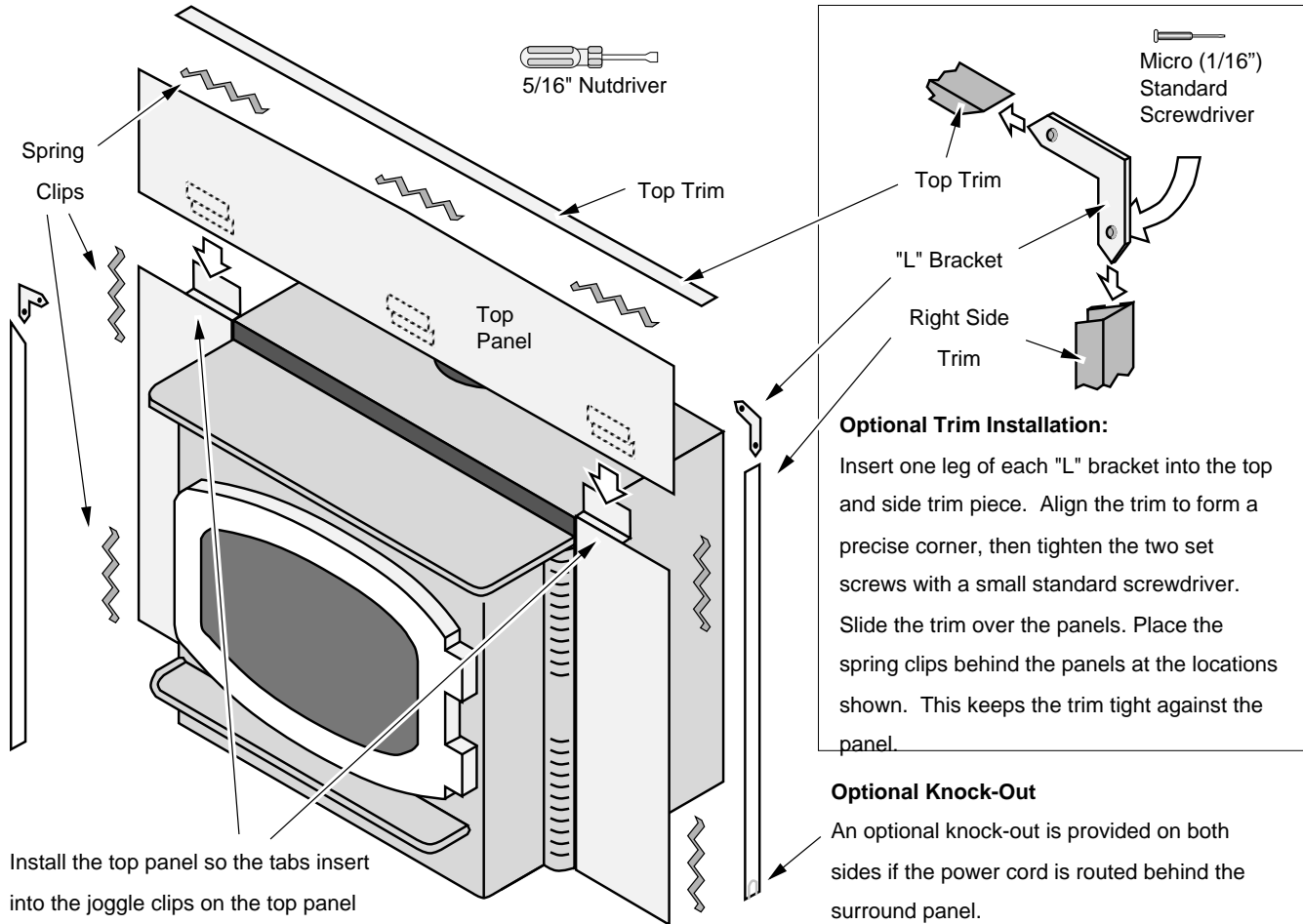
## INSTALLATION INSTRUCTIONS

1. With the insert 12" from the fireplace, install the side surround panels (see the directions below).



# Panel Set, Avalon

2. Adjust the position of the side panels so they are: 1) flush with the bottom of the insert; 2) both the same distance back from the front of the insert; 3) perpendicular to the floor (use the top panel, if necessary, to judge alignment). Tighten the screws that hold the side panels in place.
3. Place the insert into the fireplace and connect the flue (if using a positive or direct connection). Install the top panel and trim following the directions below.



## Insulation Installation (required only for face seal installations)

1. With the insert drawn 6" from the fireplace, glue the insulation strip included with the insert to the back of the panels using RTV silicon or stove gasket cement. The insulation should be installed so it overlaps the fireplace opening to form a seal between the panels and the fireplace face. Let the silicon or cement dry.
2. Push the insert into the fireplace, allowing the insulation to form a seal between the panels and the fireplace. Use a screwdriver to tuck any exposed insulation behind the panels.