



## Packing List

- Rear Fireback
- (2) Side Firebacks

**NOTE** The firebacks are 2-sided. When installing, use the desired pattern.

## Installation

**WARNING** Turn off gas to the appliance and make sure it has fully cooled prior to conducting service.

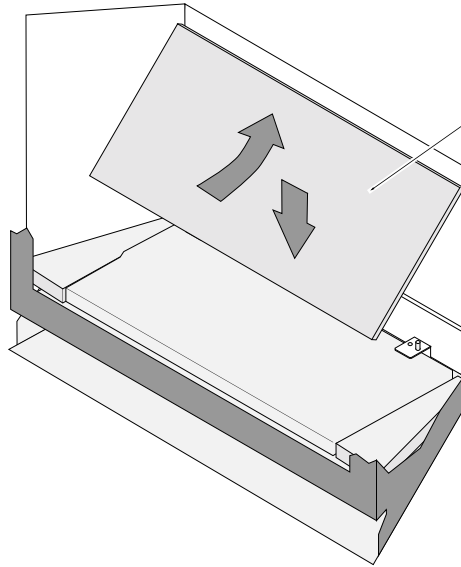
- 1 Remove the glass frame and logs (see the manual for details).
- 2 Follow the steps below to install the firebacks (see illustrations on the following page).
  - a) Remove the burner (see the manual for details).
  - b) For the DVS GSR bend the accent light down (if installed).
  - c) Install the rear fireback (see illustration on the following page).
  - d) Install the side firebacks (see illustration on the following page).
  - e) For the DVS GSR, return the accent light to the correct configuration.
  - f) Replace the burner.
- 3 Restore the appliance to the correct configuration.



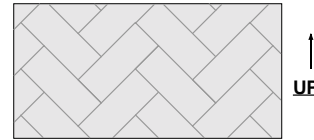
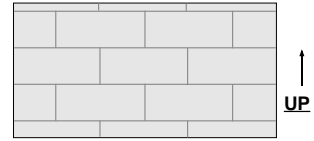
# DVS GSR / 31 DVI Firebacks (2-Sided)

SKU # 96100100 - Brick or Herringbone

Slide the top of the rear fireback behind the baffle on top of the firebox and pivot it back into place. It rests on the shelf at the back of the firebox.

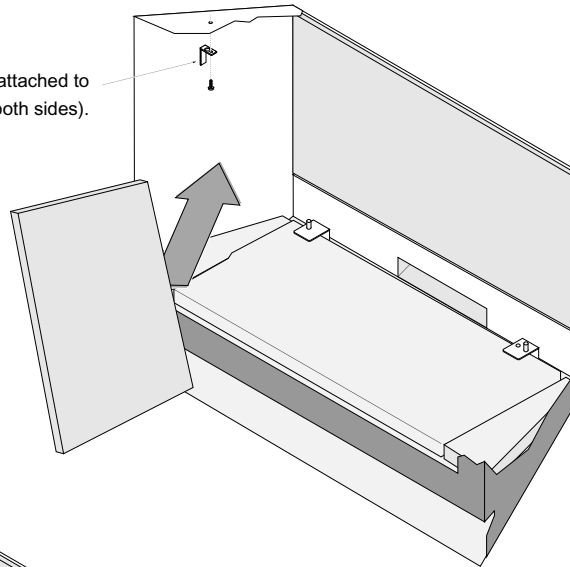


**NOTE:** The rear fireback must be installed as shown below for the brick pattern to line up with the side firebacks.



Remove this clip attached to the firebox ceiling (both sides).

Hold the side firebacks at a slight angle and place them into position (both sides).



Replace the clip to secure the side fireback (both sides).

