



**TRAVIS INDUSTRIES
HOUSE OF FIRE**

36 CF / 1080 CF Firebacks

Two-Sided (Brick or Herringbone) Arched 96100166 – Rectangular 96100172

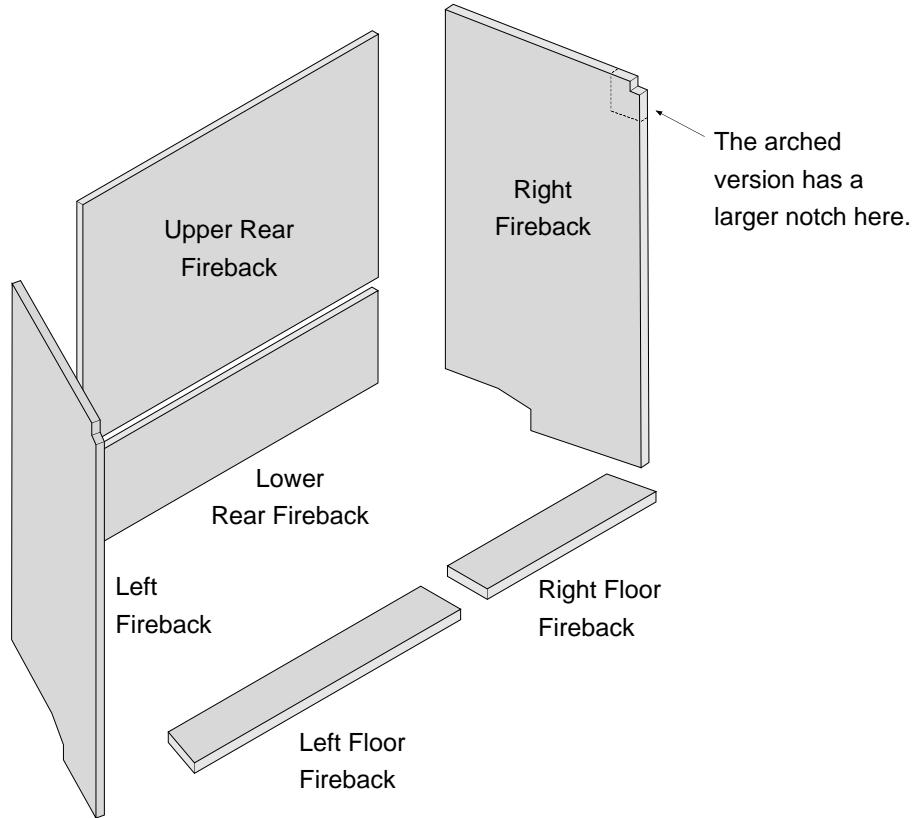
Two-Sided (Diamond or Stucco) Arched 96100168 – Rectangular 96100174

Whidbey Rock Creek – 96100252

Constitution Basket Weave / Quilt - 96100175

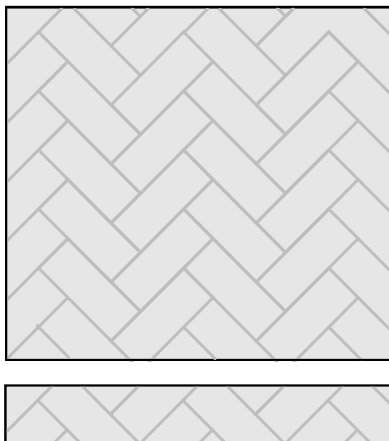
WARNING The firebacks must be installed prior to operating your fireplace. See the installation manual for further details.

Packing List

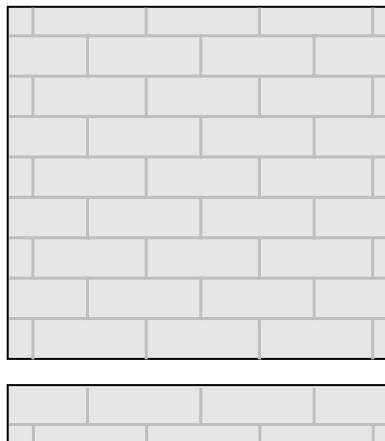


NOTE Make sure the rear brick is correctly positioned (see the illustration below)

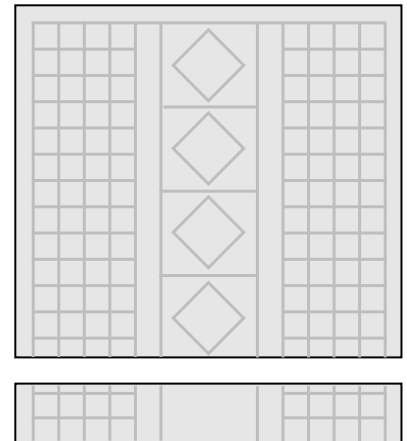
Herringbone Pattern



Brick Pattern



Diamond Pattern





**TRAVIS INDUSTRIES
HOUSE OF FIRE**

36 CF / 1080 CF Firebacks

Two-Sided (Brick or Herringbone) Arched 96100166 – Rectangular 96100172

Two-Sided (Diamond or Stucco) Arched 96100168 – Rectangular 96100174

Whidbey Rock Creek – 96100252

Constitution Basket Weave / Quilt - 96100175

36 CF Installation

- 1 Remove the glass frame, logs, and grate (see installation manual for details).
- 2 Install the firebacks following the directions below.

Remove the clip and screw located on the firebox ceiling near the front (both sides).

(a)

(b)

Place the floor firebacks in the gap in front of the burner. Bend the 3 tabs on the burner down to secure the floor firebacks.

Left Floor Fireback

Right Floor Fireback

Replace the clip to secure the side fireback (both sides).

(e)

Side Fireback

(c)

Place the rear firebacks in place. Note how the lower fireback rests on the ledge at the back of the firebox.

Upper Rear Fireback

Lower Rear Fireback

(d)

While holding the rear firebacks in place, slide the side firebacks between the burner and side wall of the firebox. The side firebacks hold the back firebacks in place.

- 3 Restore the fireplace to the correct configuration.



36 CF / 1080 CF Firebacks

Two-Sided (Brick or Herringbone) Arched 96100166 – Rectangular 96100172

Two-Sided (Diamond or Stucco) Arched 96100168 – Rectangular 96100174

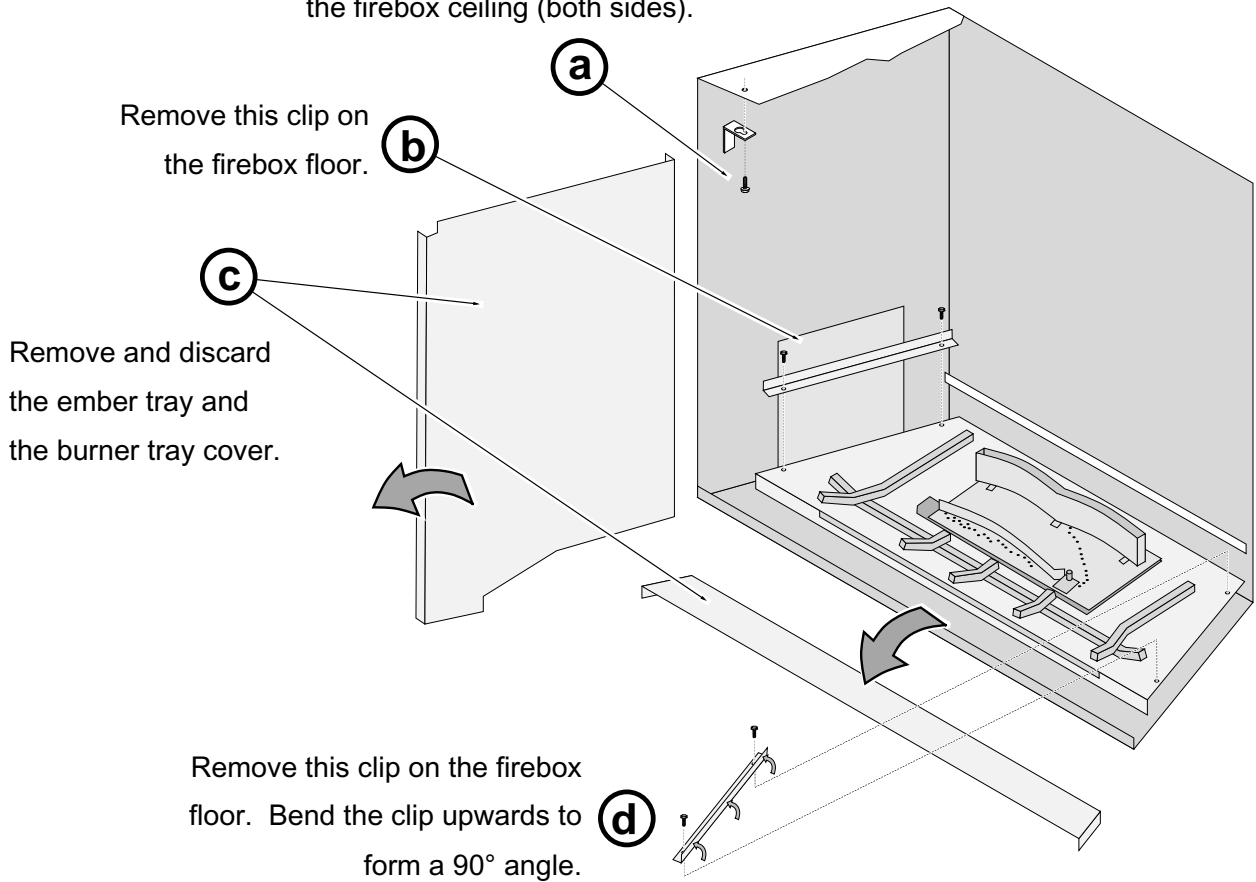
Whidbey Rock Creek – 96100252

Constitution Basket Weave / Quilt - 96100175

1080 CF Installation

- 1 Remove the glass frame, logs, and grate (see installation manual for details).
- 2 Remove and discard the ember tray and burner tray cover following the directions below.

Loosen the screw and remove the clips located on the firebox ceiling (both sides).





**TRAVIS INDUSTRIES
HOUSE OF FIRE**

36 CF / 1080 CF Firebacks

Two-Sided (Brick or Herringbone) Arched 96100166 – Rectangular 96100172

Two-Sided (Diamond or Stucco) Arched 96100168 – Rectangular 96100174

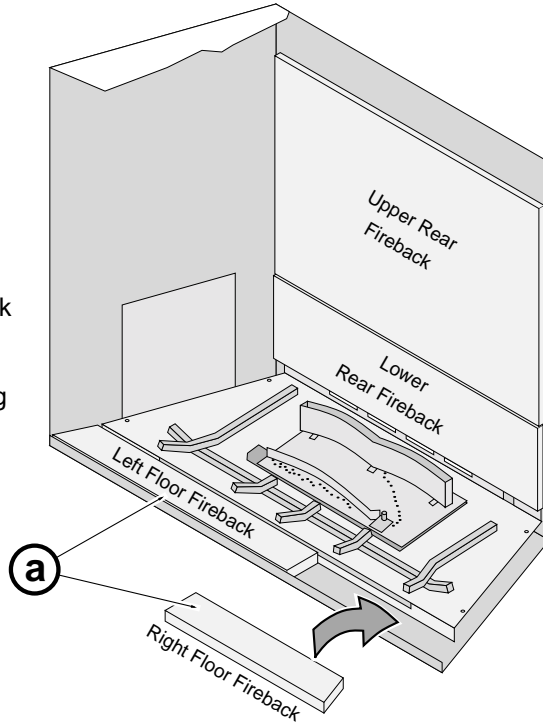
Whidbey Rock Creek – 96100252

Constitution Basket Weave / Quilt - 96100175

3 Install the firebacks following the directions below.

(b)
Place the rear firebacks in place. The lower fireback rests on the tabs on the back wall of the firebox. Hold them in place while installing the side firebacks.

Place the floor firebacks in place.



Slide the side firebacks into place and replace the clip to secure (both sides).

