

### **Compatibility:**

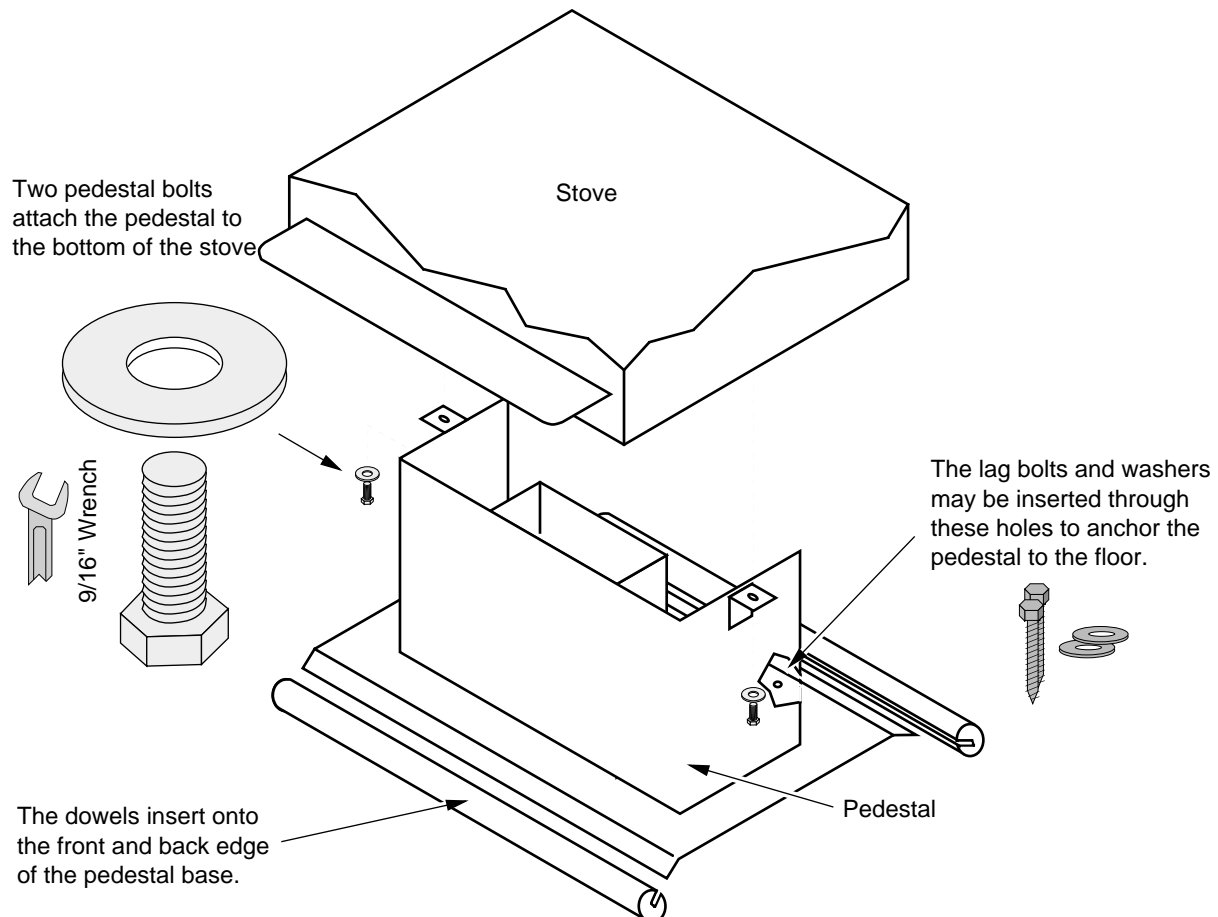
- 1250 Wood Stove
- Pendleton
- Rainier

### **Packing List:**

- Pedestal
- (2) Dowels
- (2) 3/8-16 x 3/4" Bolts w Washers
- (2) 5/16" x 3" Lag Bolts w Washers
- Screen with (6) Staples
- Insulation
- Cover Plate (for use when using outside air on the Rainier and Pendleton)

### **Pedestal Attachment**

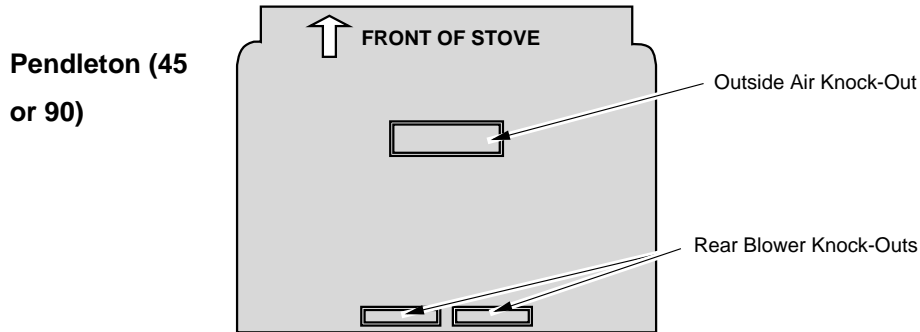
**NOTE:** If using outside air, install it prior to attaching the pedestal (see Outside Air Installation on page 2 and 3).



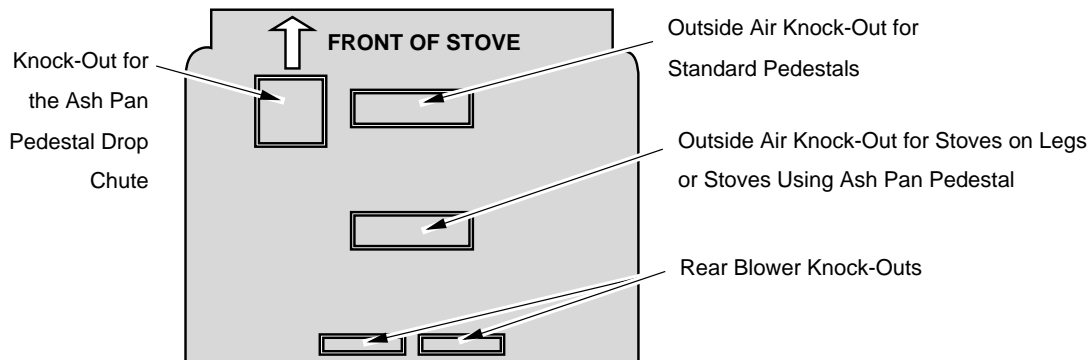
### Using Outside Air with the Rainier or Pendleton Wood Stove

The outside air knock-out must be removed and the cover plate installed when using outside air with the Rainier or Pendleton wood stoves. The 1250 does not require the cover plate or knock-out removal.

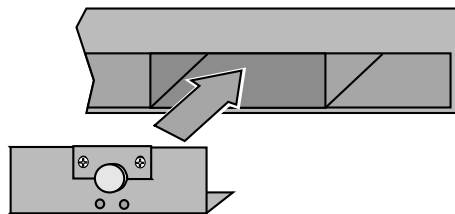
#### Pendleton Outside Air Knock-Out



#### Rainier Outside Air Knock-Out

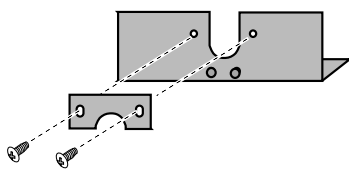


#### Pendleton Cover Plate

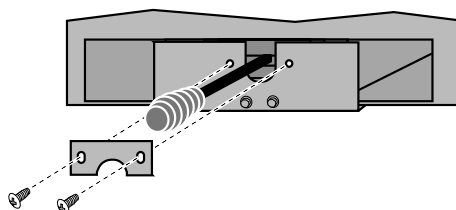


Make sure the button plug is installed in the center of the cover plate. The cover plate slides in below the ashlip and covers the air inlet channel. It has two clips which slide over the base of the stove, securing it in place.

#### Rainier Cover Plate



Remove the bridge from the cover plate.



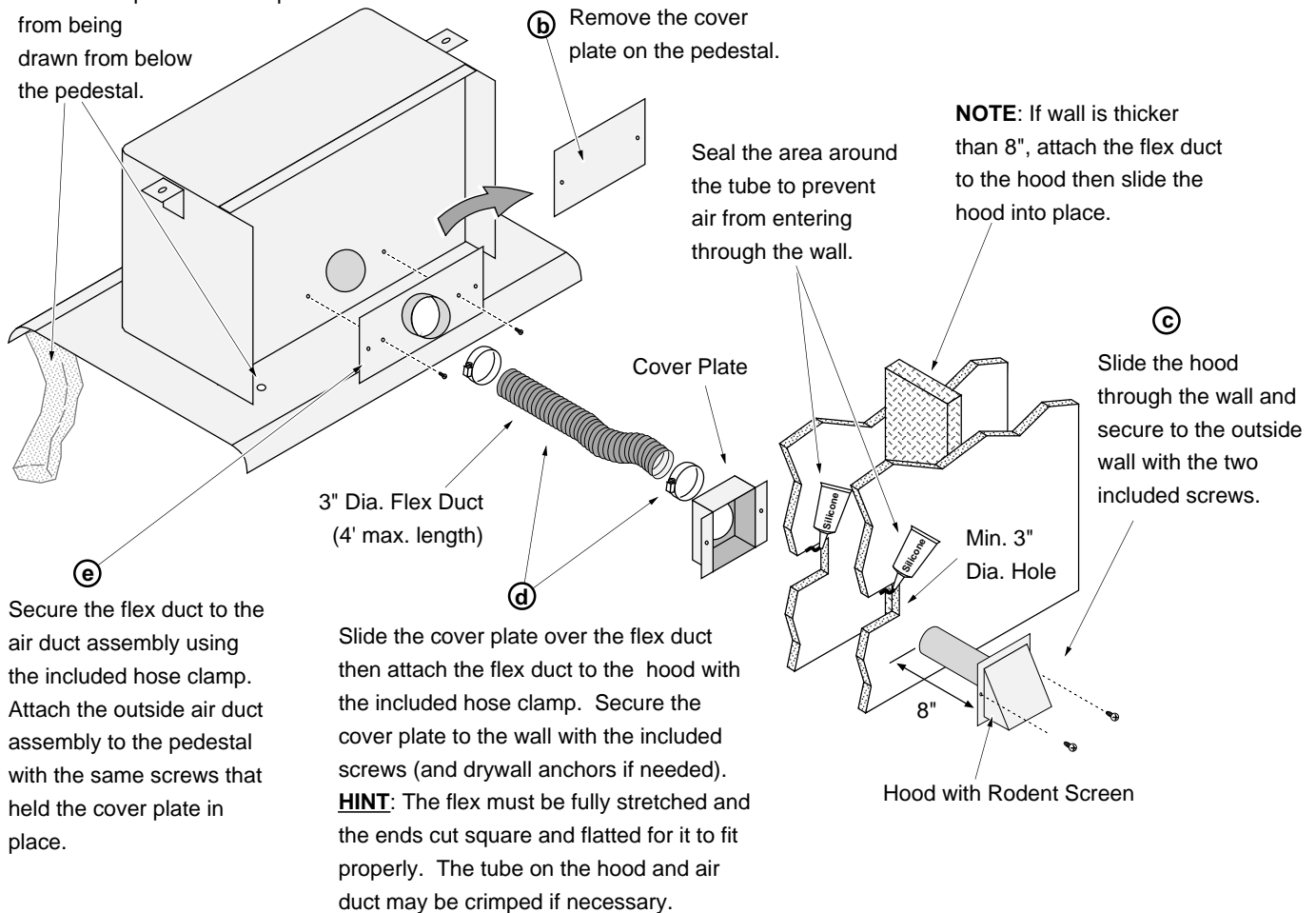
The cover plate slides in below the ashlip and covers the air inlet channel. It has two clips which slide over the base of the stove, securing it in place. Re-attach the bridge to complete cover plate installation.

### Outside Air Installation – Using the Outside Air Kit (99200139)

**a**

Tuck insulation (included with the pedestal) under both sides of the pedestal and under the holes on the base of the pedestal. This prevents air from being drawn from below the pedestal.

**b** Remove the cover plate on the pedestal.



**NOTE:** If wall is thicker than 8", attach the flex duct to the hood then slide the hood into place.

**c**

Slide the hood through the wall and secure to the outside wall with the two included screws.

3" Dia. Flex Duct  
(4' max. length)

**d**

Slide the cover plate over the flex duct then attach the flex duct to the hood with the included hose clamp. Secure the cover plate to the wall with the included screws (and drywall anchors if needed). **HINT:** The flex must be fully stretched and the ends cut square and flatted for it to fit properly. The tube on the hood and air duct may be crimped if necessary.

**e**

Secure the flex duct to the air duct assembly using the included hose clamp. Attach the outside air duct assembly to the pedestal with the same screws that held the cover plate in place.

Hood with Rodent Screen

## Outside Air Installation – Through the Pedestal into the Crawl Space

This pedestal has an internal air duct that may be used to direct air to the firebox. Outside air is then drawn from the crawl space under the stove (check with local building codes for requirements in your area). See the directions below for installation details.

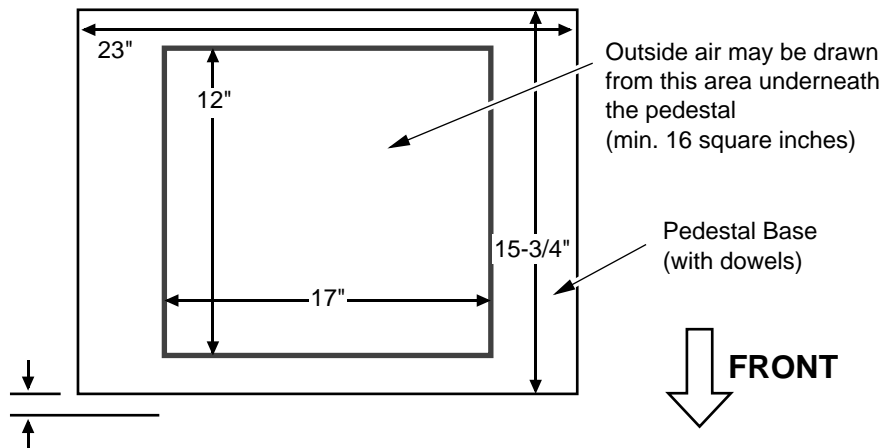
- 1 Determine the location of the hole placed under the pedestal. The illustration below details the location of the pedestal in relation to the front of the stove. The hole should be at least 16 square inches.

### Top View

The faceplate of the Pendleton is 1-1/8" in front of the forward edge of the pedestal base.

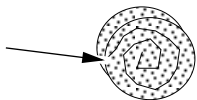
The faceplate of the Rainier is even with the forward edge of the pedestal base.

The faceplate of the 1250 is 1/4" in front of the forward edge of the pedestal base.



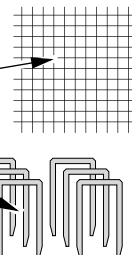
- 2 Attach the included screen over the hole (staples are included with the pedestal). Tuck insulation under both sides of the pedestal and under the holes in the base of the pedestal (see step "a" on the previous page). This prevents air from entering under the pedestal.

Insulation is used to seal the side edges of the pedestal .



Screen is used to prevent rodents from entering.

Staples are used to attach the screen to the floor.



- 3 Attach the stove to the pedestal.