

Compatibility:

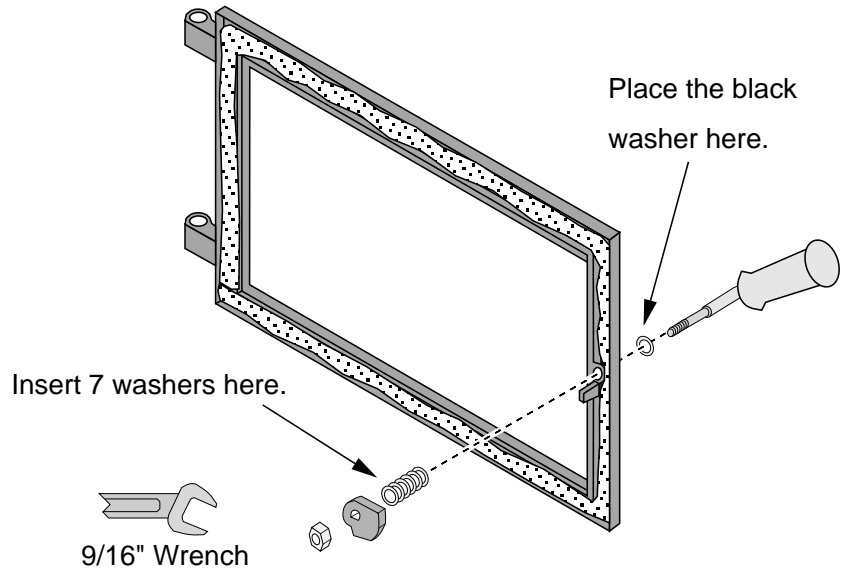
- 1250 Wood Stove
- 1750 Wood Stove

Packing List:

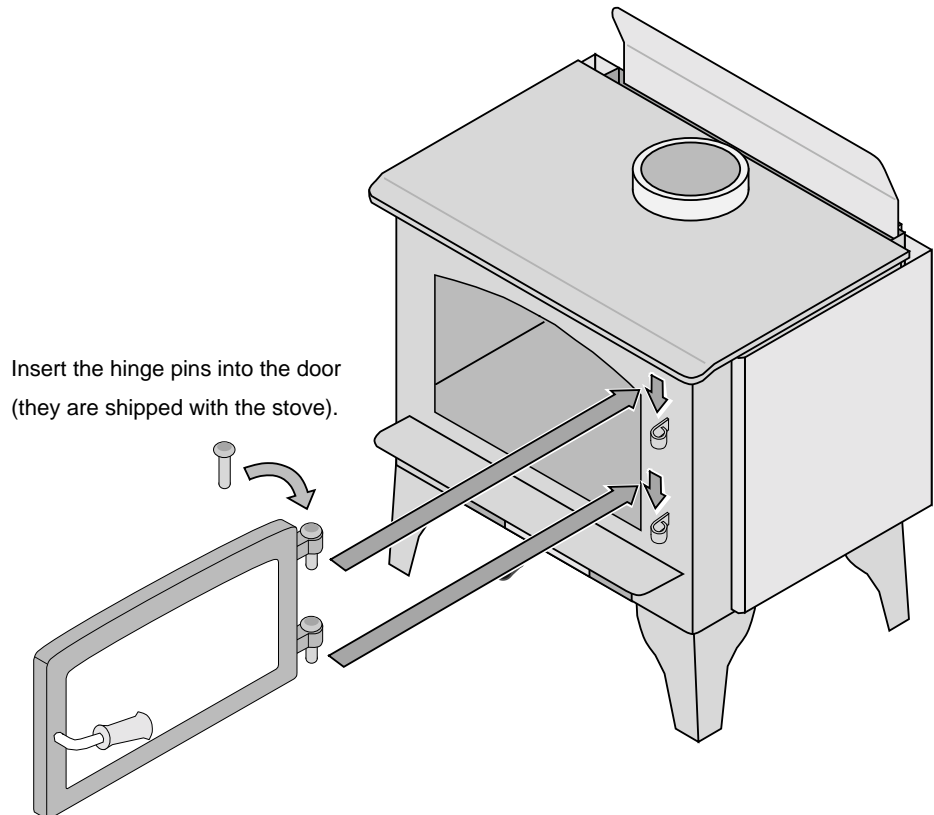
- Door
- Handle Assembly

Installation

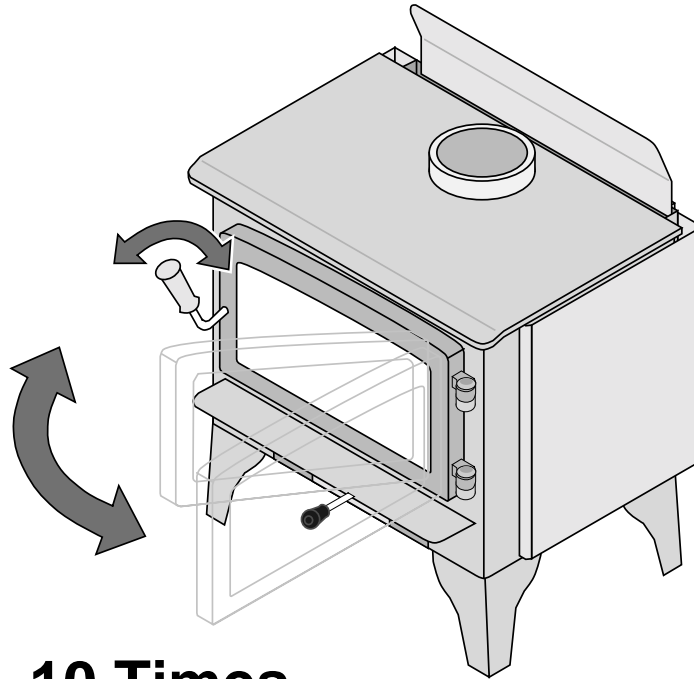
- 1 Install the handle onto the door..



- 2 Install the hinge pins (shipped with the stove) into the hinges on the door. Hold the door at a 90° angle to the stove and hang in place.



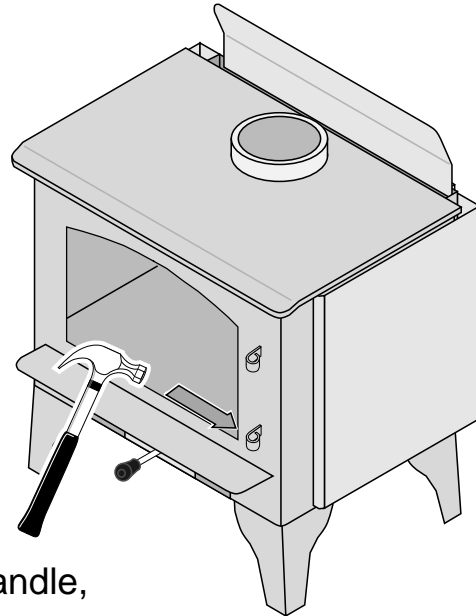
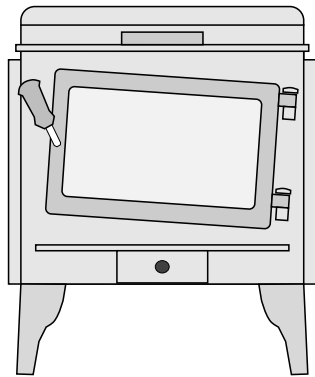
- 3 Open, close, and latch the door 10 times. You may need to “slam” the door the first couple of times to properly seat the door gasket. Make sure the door handle is in the open position so the door cam does not strike the face of the stove. This process also helps insure the door cam is working properly.



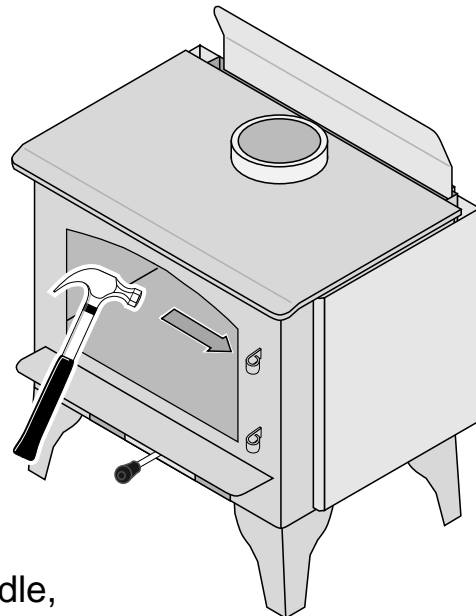
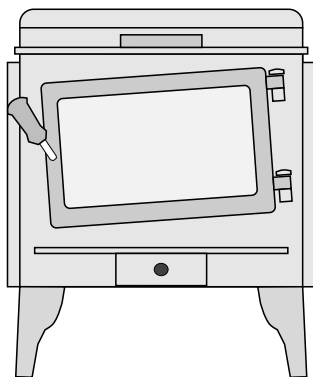
10 Times

4 Verify door alignment.

HINT: When adjusting the hinges, use a consistent “tap” to bend the hinge. This allows you to gauge how much affect each tap makes.

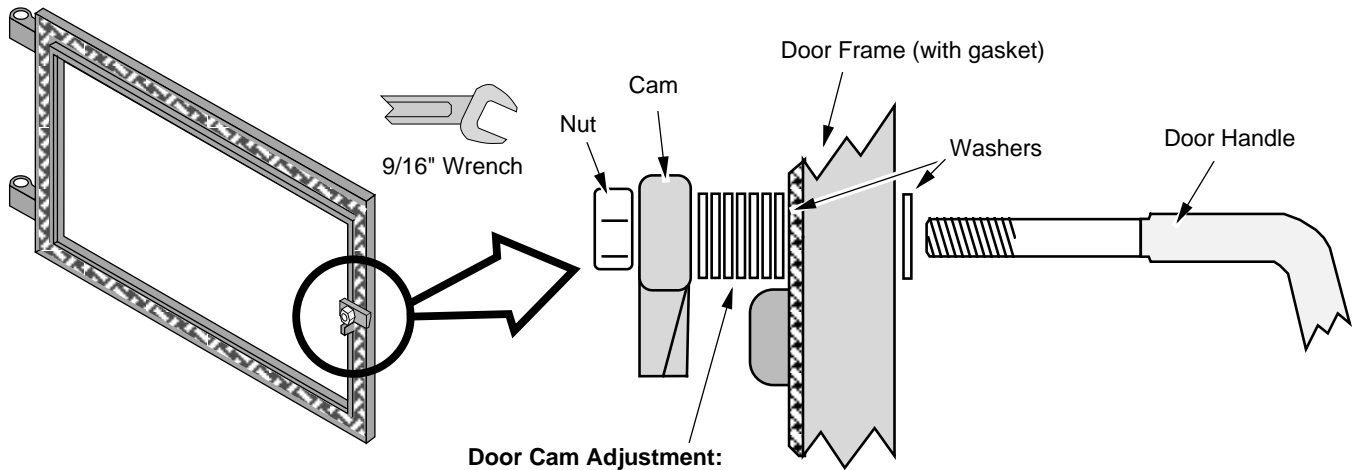


If the door tilts up at the handle,
bend the lower hinge out slightly.



If the door tilts down at the handle,
bend the upper hinge out slightly.

- 5 The door latch should pull the door against the face of the stove (but not so tight as to not allow full handle rotation). If the latch requires adjustment, follow the directions below.



Door Cam Adjustment:

To tighten the door cam, remove the door handle and discard one of the washers between the door frame and cam. To loosen the door cam, add a washer between the door frame and cam.