



# 564 SS Grill Installation

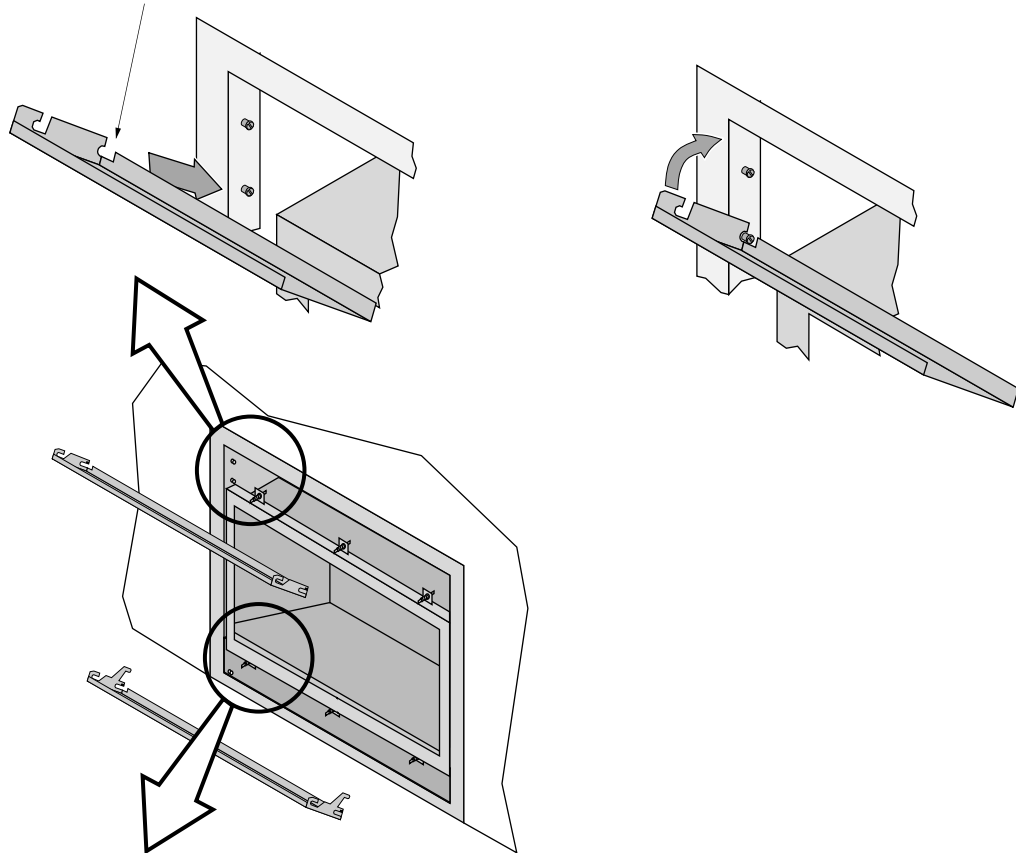
SKU # 96200804 - 96200808

**NOTE:** The glass frame should be in place before installing the grills.

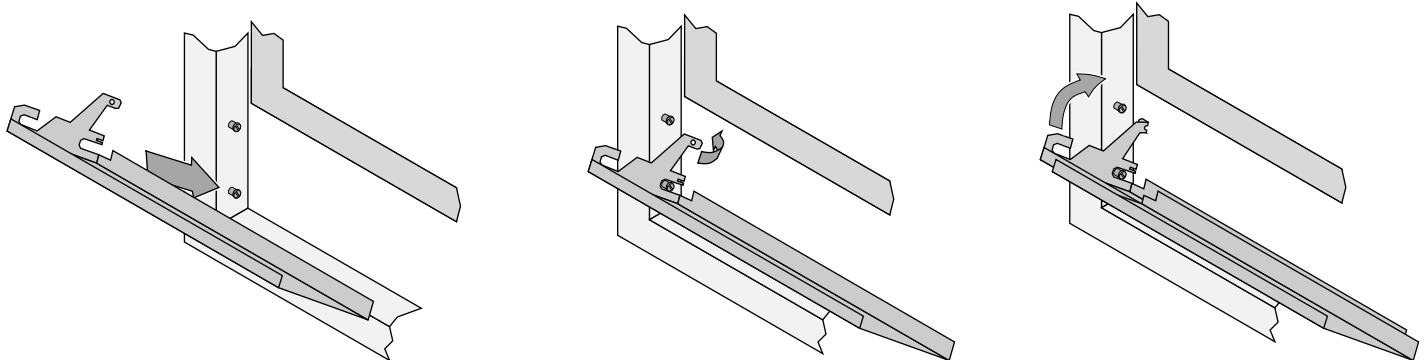
## Upper Grill Installation

Hold the grill at an angle and insert the lower slot over the lower bushing on the fireplace (both sides)

Swing the grill upwards to engage the upper slot. You will need to lift the grill slightly to get it over the bushing. Once in place the grill is held in place by gravity.



## Lower Grill Installation



Hold the grill at an angle and insert the lower slot over the bushing on the fireplace (both sides). You may need press on the grill to get the tab over the bushing (this prevents the grill from accidentally falling off).

Bend the tab outward on both sides. This is the end-stop for the lower grill, it allows the grill to swing forward.

Swing the grill upwards to engage the upper slot. You will need to lift the grill slightly to get it over the bushing. Once in place the grill is held in place by gravity.



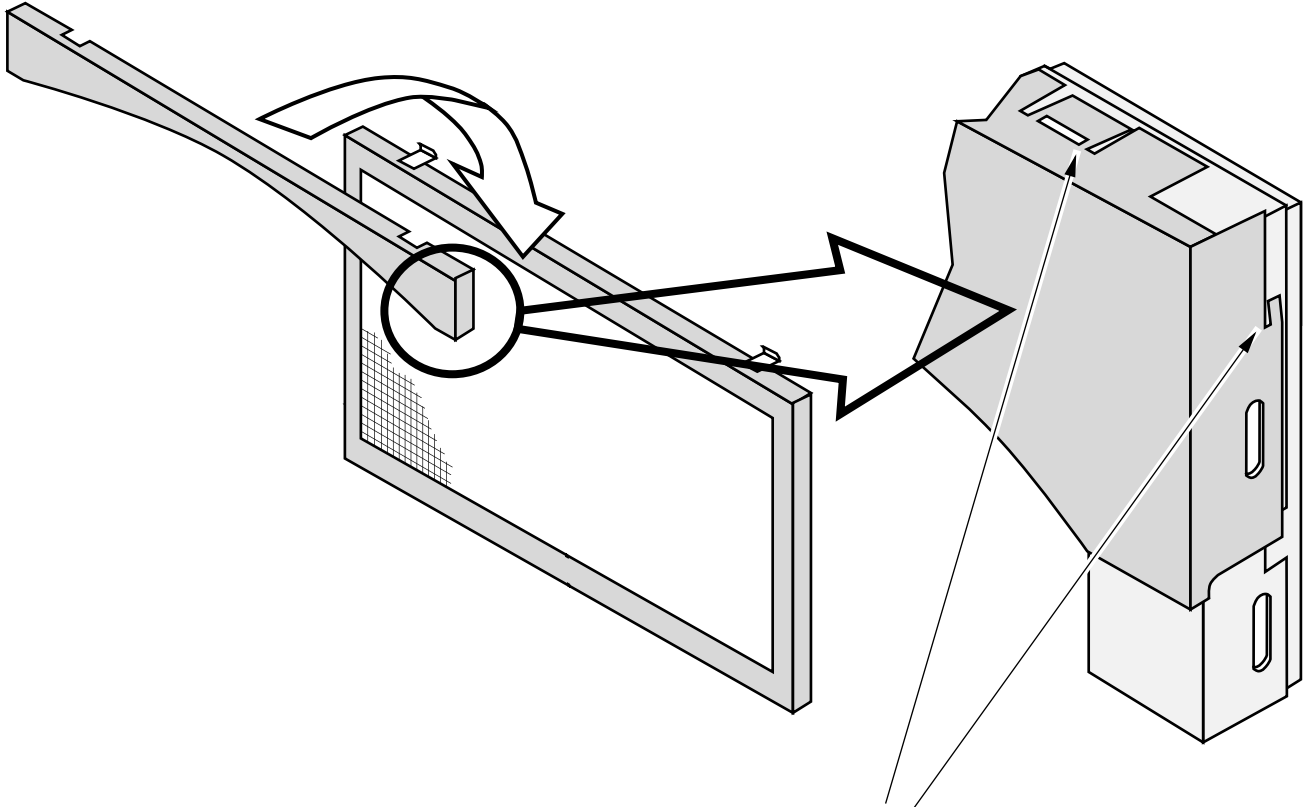
# 564 SS Grill Installation

SKU # 96200801 - 96200804 - 96200808

## FPX GRILLS ONLY:

Remove the glass frame to install the optional glass frame cover.

Place the cover over the top of the door frame.



Push these tabs inwards  
to lock the cover in place.