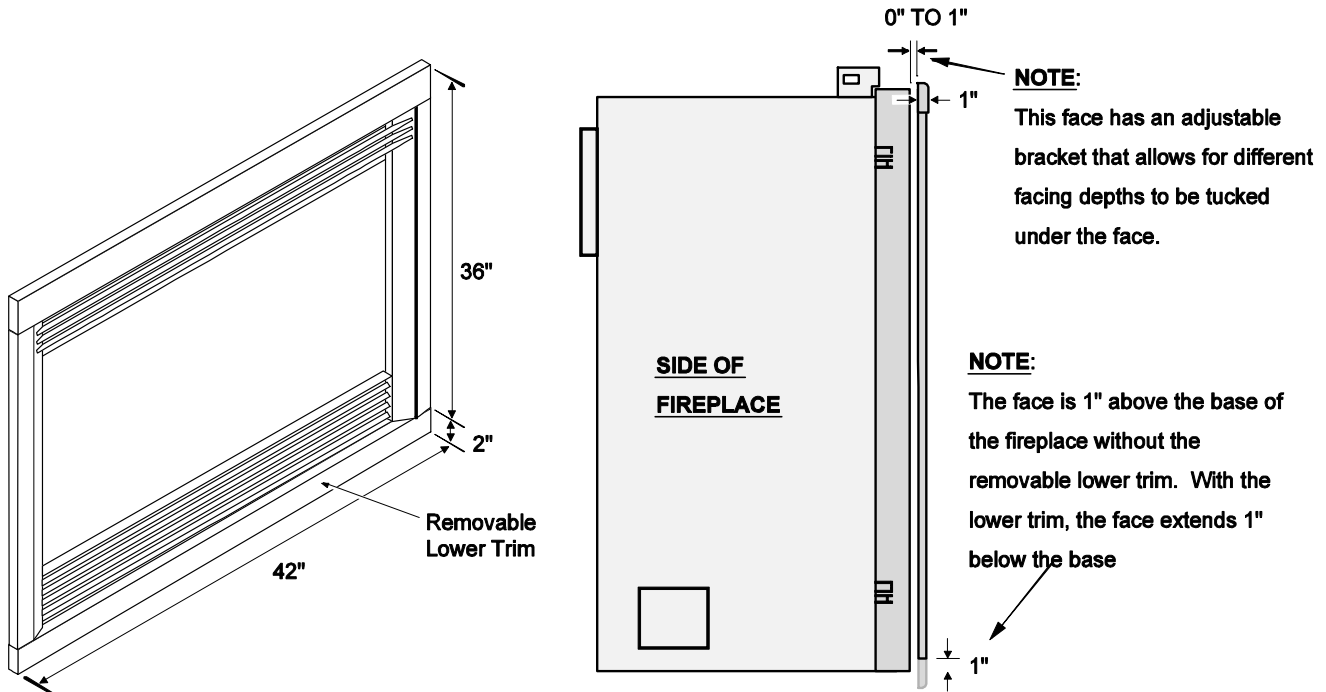


Packing List

- Face
- (6) #8-3/8" Face Attachment Screws

Face Details



Installation

- 1 Remove the four lock-ties used for shipping (see Figure 1). The face is shipped with the lower trim in place (see Figure 1). This piece is left in place for installations with a lowered hearth. If the hearth is at the same level as the base of the fireplace, remove this trim.

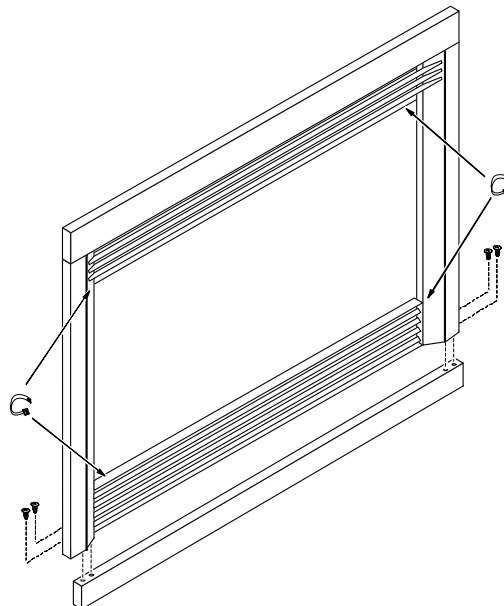


Figure 1

Rosario Winthrop (864) Face Installation Instructions (sku 95800387)

- 2 Remove the glass frame from the fireplace.
- 3 Attach the face to the fireplace using the included screws (see Figure 2).

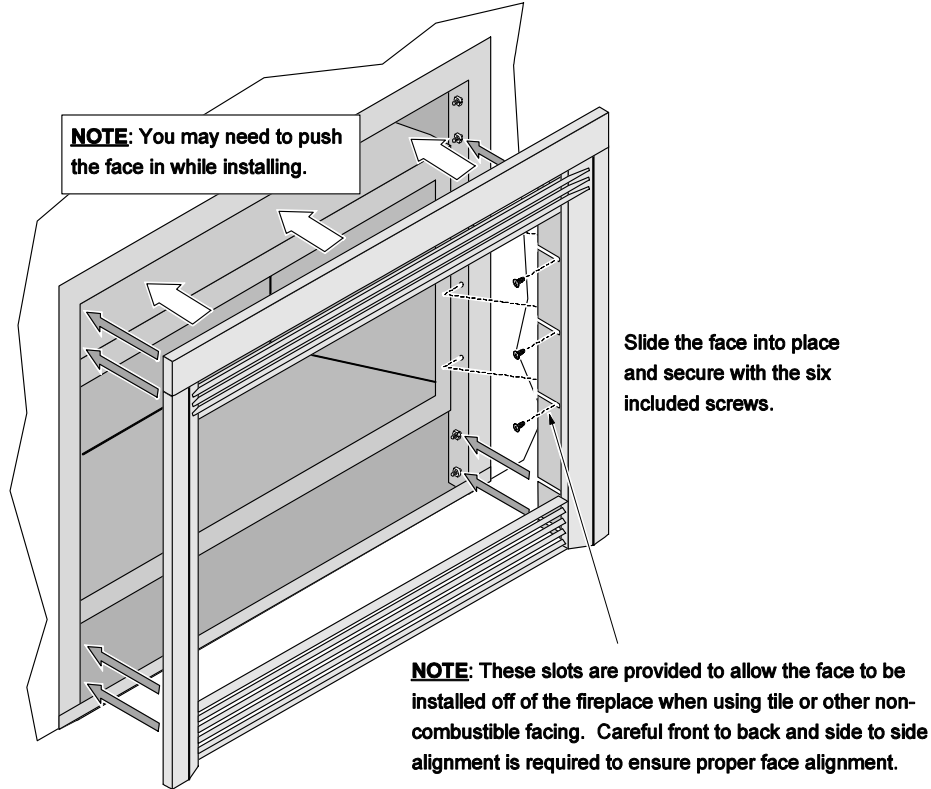


Figure 2

- 3 The upper grill will need to be removed and the lower grill swung down to access the glass latches (see Figure 3). Replace the glass and restore the fireplace to the correct configuration.

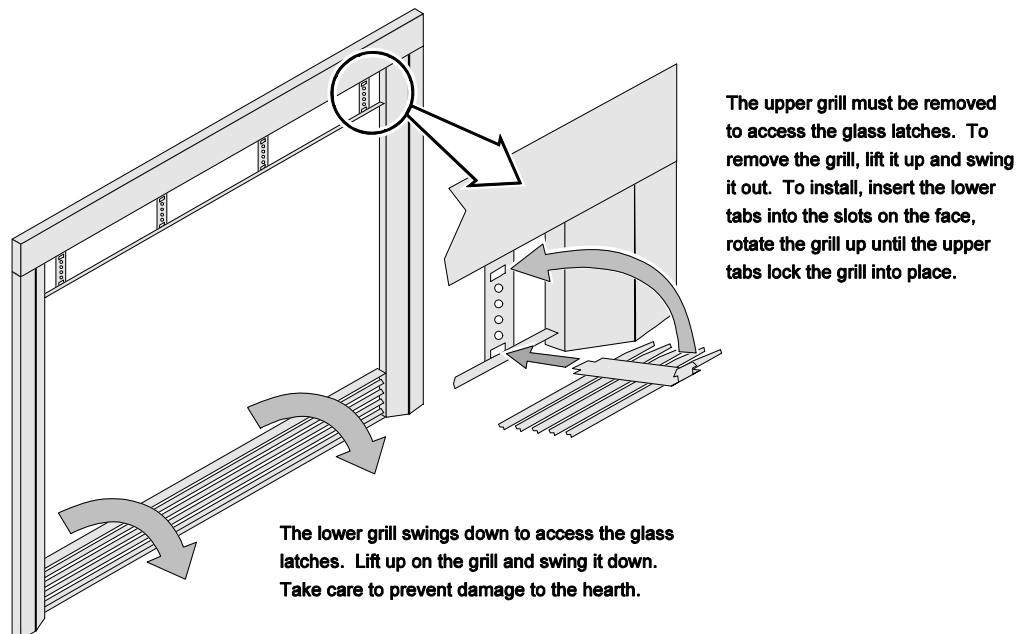


Figure 3