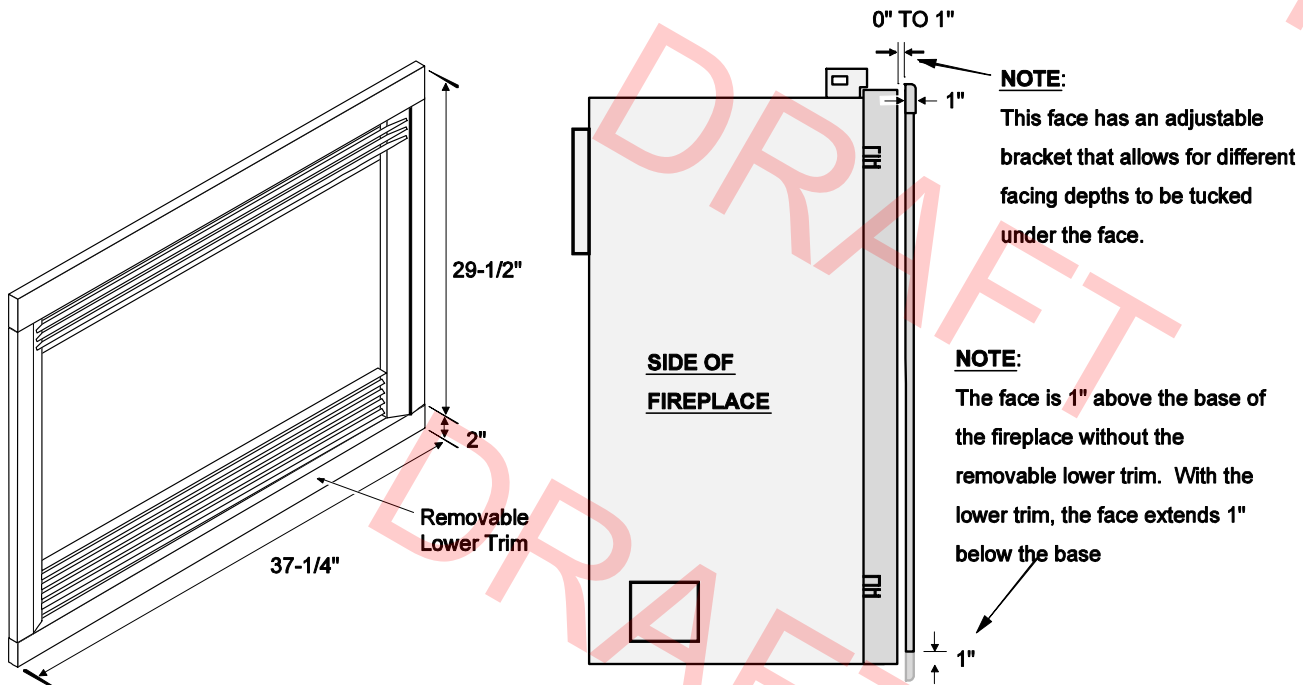


**Packing List**

- Face
- (6) #8-3/8" Face Attachment Screws
- Glass Latch Tool

**Face Details**



**Installation**

- 1 Remove the two lock-ties used for shipping (see Figure 1). **NOTE:** You may wish to remove the upper grill and place it aside before proceeding (see Figure 4). The face is shipped with the lower trim in place (see Figure 1). This piece is left in place for installations with a lowered hearth. If the hearth is at the same level as the base of the fireplace, remove this trim.

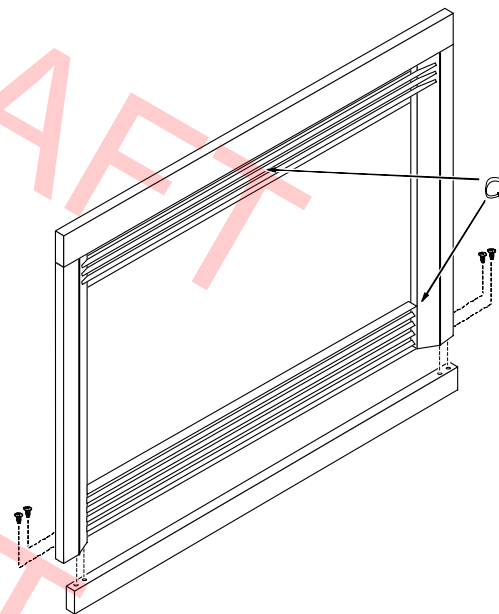


Figure 1

- 2 Remove the glass frame from the fireplace.
- 3 Follow the directions below to re-position the center deflectors and verify the heat shield support (see Figure 2).

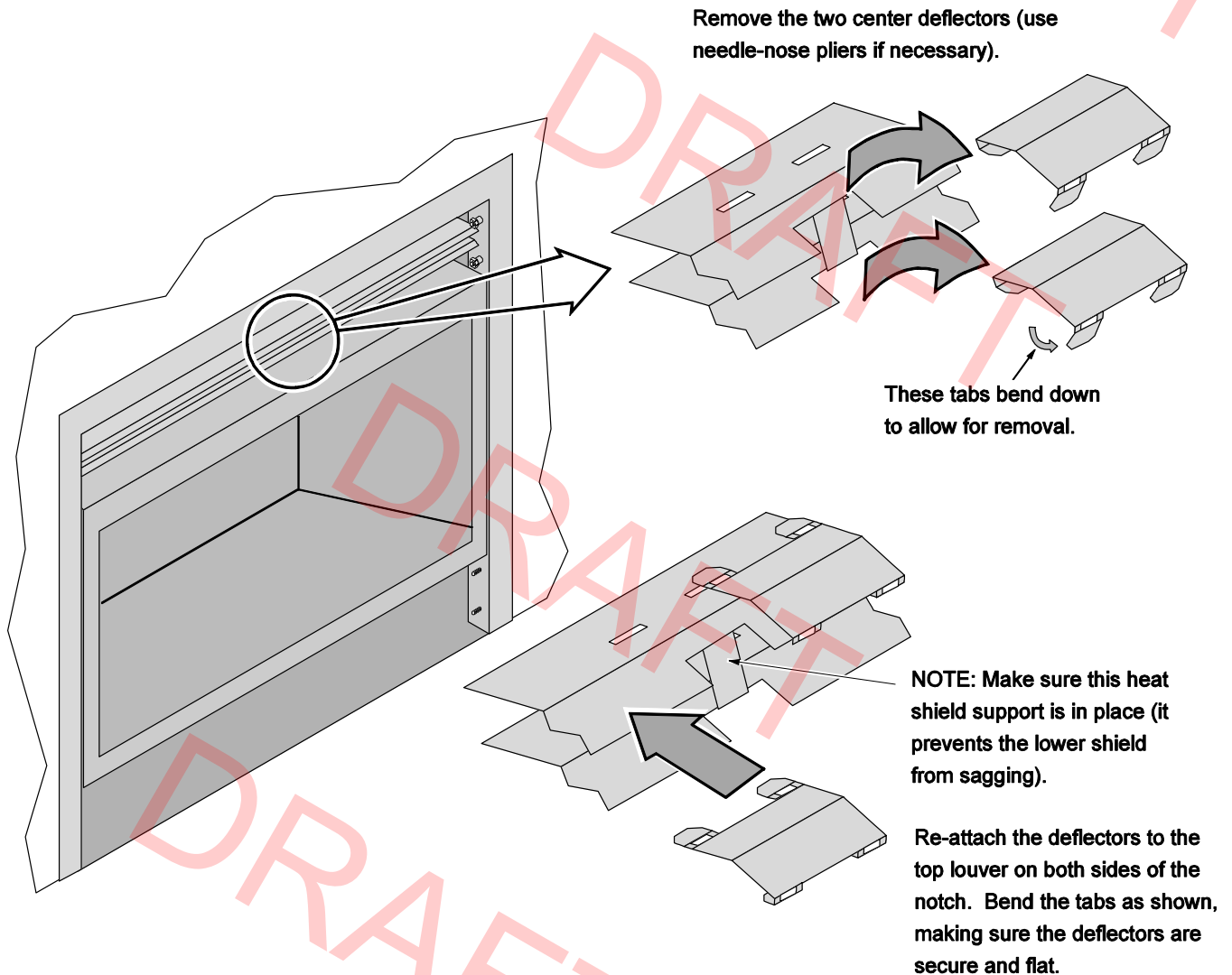


Figure 2

- 4 Attach the face to the fireplace using the included screws (see Figure 3).

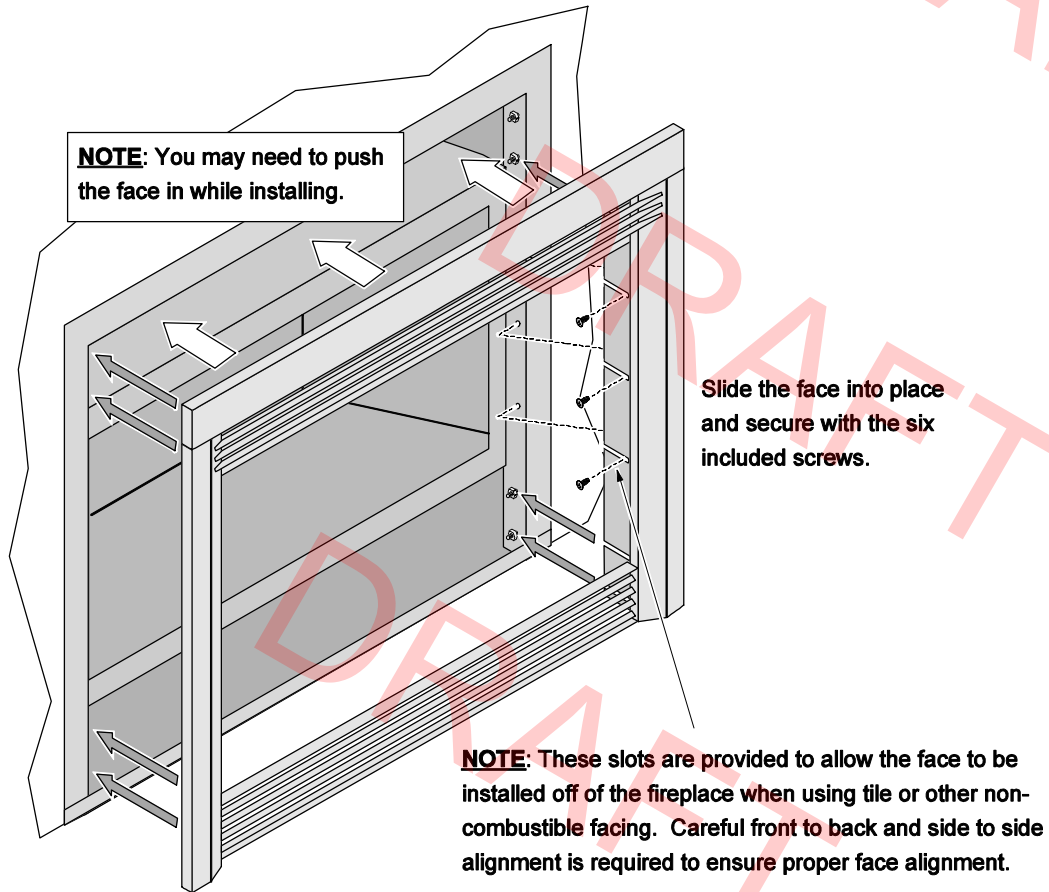


Figure 3

