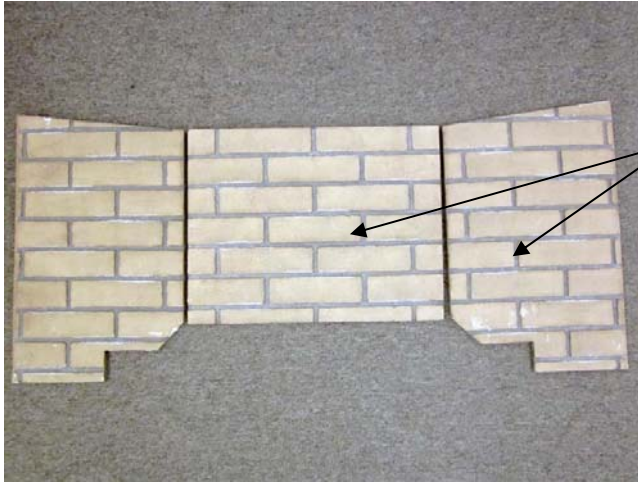


Compatibility

- 616 GSR, GSR2 SKU's: 96100924, 926, 927, 928, 929
- 430 GSR2 SKU's: 96100917, 918, 919, 920, 921

Packing List



- Rear, Left and Right Firebacks

NOTE FOR CERAMIC FIREBACKS:

The rear fireback is rectangular and must be placed right-side-up. Lay the firebacks on a flat surface prior to installing to verify the grout lines are aligned.

STAINLESS STEEL WARNINGS

HANDLING THE FIREBACKS: The stainless steel firebacks are shipped in vinyl to prevent marring the surface of the stainless steel. Remove the vinyl prior to installation. **Wear clean gloves when installing the firebacks** to prevent fingerprints on the surface (or use a rag or paper towel to handle the firebacks).

COLORATION AND CLEANING: These stainless steel firebacks will obtain a slight "patina" (brown tint) after use. Do not clean the firebacks. This patina becomes consistent. Any cleaning may lead to unequal coloring. If soot forms on the fireback, we recommend brushing it off with a soft cloth or brush.

CLEANING ENAMEL FIREBACKS

We recommend cleaning the enamel surface with glass cleaner and a soft cloth.

CURING BLACK PAINTED FIREBACKS

The black painted firebacks will fully cure under heat. Run the appliance on low for several hours to cure the paint. The firebacks may be touched-up using Forrest "Metallic Black" paint.

Installation

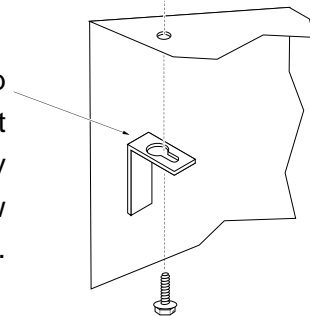


The firebacks are installed with the burners removed.
See the owner's manual for full details on order of installation.

1. Remove the burner (see Owner's Manual).
2. Remove the two side fireback clips from the firebox ceiling. They are located at the outward edges of the firebox near the glass opening.



The side fireback clip has a keyhole slot. It can be removed by loosening the screw and sliding the clip out.

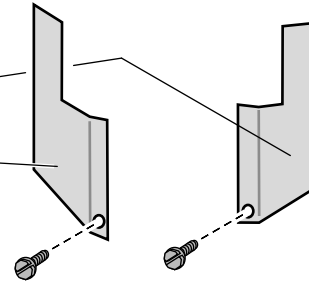


3. Place the rear fireback inside the firebox as shown below.



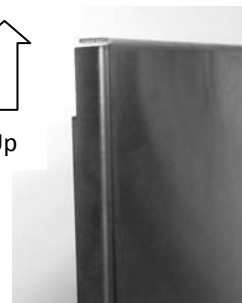
430 Light Shields

Remove the two light shields on the 430 before installing the fireback. Replace after firebacks are in place.



Metal Fireback Orientation

Make sure the notch is upwards when installing.



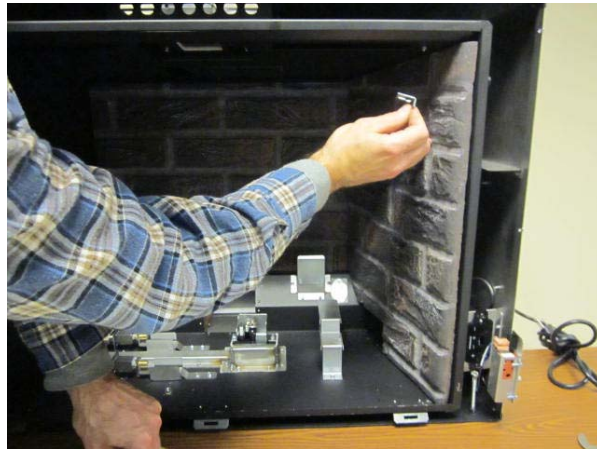


616 / 430 Fireback Installation Instructions

4. While holding the rear fireback, install the right fireback into the firebox as shown below.



5. Replace the right fireback clip to secure the right fireback in place



6. Install the left fireback and secure using the fireback clip. The firebox should now look like the photo below.

