

# *Large Flush Hybrid-Fyre® Wood Insert*



*Super Clean  
Burning  
**0.58**  
Grams/Hour*

*Available with GreenStart® Igniter Option*

# Large Flush Hybrid-Fyre® Wood Insert

The Avalon® Large Flush Wood Hybrid-Fyre® insert features the World's cleanest burning technology and a fire viewing area like never before. The fusion of advanced wood combustion and catalytic technology have given us the ultra-green, Hybrid-Fyre®. Primary combustion for this unit occurs in the firebox and secondary tubes help re-burn the gases before they leave the firebox. Those unburned gases are then passed through the catalytic combustor further reducing emissions and carbon monoxide. Because of this hybrid technology, virtually no smoke exits the appliance. This super clean burning insert boasts emissions of only 0.58 grams an hour as well as virtually no carbon monoxide output throughout all burn cycles. The insert burns wood, the most inexpensive fuel as well as a renewable resource. The unit is capable of heating up to 2,500 sq. feet, with up to a 12 hour burn time.



*Shown with Times Square™ face*

EPA Phase II Approved** 0.58 Grams/Hour	Overall Heating Efficiency 80.3%**	Heating Capacity Up to 2,500 Sq. Ft.*	Up to 24" Log Length	Up to 12 Hour Burn Time	3.0 Cubic Foot Firebox	Heavy Gauge Plate Steel Construction 5/16" & 1/4"	Kiln-Fired Masonry Lined Firebox
--	---	---	-------------------------	-------------------------------	------------------------------	---	--

\* Heating capacity will vary depending on the home's floor plan, degree of insulation, and the outside temperature. It is also affected by the quality and moisture level of the fuel.

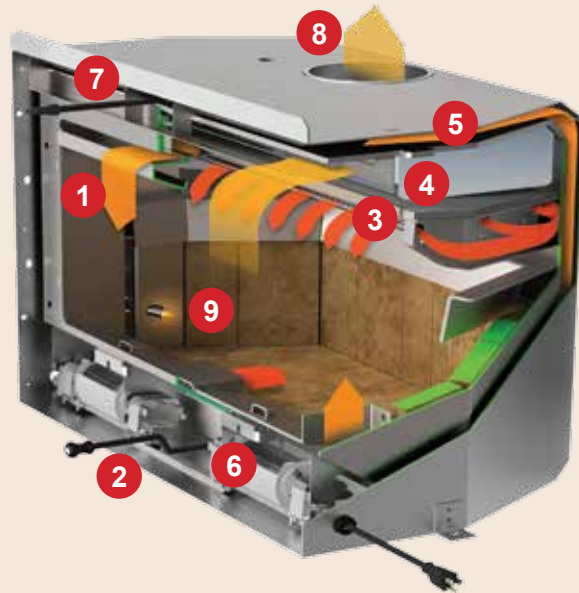
\*\*This model was tested for efficiency using method B415.1-10 and was determined to have a weighted average Higher Heating Value (HHV).



## Hybrid-Fyre® Technology - The Cleanest & Greenest Technology Ever!

The Large Flush Wood Insert is by far, the cleanest burning, large insert on the market, featuring elevated craftsmanship and Avalon styling as well as the cutting edge, Hybrid-Fyre® Technology. The combination of the catalytic combustor and air tubes is what creates this unique and ultra efficient Hybrid-Fyre® technology.

1. Pre-heated combustion air helps the glass stay clean & the insert burn efficiently.
2. A single air control helps regulate the fire with ease.
3. Re-combustion air tubes combined with an insulated baffle slows down the fire and re-burns the particulate.
4. Catalytic combustor incinerates any left over particulate, burning up to 99.5% of the flue gases and all but eliminating any carbon monoxide.
5. Room air is re-circulated through the air convection chamber made of 5/16" steel for maximum heat transfer and efficiency.
6. Hot air is pushed into your room with two fans, each rated at 90 cfm.
7. Bypass damper allows for smoke free start-up and reloading.
8. 6" flue makes for easy installation.
9. Add the optional GreenStart® igniter to start your fire with a push of a button.



## Decorative Face Options



*Times Square™ Face*  
37-3/4" W x 25-3/4" H



*Universal™ Face*  
35-7/16" W x 26-1/4" H



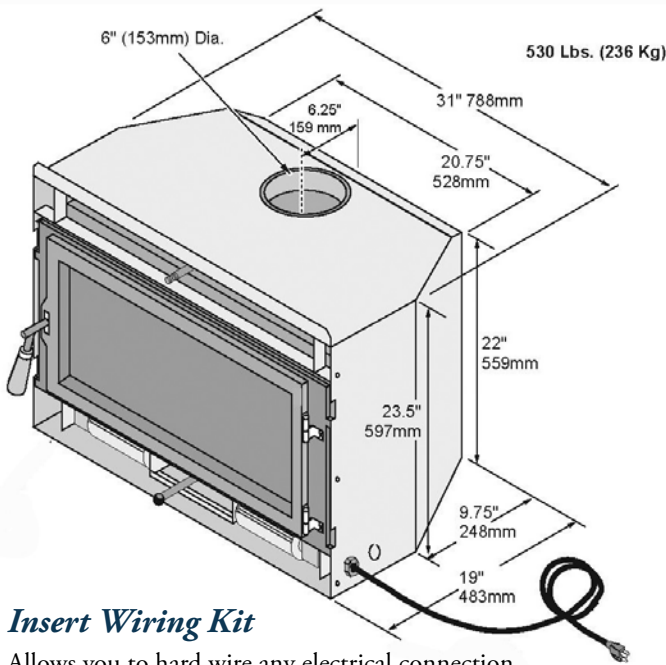
*Cypress™ face featuring built-in halogen Accent Lights*  
40" W x 26-1/4" H

## GREEN START® One Touch Ignition Option

At the push of a button 1400 degree pre-heated air enters the firebox starting your fire within minutes. All while your door stays closed! Also works to refresh new life into your coal bed when reloading fuel.



# Large Flush Wood Insert Installation Guide *Always refer to the Owner's Manual for installation requirements!*



## Insert Wiring Kit

Allows you to hard wire any electrical connection within the firebox eliminating the power cord running across the hearth.

## Installation

We suggest that you have an authorized Avalon dealer install your fireplace insert. If you install the fireplace insert yourself, your authorized dealer should review your installation plans.

The Large Flush Wood Hybrid-Fyre® Insert is designed for installation in masonry fireplaces and factory-built metal (Z.C.) fireplaces. Check with your local building officials for any permits required for installation of this fireplace insert and notify your insurance company before proceeding with installation.

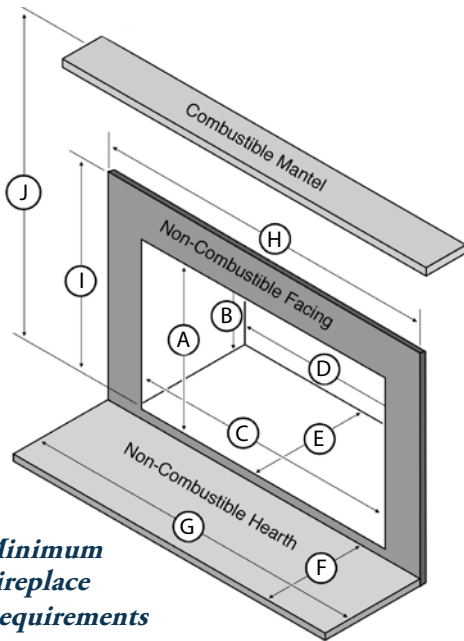
The Large Flush Wood Hybrid-Fyre® Insert must be installed with a full chimney reline (*See Owner's Manual for details*).

Venting Options available for the Large Flush Wood Insert.

- Flue Offset - Provides 4" to 7" of offset between insert outlet and chimney liner.
- Masonry Insert Liner Kits available in 15' 25' and 35' lengths. Includes 6" SS flex liner, insert adapter, top plate and chimney cap
- ZC (Metal) Liner Kits available in 15' 25' and 35' lengths. Includes 6" SS Flex Liner, Insert Adapter, top plate and factory built termination components

## Testing

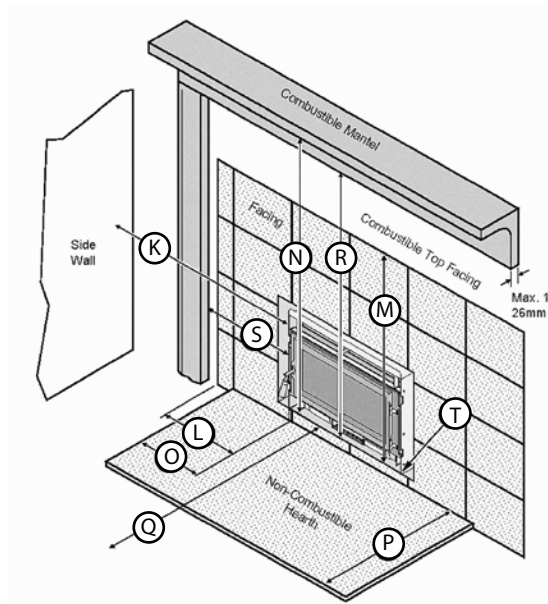
Tested and certified by Intertek Laboratories Inc. Report #500346479PRT-001  
 Safety Tested to U. L. 1482 and ULC S628-1993.



## Minimum Fireplace Requirements

A - Height (Front)	23-1/2" (597mm)
B - Height (Rear)	22" (559mm)
C - Width (Front)	33" (839mm)*
	40" if using the GreenStart® option
D - Width (Rear)	20-3/4" (528mm)
E - Depth	19" (483mm)

\* Includes 2" for power cord. \*\* In USA, a 16" hearth depth may be used if insert is 2" or more above combustible hearth.



## Minimum Clearances to Combustibles

K - Sidewall To Insert	10-1/2" (267mm)
L - Side To Facing	5-1/2" (140mm)
M - Top Facing	37" (940mm)
N - Mantle	41" (1,042mm)
O - Hearth (Side)	8" (204mm)*
P - Hearth Depth	18" (458mm)*
R - Mantle Breastplate	37" (940mm)
S - Mantle Column	5-1/2" (140mm)
T - Extension on Hearth	0"
Q - Any Room Combustible	36" (915mm)

\* See Owner's Manual for complete hearth clearances and R Value requirements.

## Surround Panels for Insert

Designed to finish off the fireplace opening behind the face.

Single Piece Panel Sets

Small - Covers 42" W x 32-1/2" H

Large - Covers 47" W x 35" H

Custom panel sizes available by special order.

**Your Authorized Avalon Dealer Is Located At:**



[www.avalonfirestyle.com](http://www.avalonfirestyle.com)

Photos and illustrations are for descriptive purposes only. We reserve the right to improve or change our products without prior notification. Hybrid-Fyre®, GreenStart® and all other trademarks belong to Travis Industries, Inc. Consult the Owner's Manual for complete installation requirements.

© Copyright T. I. 2015/8

Printed in the U. S. A.

98800569