



Packing List

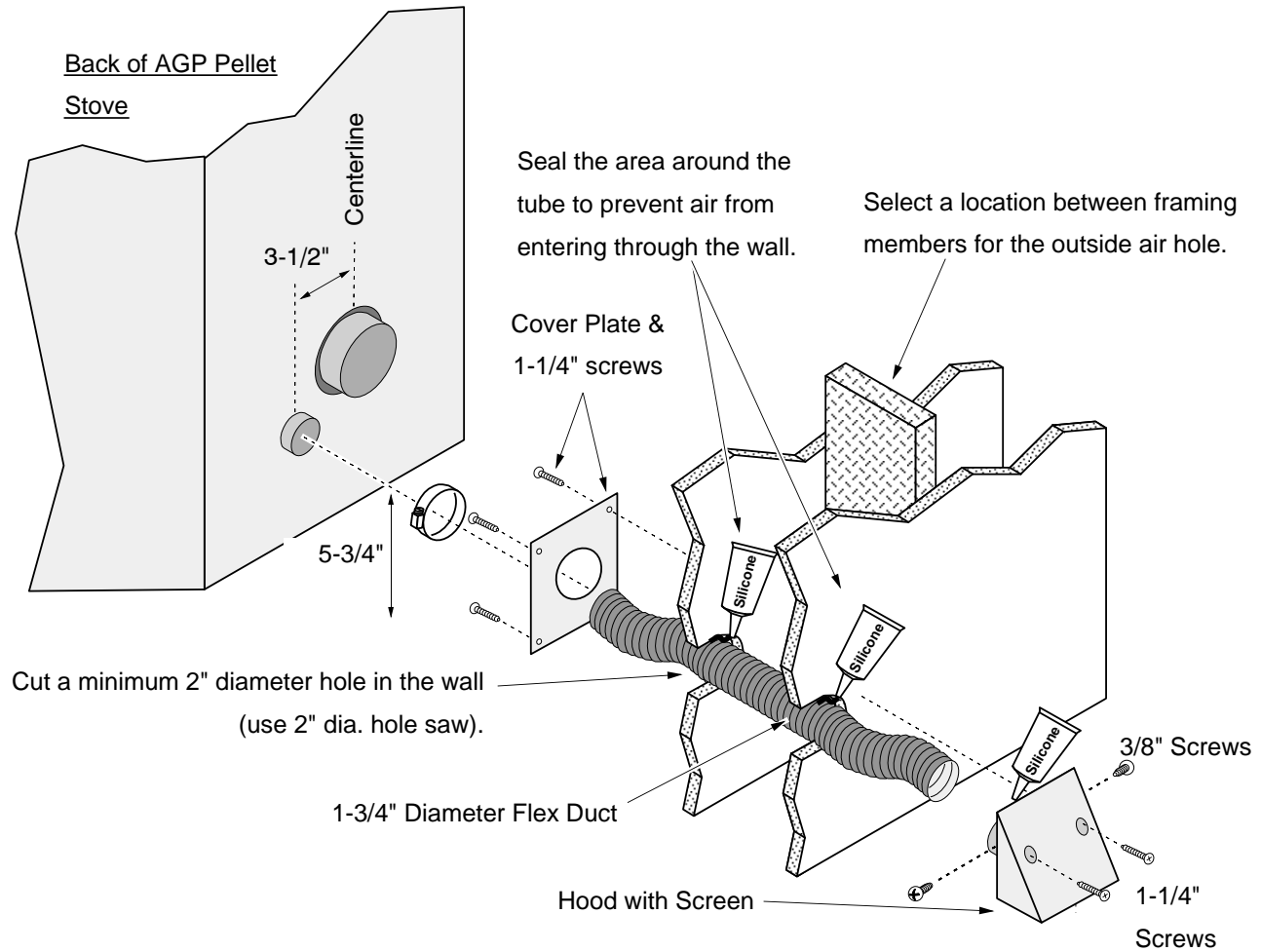
- 1-3/4" Diameter Flex Duct (48" Long)
- Hood with Screen
- Cover Plate
- Air Shutoff Assembly (required only for Canada)
- (3) Hose Clamps
- (2) #8 x 3/8" Screws
- (6) #6 x 1-1/4" Drywall Screws

Compatibility

- AGP Pellet Stove
- AGP Pellet Insert

NOTE: This air kit may be used with earlier Travis pellet stoves. Refer to the manual for air inlet location.

Stove Installation





Insert Installation

On pellet inserts the outside air is routed vertically through a blockoff plate (or non-combustible barrier) or through an ash cleanout. See the installation manual for additional details.

Air Shutoff Assembly

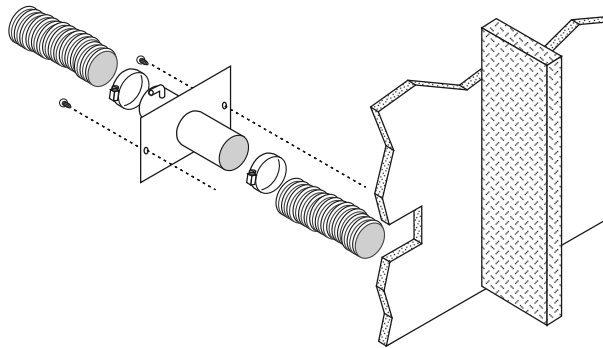
A shutoff assembly is included with this kit for those installations requiring this component (required in Canada). This component is not required unless local code requires its use.



The appliance will not work with the air shutoff in the closed position.

Installation

The shutoff assembly may be secured to the wall and the air inlet connected with the included hose clamps.



Operation

