

## CHECK CONDITION OF SHIPMENT

Upon receipt of this kit, check the condition of the packaging. Damage to the package should be noted on the carrier's freight receipt. Any damage claims as a result of shipping must be handled through the shipper. Travis Industries will provide assistance in resolving shipping claims or replacing items not included in the package. Please report any missing items immediately.

## COMPATIBILITY

- All Travis Gas Stoves & Inserts
- Newport (Avanti) Pellet Stoves & Inserts
- Pioneer (Heritage Bay) Pellet Stoves & Inserts

## ITEMS NEEDED FOR ASSEMBLY

You may need tools for to access the on/off switch on gas heaters - refer to the instructions below and in the owner's manual.

## PACKING LIST

- Receiver
- Transmitter
- Receiver Hanger
- Pellet Stove Connector Wires
- Gas Stove Connector Wires
- 3 AAA Batteries

## FCC REQUIREMENTS

**Warning:** Changes or modifications to this unit not expressly approved by the party responsible for compliance could void the user's authority to operate the equipment. This equipment has been tested and found to comply with the limits for a Class B digital device, pursuant to Part 15 of the FCC Rules. These limits are designed to provide reasonable protection against harmful interference in a residential installation. This equipment generates, uses, and can radiate radio frequency energy and, if not installed and used in accordance with the instructions, may cause harmful interference to radio communications. However, there is no guarantee that interference will not occur in a particular installation. If this equipment does cause harmful interference to radio or television reception, which can be determined by turning the equipment off and on, the user is encouraged to try to correct the interference by one or more of the following measures:

- Reorient or relocate the receiver.
- Increase the separation between the equipment and receiver.
- Connect the equipment into an outlet on a circuit different from that to which the receiver is connected.
- Consult the dealer or an experienced radio TV technician for help.

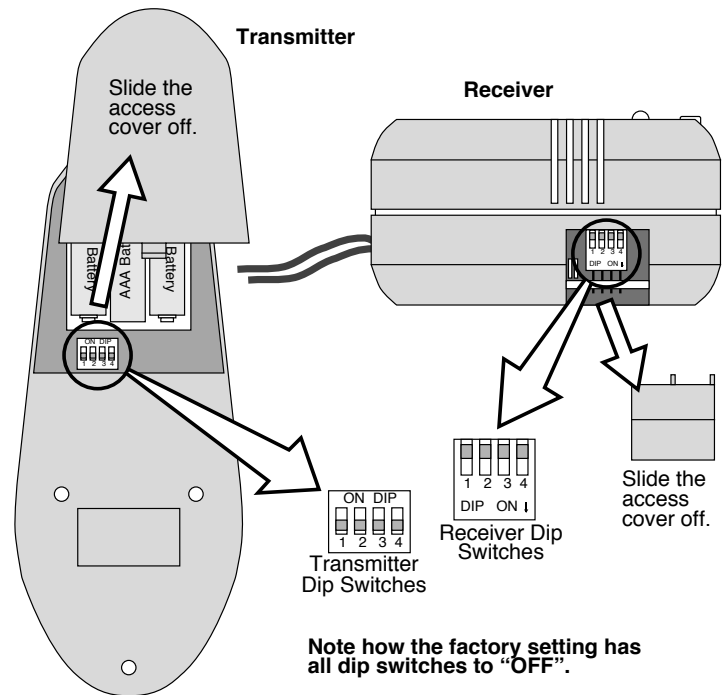
## CANADIAN EQUIPMENT REQUIREMENTS

This digital apparatus does not exceed the (Class A/Class B) limits for radio noise emissions from digital apparatus set out in the Radio Interference Regulations of the Canadian Department of Communications. Le present appareil numerique n'emmet pas de bruits radioelectriques depassant les limites applicables aux appareils numeriques (de la class A/de la class B) prescrites dans le Reglement sur le brouillage radioelectrique edicte par le ministere des Communications du Canada.

This device complies with RSS-210 of Industry and Science Canada. Operation is subject to the following two conditions: (1) this device may not cause interference, and (2) this device must accept any interference, including interference that may cause undesired operation of the device.

## INSTALLATION INSTRUCTIONS

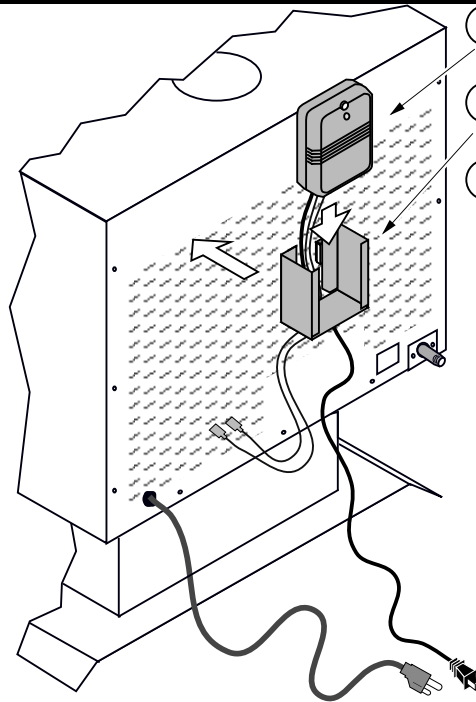
- ! Shut off power to the appliance and allow it to cool prior to installation.
  - ! This kit must be installed by a qualified technician.
  - ! All 110 VAC wiring must be done by a qualified electrician and shall be in compliance with local codes and the National Electric Code ANSI/NFPA No. 70 (in the United States), or with the current CSA C22.1 Canadian Electric Code (in Canada).
  - ! Do not connect 110 VAC to the gas control valve or on/off switch on gas heaters or the thermostat posts on pellet heaters.
- 1 Remove the cover from the back of the transmitter and receiver. Slide the code switches to a random position on the receiver. Then position the switches on the transmitter to match the dip switch positions on the receiver. Prior to replacing the cover, place three AAA batteries inside the transmitter.



## Gas Stove Installation

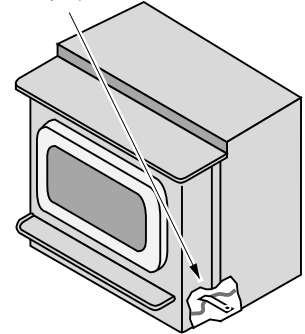
Place the receiver, with holder, on the back of the heater and route the receiver wires to the on/off switch (see the illustration below). Connect the receiver power cord to a 110 VAC outlet.

Attach one receiver and one gas control valve wire (orientation does not matter) to each gas stove connector wire - then attach the gas stove connector wires to the on/off switch (see the illustration at the bottom of the page).



- (a) Place the receiver into the holder with the wires exiting the rear.
- (b) Place the holder against the rear panel. Route the power cord to a 110 VAC outlet.
- (c) **Stoves with the on/off switch in back:** Route the thermostat wires through the rear panel, to the on/off switch (refer to the owner's manual for details on accessing the back of the on/off switch).

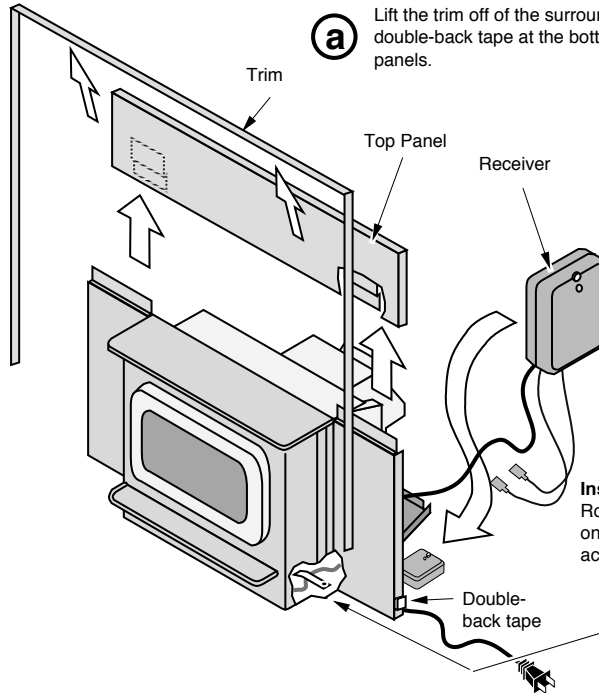
**Stoves with the on/off switch in front:** Route the thermostat wires through the rear panel, along the base, under the wire clip (make sure the wires do not contact the burner pan).



## Gas Fireplace Insert Installation

Place the receiver, with holder, on the back of the right side surround panel and route the receiver wires to the on/off switch (see the illustration to the right). Connect the receiver power cord to a 110 VAC outlet.

Attach one receiver and one gas control valve wire (orientation does not matter) to each gas stove connector wire - then attach the gas stove connector wires to the on/off switch (see the illustration below).



- (a) Lift the trim off of the surround panels (you may need to peel the trim off the double-back tape at the bottom of the panels). Lift the top panel off the side panels.

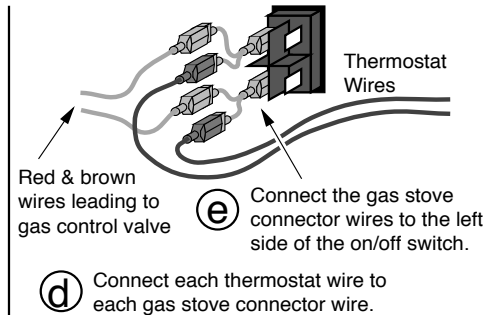
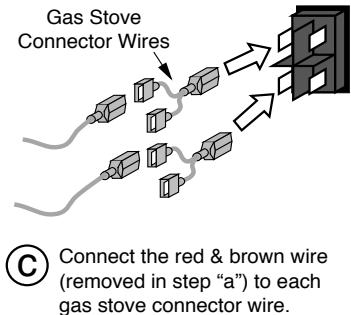
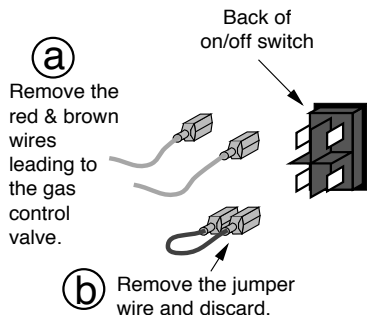
- (b) Place the receiver on the floor of the firebox, as far away from the insert as possible.

**WARNING:**  
The receiver must be 3" away from the heater and below the top convection channel.

- (c) Route the power cord away from hot or moving objects and behind the surround panel to a 110 VAC outlet.

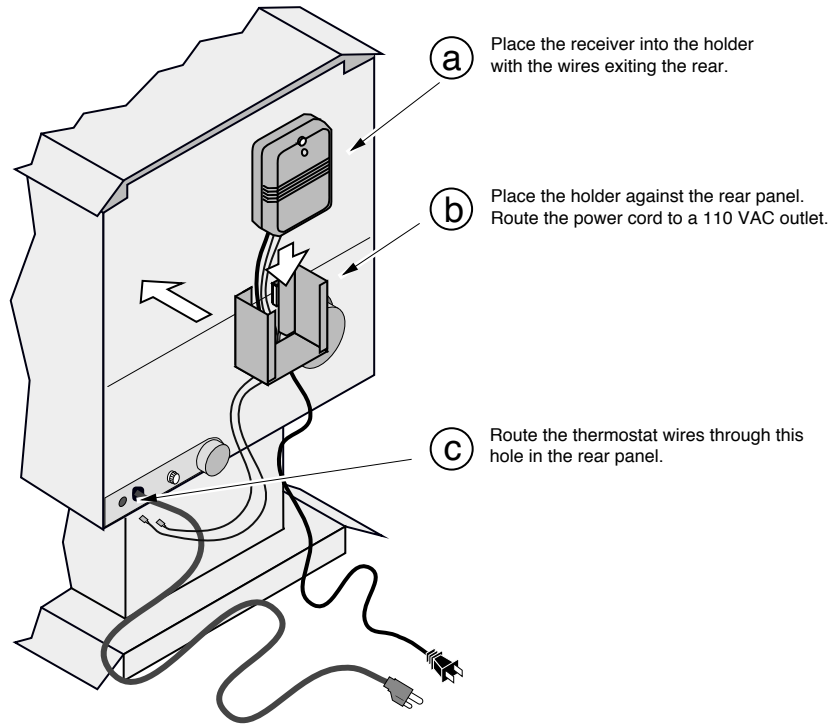
**Inserts with the on/off switch on the surround panel:** Route the thermostat wires through the rear panel, to the on/off switch (refer to the owner's manual for details on accessing the back of the on/off switch).

**Inserts with the on/off switch in front:** Route the thermostat wire along the base of the insert and under the wire clip (make sure the wires do not contact the burner pan).

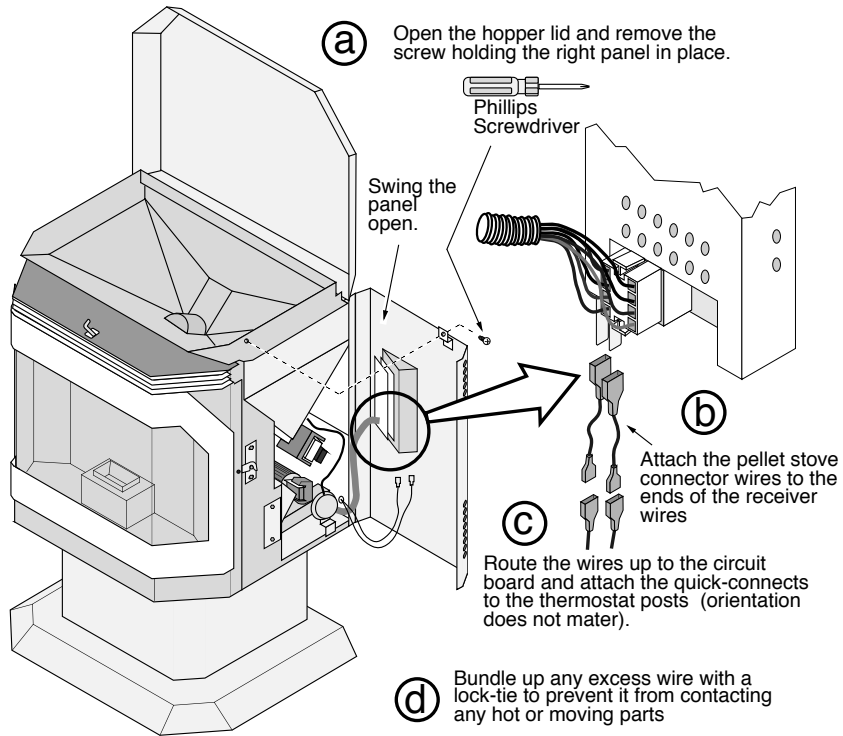


## Pellet Stove Installation

Place the receiver holder on the back of the heater and route the receiver wires to the on/off switch (see the illustration to the right). Connect the receiver power cord to a 110 VAC outlet.



Attach the pellet stove connector wires to the ends of the receiver wires. Then attach the connector wires to the back of the circuit board (see the illustration to the right).



# Operating Instructions

**NOTE:** The pilot flame must be lit, the gas control valve turned to "ON", and the on/off switch turned to "OFF" for the remote to work correctly.

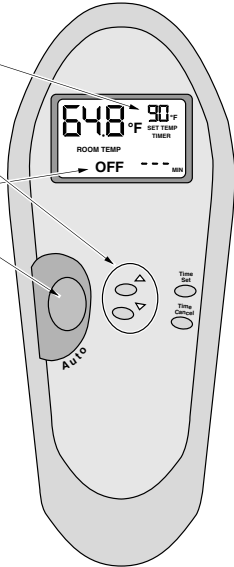
**NOTE:** This kit must be installed by a qualified technician.

## MANUAL MODE:

**TO SET TO MANUAL:**  
Use the arrow keys to adjust the target temperature to 90°.

**TO TURN ON AND OFF:**  
Use this key to toggle the heater on and off. The display will indicate the status.

**NOTE:**  
If the room exceeds 90°, the heater will shut off.



## THERMOSTAT MODE:

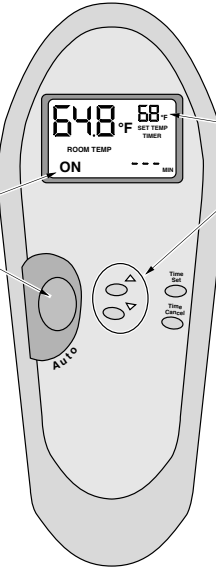
**TO SET TO THERMOSTAT MODE:**  
Use this key to toggle the thermostat mode on. The display will indicate "ON" in the lower left.

**HINT:**  
If your heater turns on and off frequently, adjust the flame height (burn rate on pellet heaters) down slightly for a more consistent heat output.

**TO ADJUST TARGET TEMPERATURE:**  
Use the arrow keys to adjust the target temperature to the desired level.

The heater will turn on and off to keep the room temperature near the target temperature.

**IMPORTANT OPERATIONAL NOTE:**  
The thermostat has a built-in time delay to keep the heater from constantly turning on and off. This means the target temperature may be slightly higher (2° or 3°) than the room temperature – do not adjust the target temperature – the heater will turn on in a few minutes.



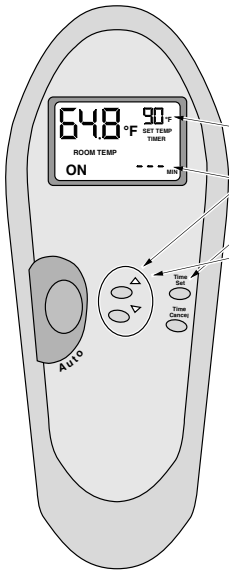
## TIMED MODE:

**TO SET TO TIMED OPERATION:**

- a) Use the arrow keys to adjust the target temperature to 90°.
- b) Press the "Time Set" button - the " - - - " will start to flash.
- c) Use the arrow keys to set the number of minutes you would like the heater to stay on.

The heater will turn on and stay running for the number of minutes displayed.

**NOTE:**  
If the room exceeds 90°, the heater will shut off.

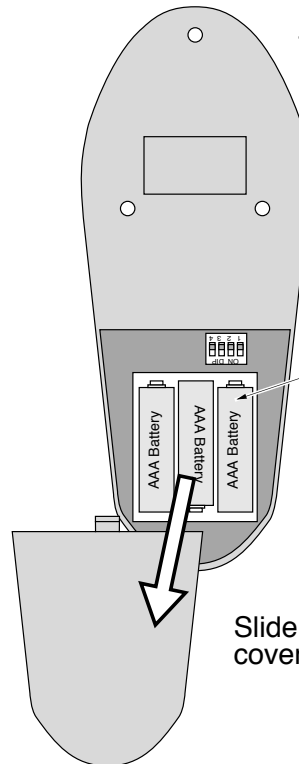


## REPLACING THE BATTERIES:

Transmitter

Use "AAA" batteries with the remote

Slide the access cover off.



## POWER OUTAGES:

If a power outage occurs, the receiver will turn the heater off. Once power is restored, the remote will turn the heater on (if the remote calls for heat) within 30 minutes. If you wish to over-ride the remote and turn the heater on (gas stoves only), turn the on/off switch on the gas heater to "ON".