



Rear Blower Installation Instructions

99000138

Compatibility (Freestanding Models Only)

- Lopi Answer • Lopi Endeavor • Lopi Liberty • Lopi Leyden
- Avalon Pendleton (745/790) • Avalon Rainier (945/990) • Avalon Olympic (1190) • Avalon Arbor
- 1250 Wood Stove • 1750 Wood Stove

Packing List

- Rear Blower • Snap Disk Assembly • Snap Disk Hanger • Three 1/4" 20 Thread Cutting Screws

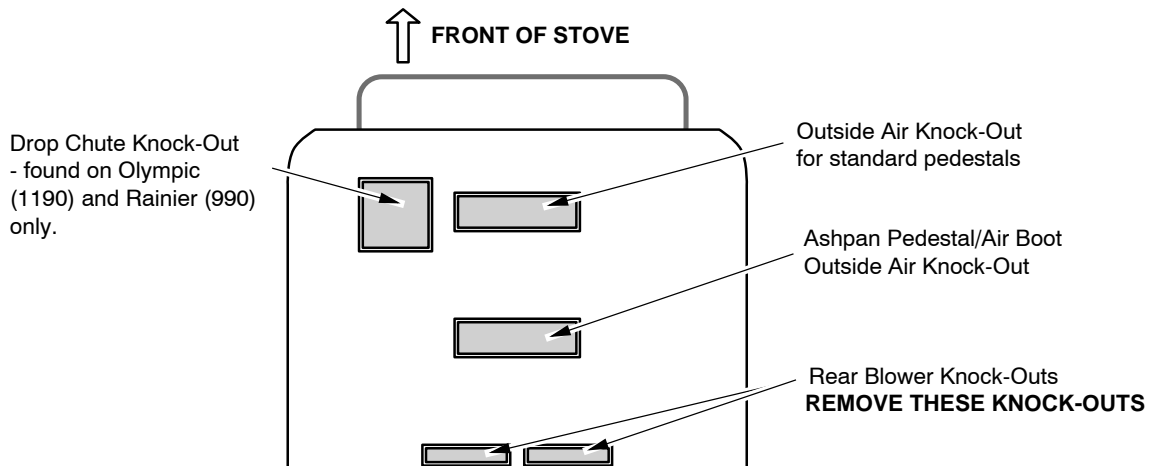
Operating Instructions

The blower will not turn on until the appliance is up to temperature. Once up to temperature, the blower will operate at the speed determined by the position of the blower knob (see the illustration below). The blower shuts off once the appliance cools.



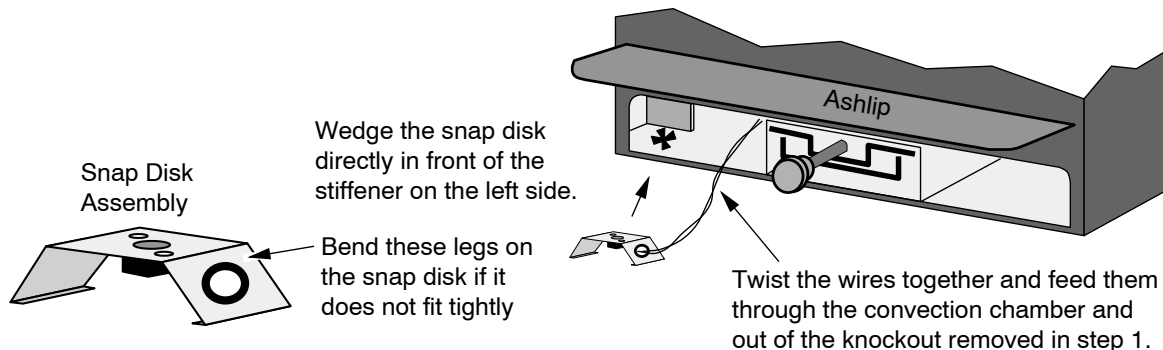
Installation Instructions (All Except Leyden, Arbor, and 1750)

1. Install the stove legs or pedestal. Remove the two rear blower knock-outs underneath the base (see the illustration below).



2. For the Endeavor and Liberty follow step 2B. For all other models, follow step 2A.

- 2A Install the snap disk assembly into the left side convection chamber following the directions below.

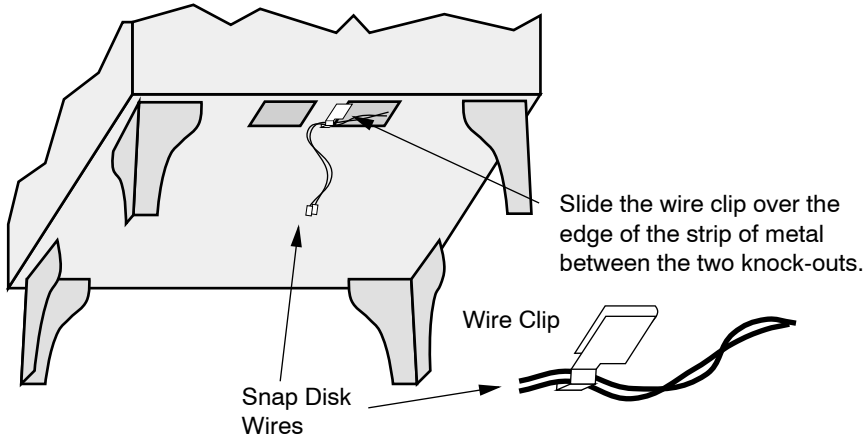




Rear Blower Installation Instructions

99000138

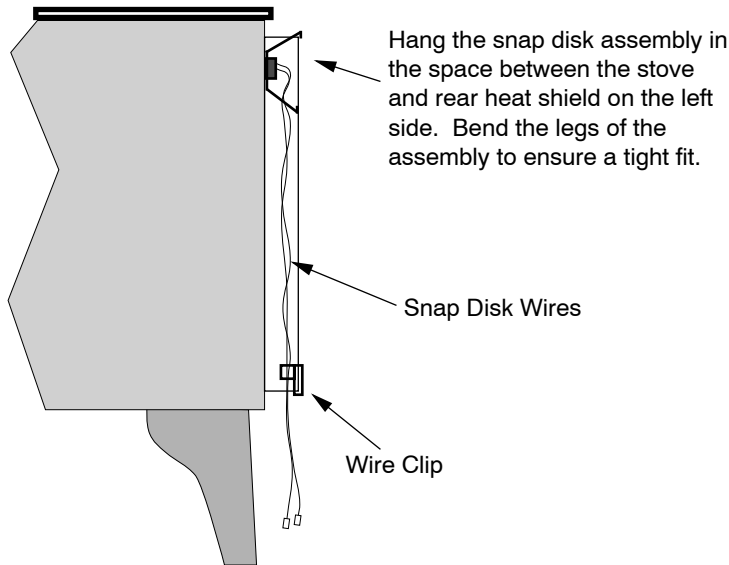
2A Secure the snap disk wires in place following the directions below. Go to step 3.



Feed the two snap disk wires into the eye of the wire clip. Then carefully remove all slack from the wire, making sure not to dislodge the snap disk. Pinch the eye of the wire clip to secure the wires.

NOTE: The wires must be properly secured to prevent the wire from contacting the firebox and shorting out the blower circuit.

2B (Liberty, Endeavor only) Install the snap disk assembly inside of the heat shield following the directions below. Secure the snap disk wires in place following the directions below.



Feed the two snap disk wires into the eye of the wire clip. Then carefully remove all slack from the wire, making sure not to dislodge the snap disk. Pinch the eye of the wire clip to secure the wires.

Secure the snap disk wires in place following the directions below.

NOTE: The wires must be properly secured to prevent the wire from contacting the firebox and shorting out the blower circuit.



Rear Blower Installation Instructions

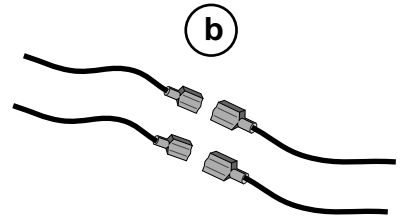
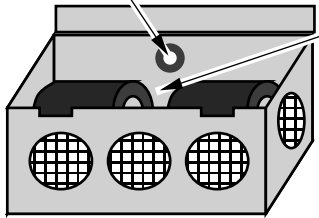
99000138

- Place the blower near the bottom rear edge of the stove. Attach the quick-connects from the snap disk assembly to the quick-connects on the blower. Push any slack wire into the blower box. Attach the blower following the directions below.

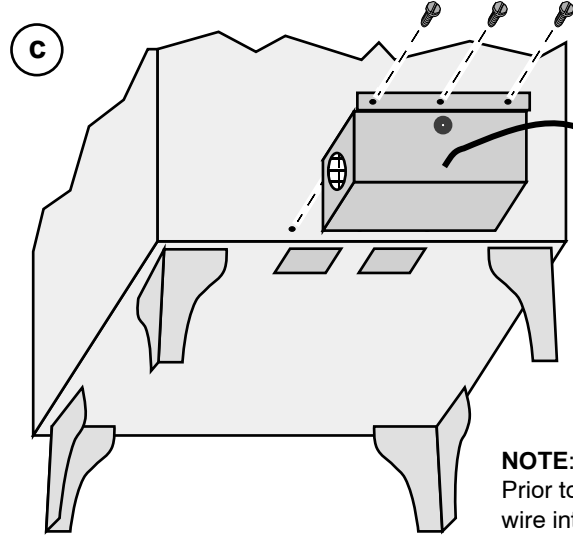
a **Endeavor & Liberty:**
Feed the two wires from the blower through this hole before attaching the quick-connects.

All Other Models:
Feed the wires directly upwards

NOTE:
Prior to attaching the blower, tuck all excess wire into the area inside the blower.



Attach the quick-connects leading from the snap disk to the quick-connects from the blower.



The blower attaches to the stove with the three included screws. Use a 3/8" socket driver or wrench.

HINT:
Attach the screws to the back of the stove prior to attaching the blower. This will cut the threads and ease installation.

Plug the power cord into a 110 V. outlet after installing the blower.

NOTE:
Prior to attaching the blower, tuck all excess wire into the area inside the blower.

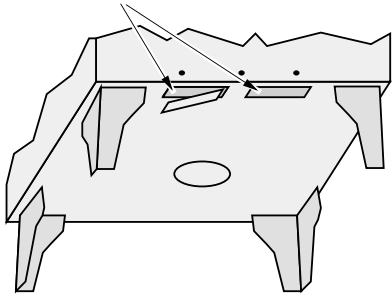


Rear Blower Installation Instructions

99000138

1750 Installation Instructions

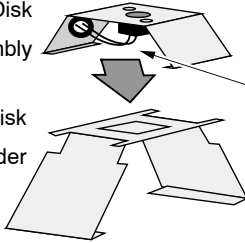
- a** Remove these two knock-outs on the bottom of the stove (use a screwdriver to pry them out).



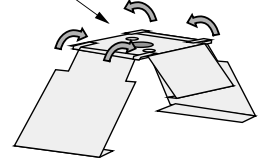
- b** Place the snap disk assembly over the snap disk extender (included with the stove) and bend these tabs to secure.

Snap Disk Assembly

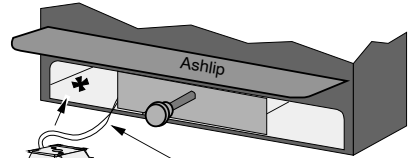
Snap Disk Extender



Disconnect these wires to install the extender (re-connect after the extender is attached).



- c** Wedge the snap disk into the convection channel so. Bend the legs on the extender, if necessary, so the snap disk contacts the firebox.

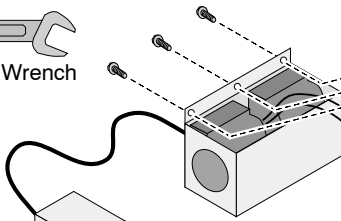


Twist the wires together, feed them through the convection chamber, out the knockout, and attach to the leads on the blower.

f

- Attach the blower to the stove with the three screws included with the blower.

3/8" Wrench

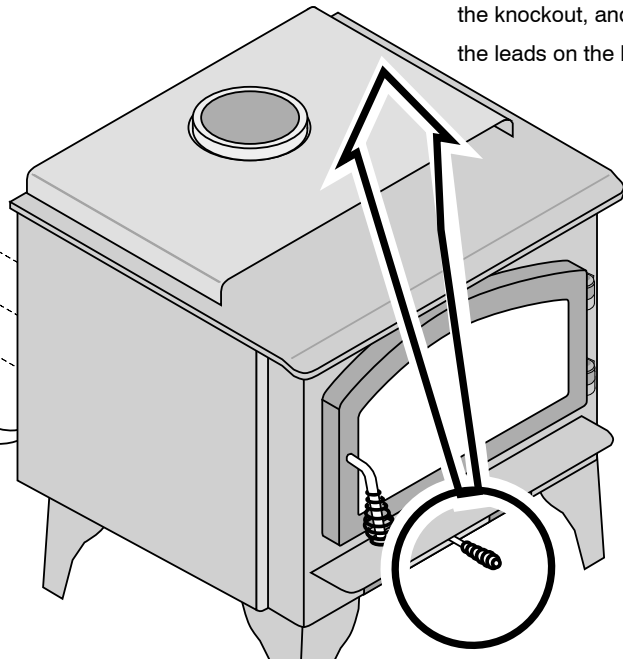


d

- Attach the wires from the thermodisk to the wires from the blower.

e

- Position the blower near the rear of the stove. Tuck all excess wire into the blower box, making sure it does not contact any moving parts. Make sure when installing the blower, these wires do not become loose.



g

- Plug the blower in. Do not route the power cord under or over the stove or in a location where it may become damaged.

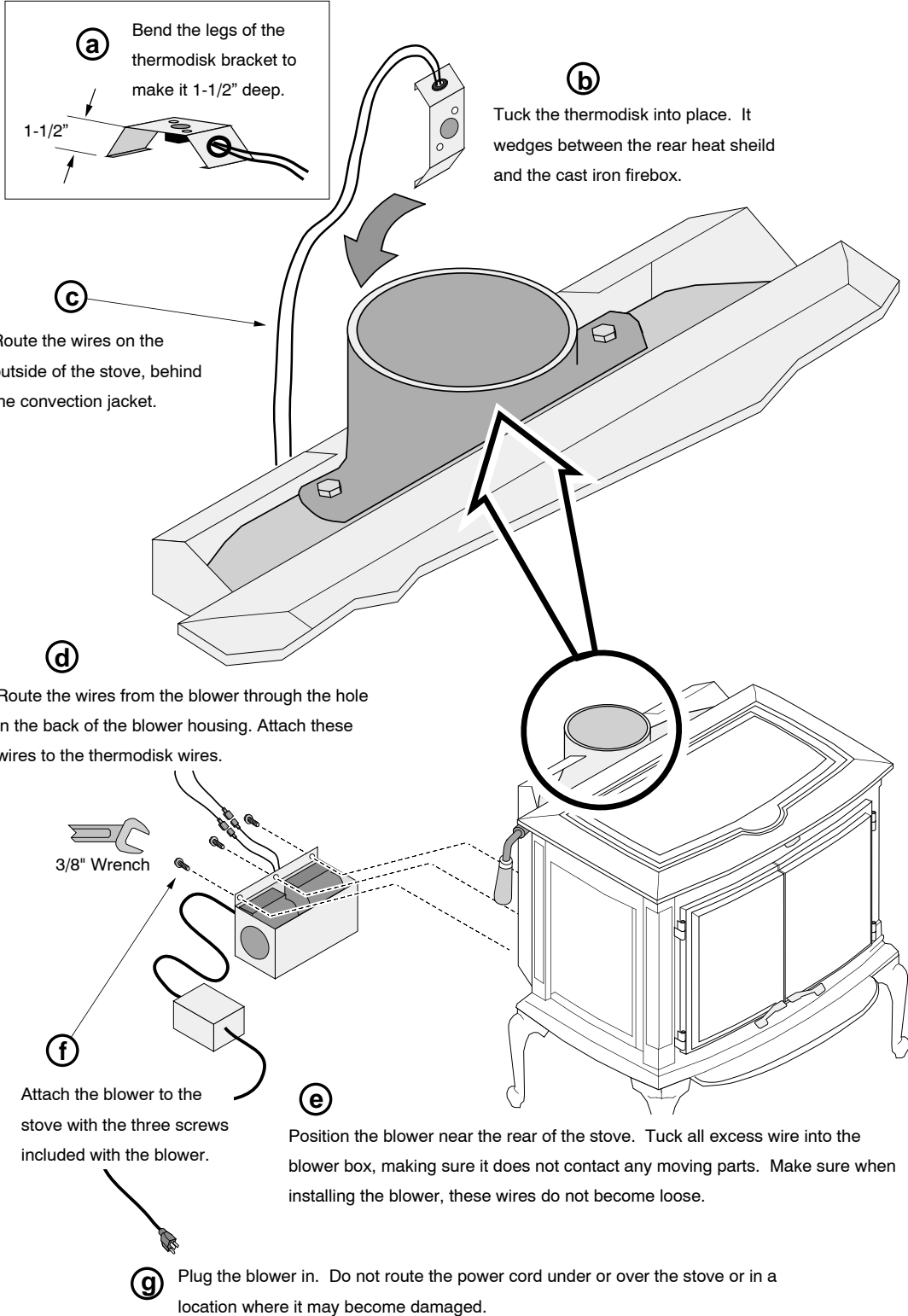


Rear Blower Installation Instructions

99000138

Leyden and Arbor Installation Instructions – Prior to Rev 005

The following instructions are for Leyden and Arbor wood stoves that do not have the built in thermodisk (serial # 1110-009119 or less for Leyden, serial # 1307-003085 or less for Arbor).





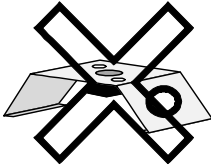
Rear Blower Installation Instructions

99000138

Leyden and Arbor Installation Instructions –Rev 005 or Later

The following instructions are for Leyden and Arbor wood stoves with the built in thermodisk (serial # 1110-009120 or greater for Leyden, serial # 1307-003086 or greater for Arbor).

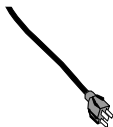
a
Discard the snap disk that is included with the blower.



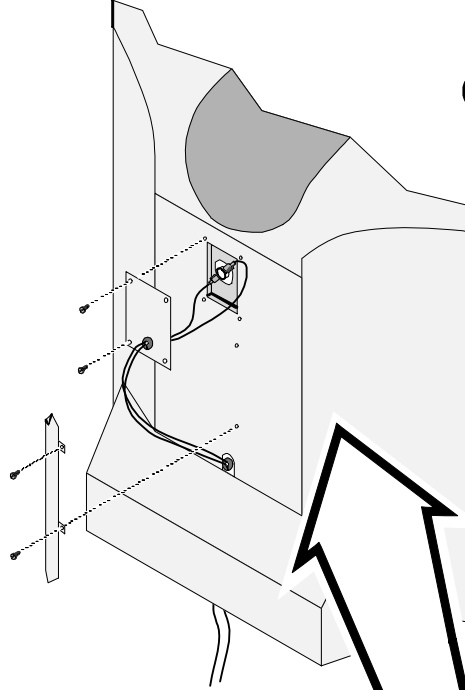
b
Place the blower near the back edge of the stove.



e
Attach the blower to the stove with the three screws included with the blower.



f
Plug the blower in. Do not route the power cord under or over the stove or in a location where it may become damaged.



c
Remove the two cover plates on the back of the stove. Route the wires from the blower through the convection channel, through the access holes and attach to the built-in snap disk as shown to the left (NOTE: the grommets are cut to allow the quick-connects to pass through). Pull the slack out of the wire and replace the cover plates to conceal the wiring.

d
With the blower near the rear of the stove, tuck all excess wire into the blower box, making sure it does not contact any moving parts. Make sure when installing the blower, these wires do not become loose.

