

Large Flush Wood Insert Rectangular: 1 Piece Surround Panel Installation

(SKUs: 96100392, 96100393)

Compatibility

- Large Flush Wood Hybrid-Fyre Insert

Surround Panel Sizing

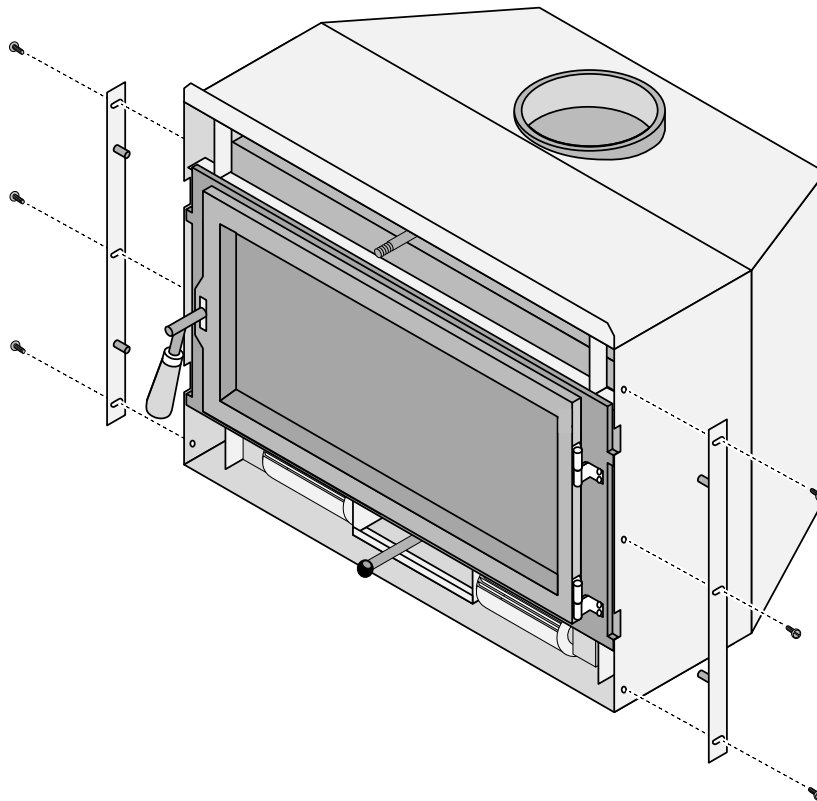
	Height	Width
96100392	32-1/2"	42"
96100393	35"	47"

Packing List

- Surround Panel
- (2) Panel Mounting Brackets
- (6) #10 screws (included with insert hardware pack)

Installation

1. Before installing, the insert should be in place with the flue attached. Attach the brackets as shown below, using the screws included in the hardware pack with the insert. Make sure the brackets are flush with the front of the convection chamber.

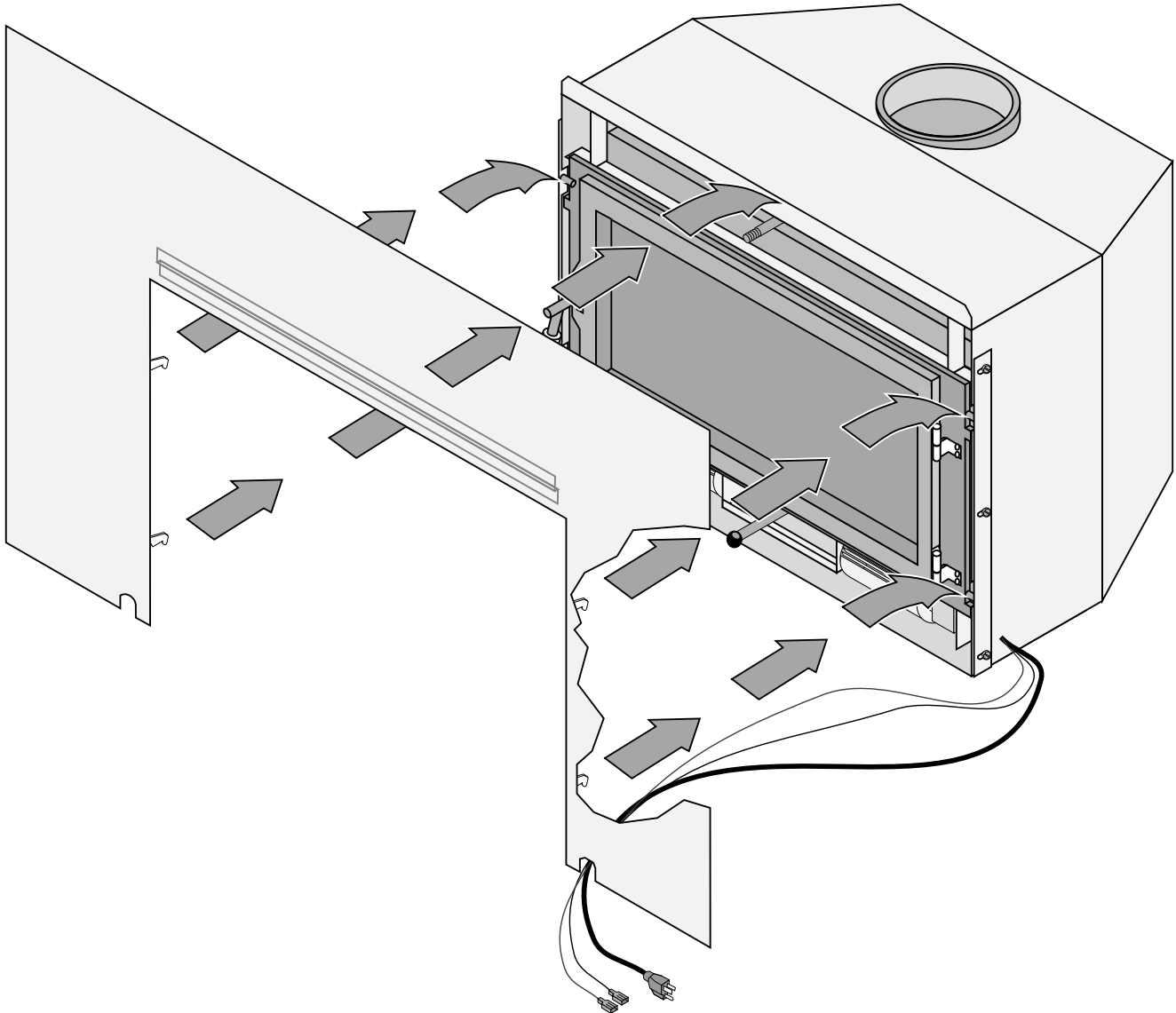


Large Flush Wood Insert Rectangular: 1 Piece Surround Panel Installation

(SKUs: 96100392, 96100393)

2. Attach the surround panel as shown below.

WARNING: Make sure all wiring is inserted into the cavity between the insert and the fireplace. Failure to do this may cause the wiring to become damaged.



HINT: When installing the panel, route the wires through the notch on the bottom of the panel (either side).