



# Large Flush Wood Insert Face Installation

Shadowbox Black 96400717, Shadowbox Bronze 96400718, Times Square 96400719

## Compatibility

- Large Flush Wood Rect. Insert

**NOTE:** Do not build facing up to the faceplate (a 3/8" gap is required to allow for air to circulate).

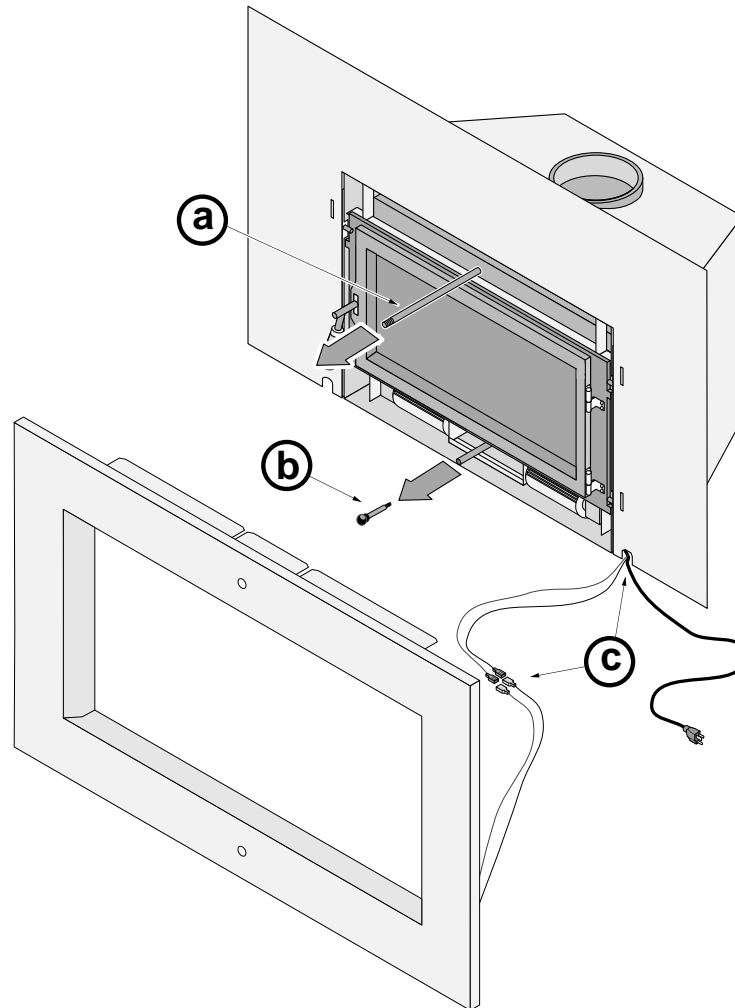
## Packing List



- Face (see below)
- (2) Rod Extenders
- Bypass Ring

## Installation

1. Before installing the face, the insert must be in place with the flue and surround panel attached.
2. Pull the bypass forward then remove the bypass rod (you may need pliers - see "a" below).
3. Remove the air control rod and knob (you may need pliers - see "b" below).
4. Place the face near the insert. Connect the rheostat wires from the face to the rheostat wires on the insert (orientation does not matter - see "c" below). Make sure the power cord is routed through the hole in the surround panel.





# Large Flush Wood Insert Face Installation

Shadowbox Black 96400717, Shadowbox Bronze 96400718, Times Square 96400719

5. Attach the face to the insert (see "a" below).

**WARNING:** When installing the face, make sure all wiring is inserted into the cavity between the insert and the fireplace. Failure to do so may lead to damaged wiring.

6. Attach the bypass ring to the bypass rod. Attach one rod extender to the back of the bypass rod. Then thread this assembly into the yoke on the bypass plate (see "b" below).

**NOTE:** take care when installing the bypass rod. You do not want to push the yoke all the way in, causing it to disengage from the bypass hole. If it does disengage, you will need to reach through the bypass opening and insert the yoke through the bypass hole.

7. Attach the air control rod to the rod extender then attach it to the air control (see "c" below).

