



TRAVIS INDUSTRIES
HOUSE OF FIRE

Large Flush Wood Face Installation

Arch Black (96400713) – Arch Artisan (96400714) - Metropolitan (96400716)

Universal (96400756) - Wilmington (96400292, 96400293)

Compatibility

- Large Flush Wood Hybrid-Fyre Insert with 1-Piece Panel

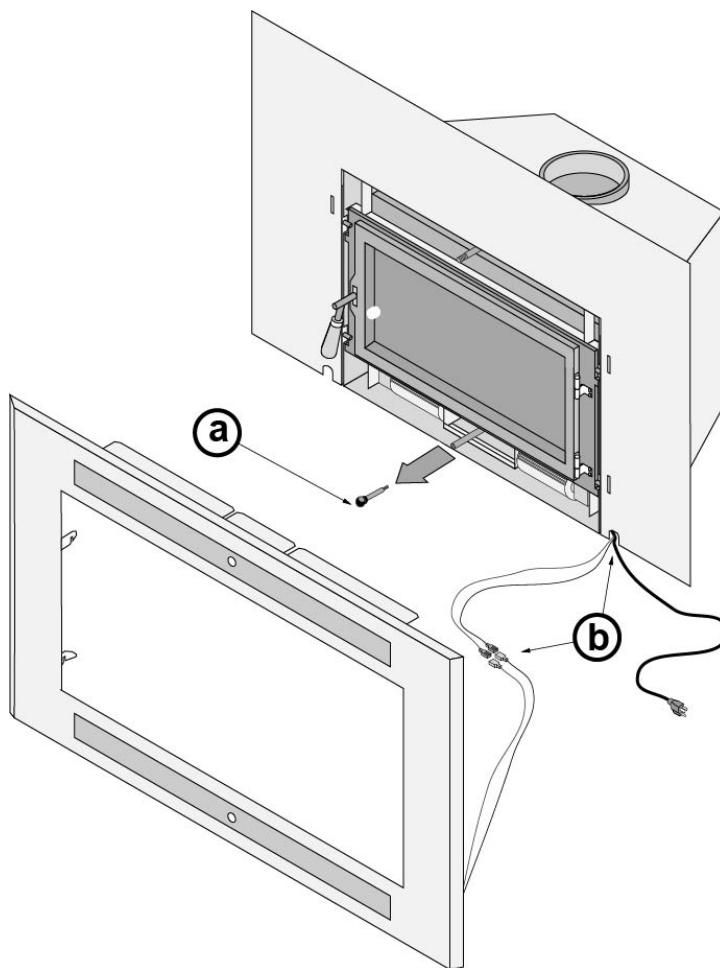
Packing List



- Face (not shown)
- Air Control Rod
- Bypass Ring

Installation

1. Before installing the face, make sure the insert is in place, attached to the flue, and the surround panel is in place. Remove the air control rod (see “a” below).
2. Connect the rheostat wires and make sure the power cord is routed through the hole in the surround panel (see “b” below).





TRAVIS INDUSTRIES
HOUSE OF FIRE

Large Flush Wood Face Installation

Arch Black (96400713) – Arch Artisan (96400714) - Metropolitan (96400716)

Universal (96400756) - Wilmington (96400292, 96400293)

3. Attach the face as shown below (see “a” below). First ensure that the bypass rod is fully pushed in.
4. Attach the bypass ring to the bypass rod (see “b” below).
5. Remove the wooden knob from the existing air control rod and attach it to the air control rod provided. Re-attach to the air control assembly (see “c” below).
6. Remove and discard the stock extender.

WARNING: Make sure all wiring is inserted into the cavity between the insert and the fireplace. Failure to do this may cause the wiring to become damaged.

