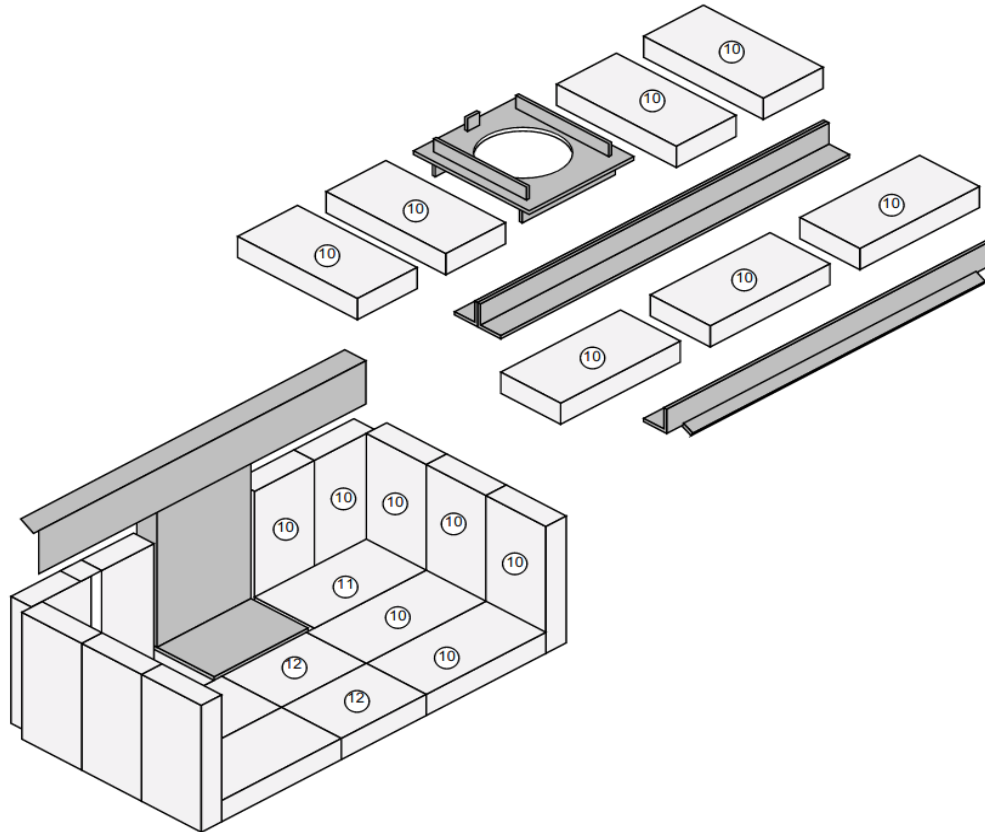




OLYMPIC FIREBRICK ORDER FORM



ID#	SKU	DESCRIPTION	QTY	ORDER QTY
10	251-00000	BRICK-WHOLE, 9 x 4-1/2 x 1-1/4	21	
11	251-00010	BRICK-CUT, 8-1/4 X 4-1/2	2	
12	251-00011	BRICK-CUT, 6-3/8 X 4-1/2	2	

STOCK	99900102	BOX OF 8, WHOLE BRICK (251-00000 x 8)	BOX OF 8	
-------	----------	---------------------------------------	----------	--

Ship To _____

Acct # _____ PO# _____

Street _____

City, ST _____

Please send
to your
Travis Sales Team

Melodie Kauf: FAX (425) 609-2792
John Beiermann: FAX (425) 315-9911
Quinn Wilks: FAX (425) 315-9913

saleswest@travis-inc.com
saleseast@travis-inc.com
salescentral@travis-inc.com