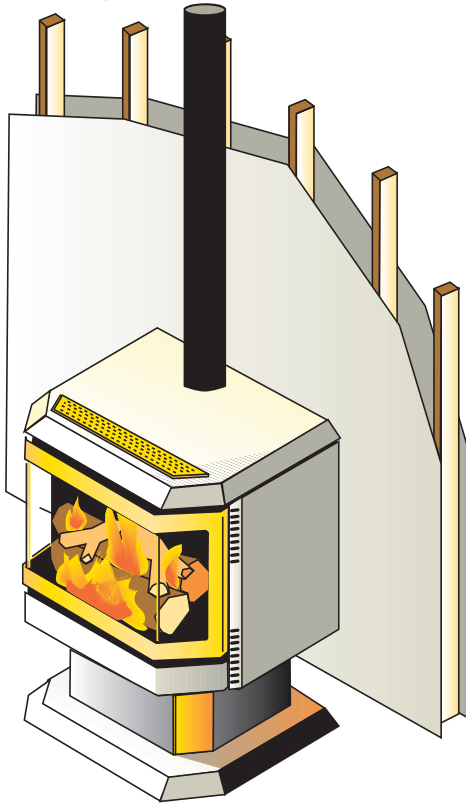


# AVANTI

By Avalon



## B-Vent Gas Stove and Fireplace Insert

- Freestanding Stove
- Masonry Fireplace Insert
- Factory Built (Z.C.) Fireplace Insert



**WARNING:** Improper installation, adjustment, alteration, service or maintenance can cause injury or property damage. Refer to this manual. For assistance or additional information consult a qualified installer, service agency, or the gas supplier.

- Do not store or use gasoline or other flammable vapors and liquids in the vicinity of this or any other appliance.
- Installation must be performed by a qualified installer, service agency or the gas supplier

### **IF YOU SMELL GAS**

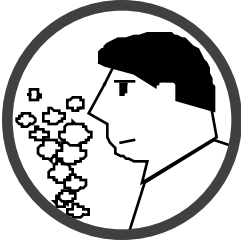
- Do not try to light any appliance.
- Do not touch any electrical switch; do not use any phone in your building.
- Immediately call gas supplier from a neighbor's phone. Follow the gas supplier's instructions.
- If you cannot reach your gas supplier, call the fire department.

## AVANTI B-VENT GAS HEATER

- October, 1998 -

**Installer:** After installation give this manual to the homeowner and explain operation of this heater.

 **Travis Industries, Inc.**  
10850 117th Place N.E. Kirkland, WA 98033

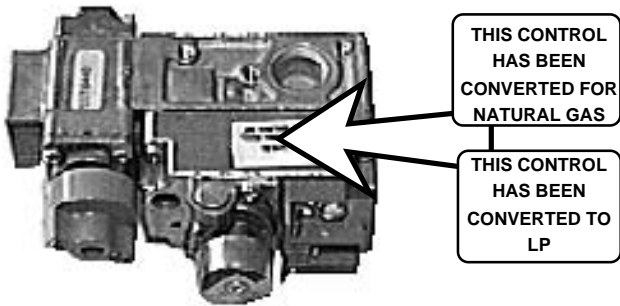


**• IF YOU SMELL GAS:**

- \* Do not light any appliance
- \* Extinguish any open flame
- \* Do not touch any electrical switch or plug or unplug anything
- \* Open windows and vacate building
- \* Call gas supplier from neighbor's house, if not reached, call fire department



- This unit must be installed by a qualified installer to prevent the possibility of an explosion. Your dealer will know the requirements in your area and can inform you of those people considered qualified. The room heater should be inspected before use and at least annually by a qualified service person. More frequent cleaning may be required due to excessive lint from carpeting, bedding material, etc.
- The instructions in this manual must be strictly adhered to. Do not use makeshift methods or compromise in the installation. Improper installation will void the warranty and safety listing.



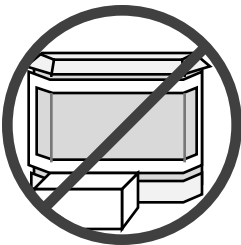
- This heater is either approved for natural gas (NG) or for propane (LP). Burning the incorrect fuel will void the warranty and safety listing and may cause an extreme safety hazard. Direct questions about the type of fuel used to your dealer. Check the label on top of the gas control valve.



- Contact your local building officials to obtain a permit and information on any installation restrictions or inspection requirements in your area. Notify your insurance company of this heater as well.



- If the flame becomes sooty, dark orange in color, or extremely tall, do not operate the heater. Call your dealer and arrange for proper servicing.



- It is imperative that control compartments, screens, or circulating air passageways of the heater be kept clean and free of obstructions. These areas provide the air necessary for safe operation.



- Do not operate the heater if it is not operating properly in any fashion or if you are uncertain. Call your dealer for a full explanation of your heater and what to expect.



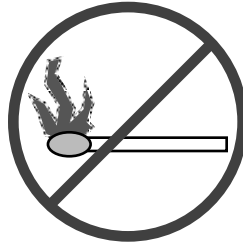
- Do not store or use gasoline or other flammable liquids in the vicinity of this heater.
- Keep all furniture or other combustible items at least 36" away from the front of the heater.



- Do not operate if any portion of the heater was submerged in water or if any corrosion occurs.



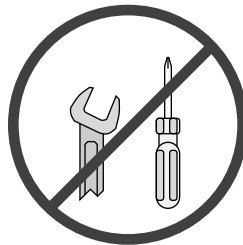
- Do not place clothing or other flammable items on or near the heater. Because this heater can be controlled by a thermostat there is a possibility of the heater turning on and igniting any items placed on or near it.



- Light the heater using the built-in piezo igniter. Do not use matches or any other external device to light your heater.



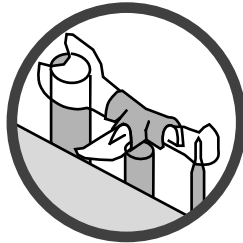
- The viewing glass should be opened for service only (see the maintenance section of this manual).



- Never remove, replace, modify or substitute any part of the heater unless instructions are given in this manual. All other work must be done by a trained technician. Don't modify or replace orifices.



- Any safety screen or guard removed for servicing must be replaced prior to operating the heater.



- Operate the heater according to the instructions included in this manual.
- If the main burners do not start correctly turn the gas off at the gas control valve and call your dealer for service.

- Allow the heater to cool before carrying out any maintenance or cleaning.
- The pilot flame must contact the thermopile and thermocouple (see the illustration to the left). If it does not, turn the gas control valve to "OFF" and call your dealer.



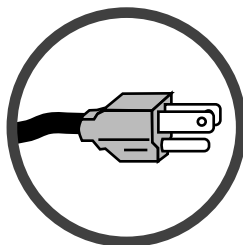
- This unit is not for use with solid fuel
- Do not place anything inside the firebox (except the included fiber logs).
- If the fiber logs become damaged, replace with Travis Industries log set.



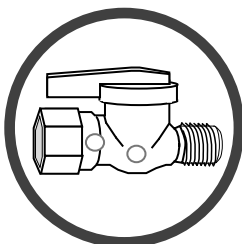
- Do not throw this manual away. This manual has important operating and maintenance instructions that you will need at a later time. Always follow the instructions in this manual.



- Do not touch the hot surfaces of the heater. Educate all children of the danger of a high-temperature heater. Young children should be supervised when they are in the same room as the heater.



- Plug the heater into a 115V grounded electrical outlet. Do not remove the grounding plug.
- Don't route the electrical cord in front of, over, or under the heater



- Instruct everyone in the house how to shut gas off to the appliance and at the gas main shutoff valve. The gas main shutoff valve is usually next to the gas meter or propane tank and requires a wrench to shut off.



- **Travis Industries, Inc. grants no warranty, implied or stated, for the installation or maintenance of your heater, and assumes no responsibility of any consequential damage(s).**

**General Information**

Introduction & Important Information .....1  
 Safety Precautions .....2  
 Features & Specifications.....5

**Stove Installation**

Installation Preparation .....6  
 Packing Lists .....6  
 Order of Installation .....6  
 Pedestal Assembly .....6  
 Stove Panel Assembly.....7  
 Installing the Gas Inlet.....9  
 Floor Protection .....10  
 Heater Placement Requirements .....10  
 Clearances .....10  
 Gas Line Install .....11  
 Vent Requirements.....12  
 Vent Termination Requirements .....12  
 Electrical Connection .....12

**Insert Installation**

Installation Preparation .....13  
 Packing Lists .....13  
 Order of Installation .....13  
 Installing the Gas Inlet.....13  
 Installing the Power Cord .....13  
 Insert Placement .....15  
 Floor Protection .....15  
 Gas Line Install .....16  
 Vent Requirements.....17  
 Vent Termination Requirements .....17  
 Electrical Connection .....17  
 Surround Panel Installation.....18  
 Insert Shell Installation .....19

**Finalizing the Installation**

1 Open the Door .....20  
 2 Install the Logs and Coals.....21  
 3 Close the Door .....22  
 4 Purge the Gas Line .....22  
 5 Check the Pilot Flame.....22  
 6 Check the Draft .....22  
 7 Adjust the Air Shutter.....26  
 8 Check the Flame Height.....26  
 9 Explain Heater Operation to Owner .....26

**Operating Your Heater**

Before You Begin .....24  
 Location of Controls .....24  
 Starting The Pilot.....25  
 Starting the Heater for the First Time .....26  
 Turning the Heater On and Off .....26  
 Adjusting the Flame Height.....26  
 Adjusting the Blower Speed.....27  
 Normal Operating Sounds .....27

**Maintaining Your Heater**

Maintaining Your Stove's Appearance.....28  
 Cleaning Your Stove .....28  
 Yearly Service Procedure.....28

**Troubleshooting**

Troubleshooting Table .....29  
 How this Heater Works .....30  
     What Turns the Main Burners  
     On and Off .....30  
     What Prevents Gas Buildup.....30  
     Why Nothing Should Be Placed  
     Against the Heater.....31  
     Wiring Diagram .....31  
     Replacement Parts List.....31

**Warranty**

Warranty.....32

**Listing Information**

Safety Label .....33

**Optional Equipment**

Thermostat .....34  
 Remote Control Thermostat.....35  
 Outside Air Kit .....35  
 Avanti Gold Trim .....36  
 45° Flue Adapter .....37  
 Propane Conversion Kit.....38

**Index**

Index .....42

---

**Symbols Used in this Manual**



## Installation Options:

- Freestanding
- Masonry Fireplace Insert
- Zero-Clearance (Metal) Fireplace Insert

## Features:

- Works During Power Outages (millivolt system)
- High Efficiency; Up to 80% for Natural Gas, 82% for LP (Steady State)
- Optional Thermostat or Remote Control
- Realistic "Wood Fire" Look
- Convenient Operating Controls
- Variable-Rate Heat Output
- Quiet Blower for Effective Heat Distribution
- Low Maintenance

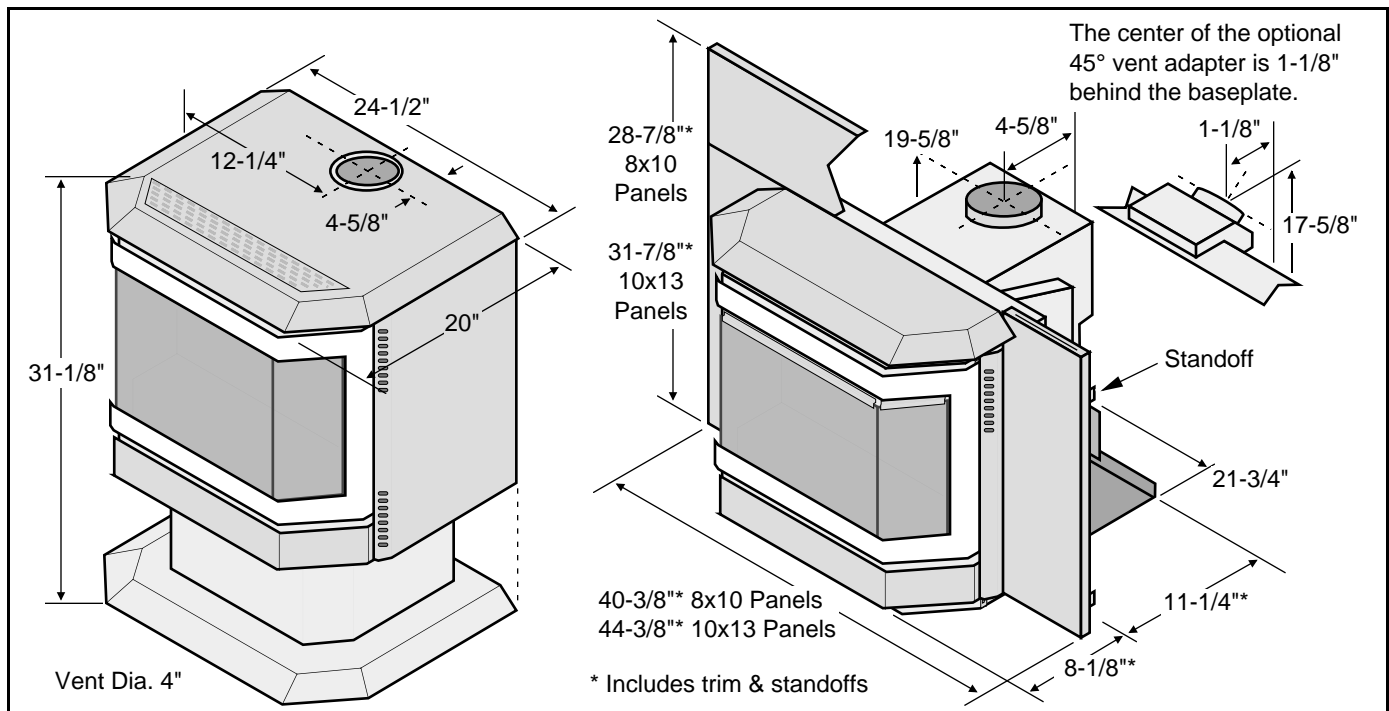
## Heating Specifications:

Approximate Heating Capacity (in square feet)\* 600 - 1600  
 AFUE (Annual Fuel Utilization Efficiency) 68 %

	Natural Gas	LP (Propane)
High Burn Input Rate (In BTU's)	40,000	38,000
Low Burn Input Rate (In BTU's)	23,000	20,000
Efficiency**	80%	82%

\* Heating capacity will vary with the home's floor plan and insulation, natural gas or Propane BTU rating, and outside temperature.  
 \*\* Efficiency rating is a product of thermal efficiency rating determined under continuous operation independent of installed system. To measure the net BTU's, multiply the BTU input by the efficiency percentage (80% for natural gas, 82% for LP).

## Dimensions



## Fuel:

The heater is designed either for natural gas or for propane (but not for both). Check the sticker on the top of the gas control valve.

## Emissions:

This unit has passed the ANSI emission standards for vented room heaters as tested by OMNI Environmental Services, Inc.

## Electrical Specifications:

115 Volts, 1.3 Amps, 60 Hz (150 watts on high)

## Installation Preparation

- ! This appliance must be installed in accordance with all local codes, if any; if not, follow ANSI Z223.1 and the requirements listed in this manual. Failure to follow all of the requirements may result in property damage, bodily injury, or even death.
- ! Notify your insurance company before hooking up this heater.
- ! The requirements listed below are divided into sections. All requirements must be met simultaneously. The order of installation is not rigid – the qualified installer should follow the procedure best suited for the installation.

### Items Packed with the Heater

- Avanti Gas Heater (with gold door)
- Propane Conversion Kit
- Log Set (2 Logs, 2 Twigs, Coals)
- Owner's Manual
- Strain Relief (for power cord)
- Strain Relief Bracket (for inserts only - may be discarded)
- 2 Gas Inlet Pipes (the longer one is for stoves)

### Items Packed with the Pedestal Kit

- Pedestal
- Two 3/8 x 3/4" Bolts
- Two Washers
- Two Lag Bolts (these may be discarded)

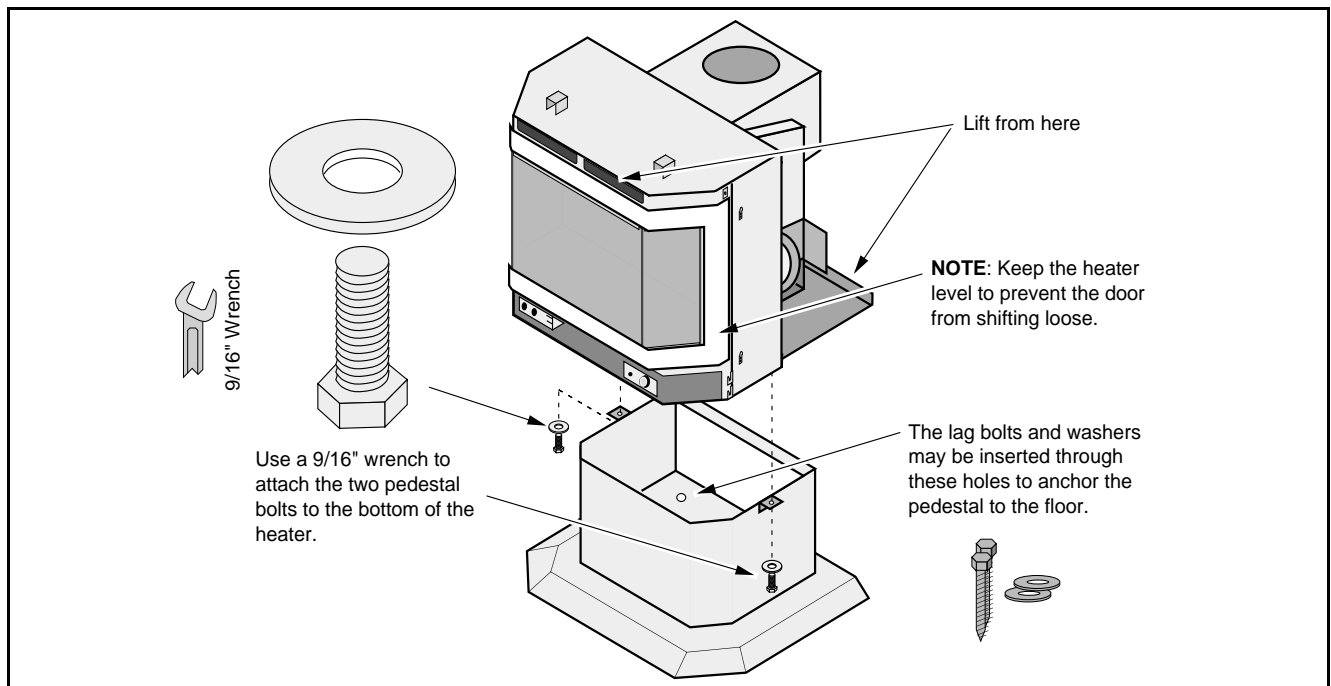
### Items Packed with the Stove Panel Kit

- Top, Left, Right, and Rear Stove Panels
- Control Cover
- Black Grill
- Flue Ring
- Eight 10-32 Hex Nuts with Attached Lock Washers
- Two 10-24 Pan Head Screws
- Twelve 10-24 Self-Tapping Screws
- Nine U-Nuts
- Two 6" strips of self-adhesive gasket
- Left & Right Forward Mounting Brackets

## Order of Installation

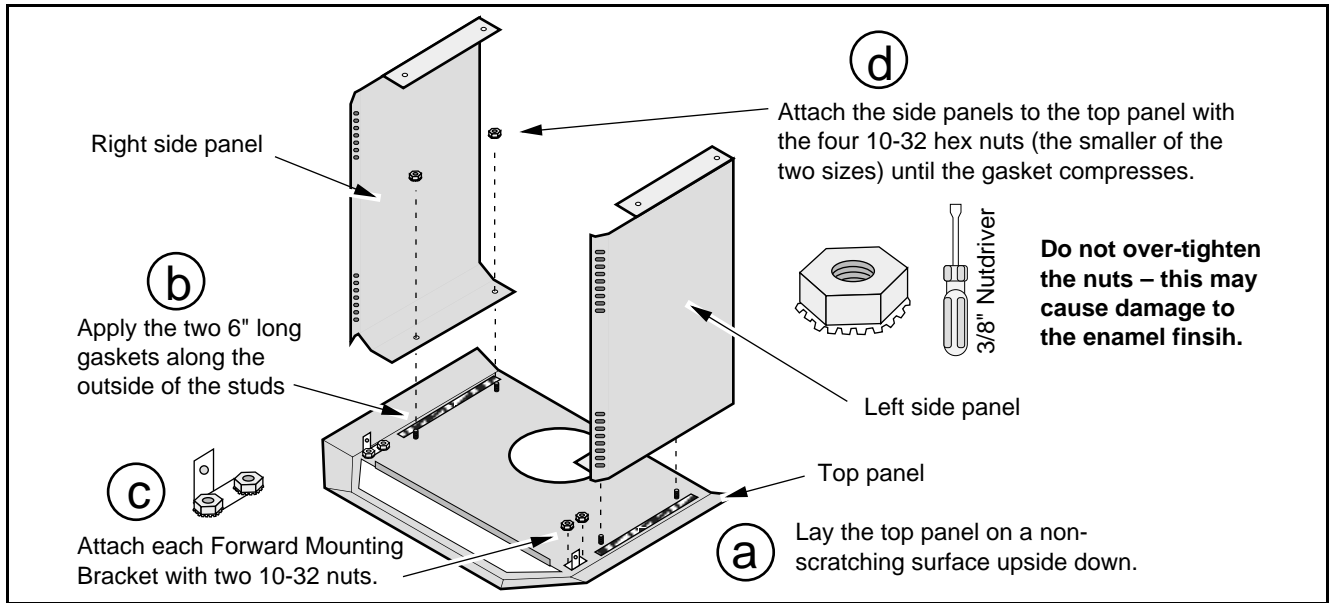
- 1 If the heater is to use propane, install the propane conversion kit (see pages 38 - 43)
- 2 Attach the pedestal
- 3 Attach the stove panels to the heater
- 4 Install the gas inlet (17-1/4" length of 3/8" pipe)
- 5 Position the heater (measure clearances from the upper top), use floor protection if needed
- 6 Connect the gas line Connect the gas vent
- 7 Follow the instructions under "Finalizing the Installation" on pages 20 through 26.

## Pedestal Assembly

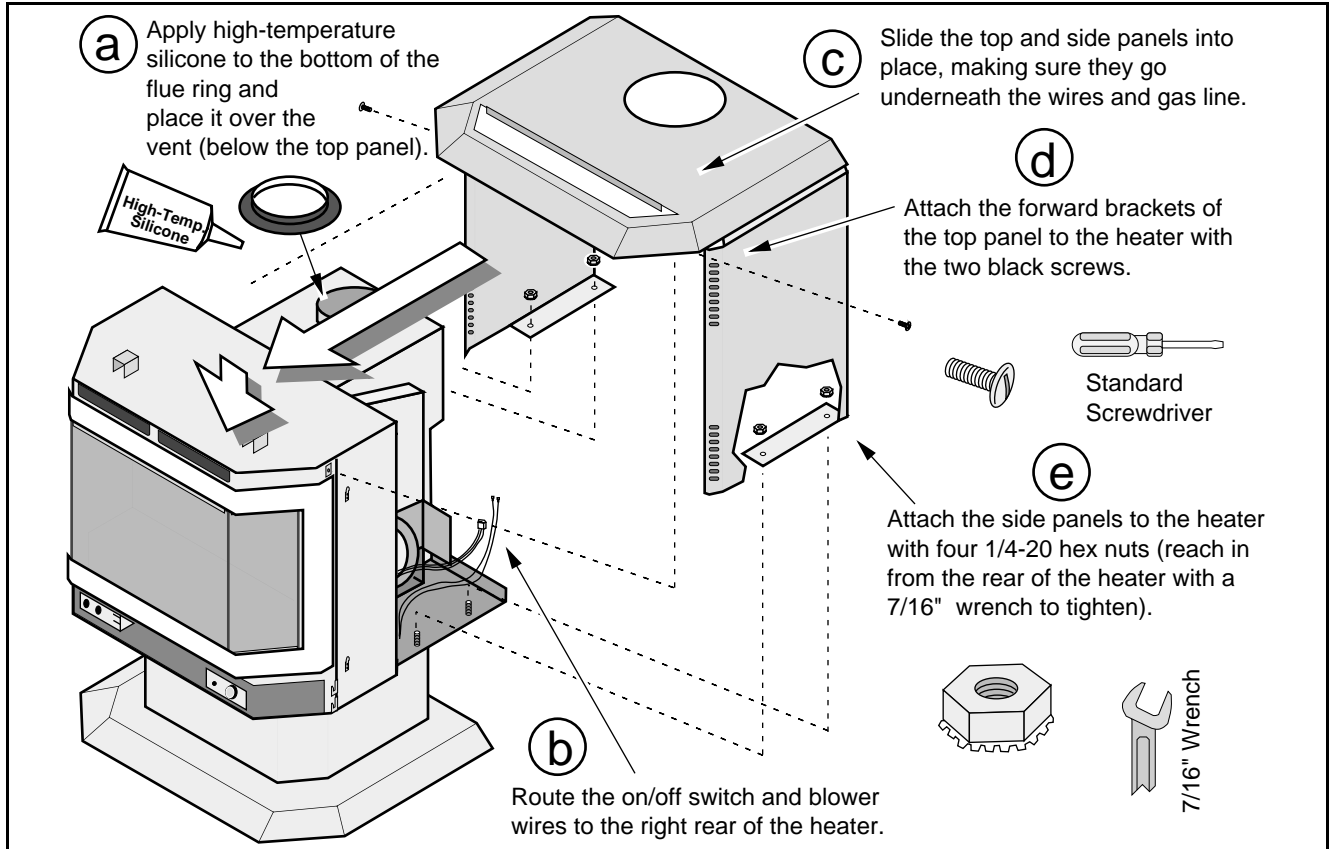


**Stove Panel Assembly**

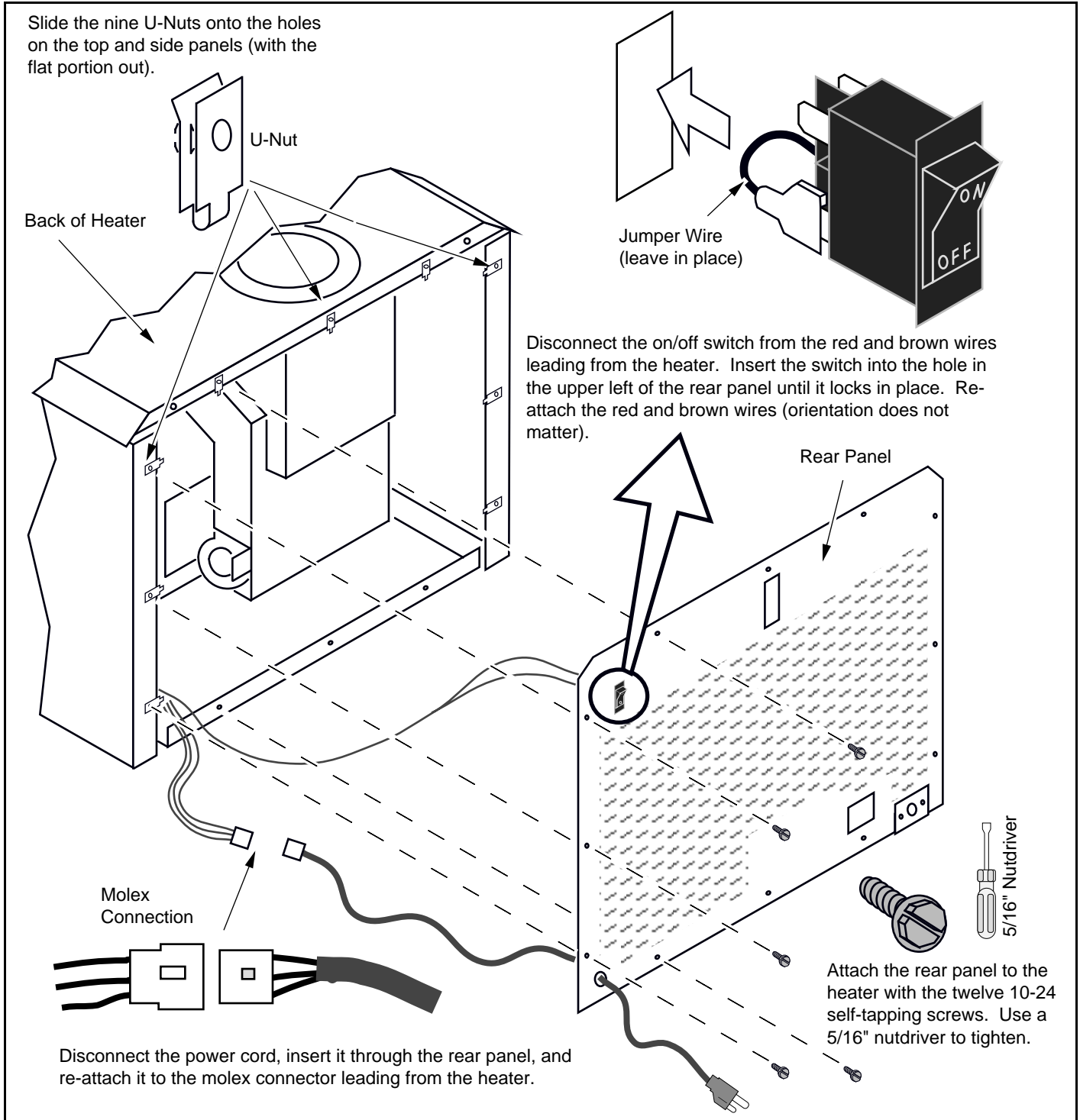
1 Follow the directions below to install the side panels to the top panel.



2 Follow the instructions below to install the side and top panels.

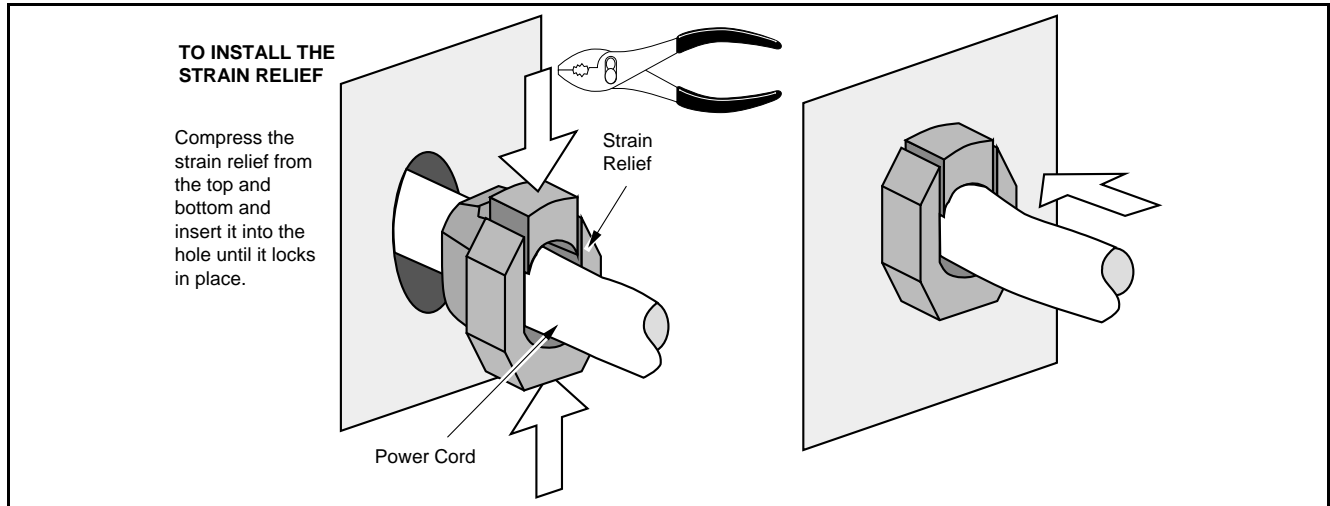


- 3 Slide the nine U-Nuts into place (see the illustration below).
- 4 Install the on/off switch (see the illustration below).
- ? If installing a thermostat or remote control, do so now (see pages 34 & 35).
- 5 Disconnect the power cord, insert it through the rear panel, and re-attach it to the molex connector leading from the heater (see the illustration below).
- 6 Attach the rear panel to the heater (see the illustration below).

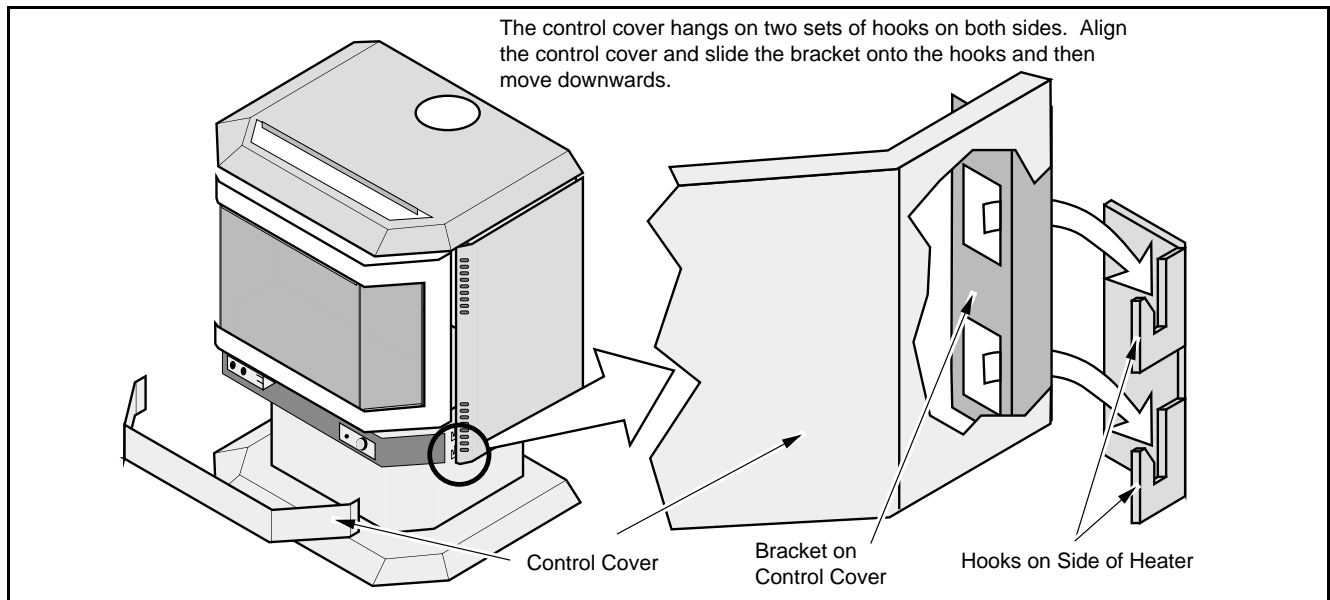




- 7 Pull gently on the power cord to take out any extra slack. Attach the strain relief (it is shipped attached to the power cord - see the illustration below).

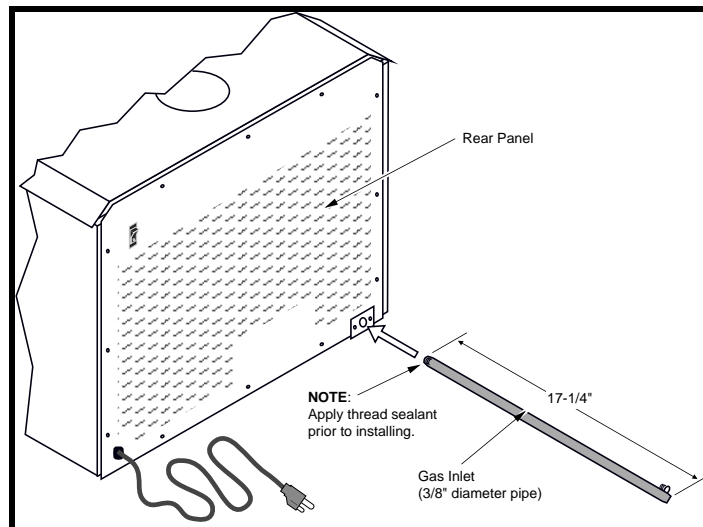


- 8 Attach the control cover by sliding it over the attachment hooks. Place the black grill in place.



### stalling the Gas Inlet

- Locate the 17-1/4" gas inlet pipe included with the heater (the shorter one may be discarded). Apply thread sealant to one end and insert it through the rear panel and into the 90° elbow on the gas control valve. Tighten with a pipe wrench.
- ! Leak check all gas line connections.



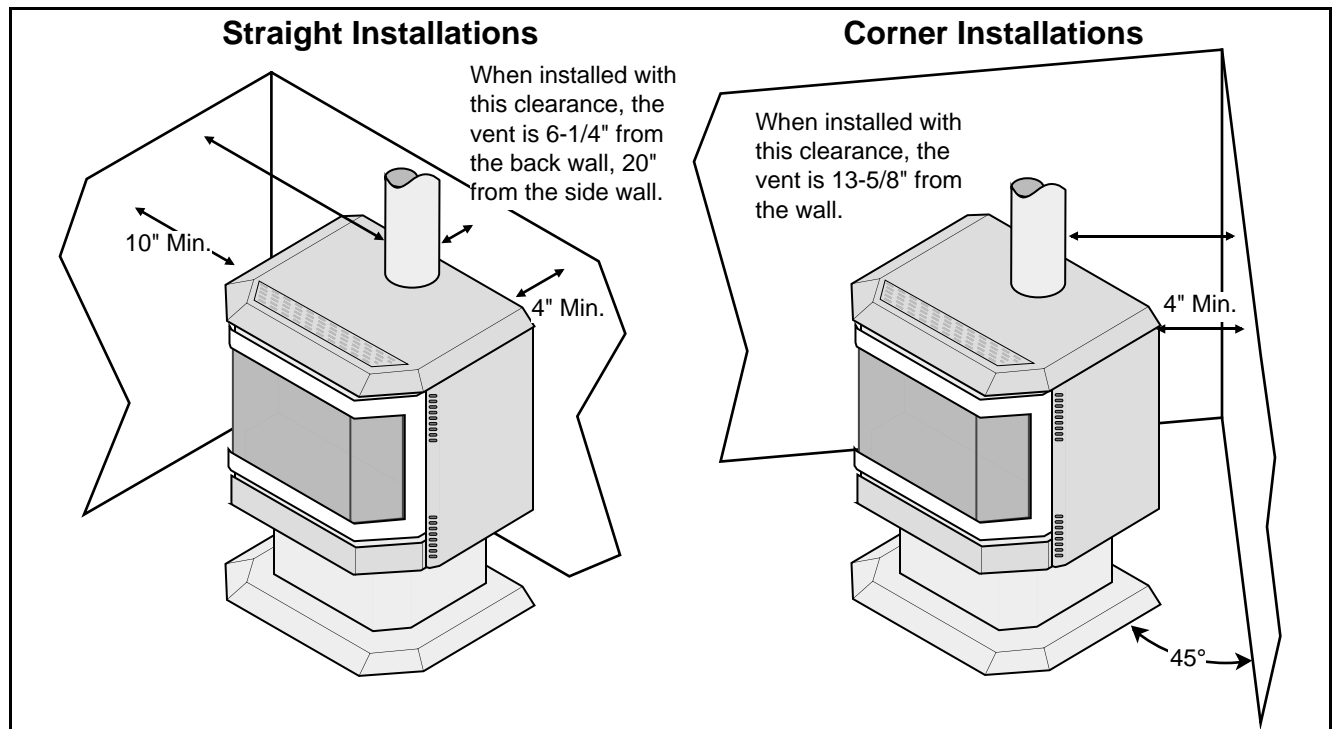
## Floor Protection Requirements

- When the stove is installed directly on carpeting, vinyl or other combustible material other than wood flooring, the stove must be installed on a metal or wood protection panel extending the full width and depth of the pedestal (Minimum 24-1/2" wide by 20" deep).

## Heater Placement Requirements

- Heater must be installed on a level surface capable of supporting the heater and vent
- Due to the high temperature of the heater, it should be located out of traffic and away from furniture and draperies. Heater must be placed so no combustibles are within, or can swing within 36" of the front of the heater (e.g. drapes, doors)
- ? When placed in a location where the floor to ceiling height is under 7 feet, the installation is considered an alcove and must meet the following requirements:
  - The alcove floor to ceiling height must be at least 58" tall
  - The alcove must not be more than 48" deep (before the ceiling returns to 7 feet)
  - The alcove must be at least 44-1/2" wide
- The stove must not be placed so the vents below or above the door, along the sides of stove, or along the back of the heater can become blocked.

## Clearances



- + Clearances may be reduced by methods specified in NFPA 211, listed wall shields, pipe shields, or other means approved by local building or fire officials.

**Gas Line Install**

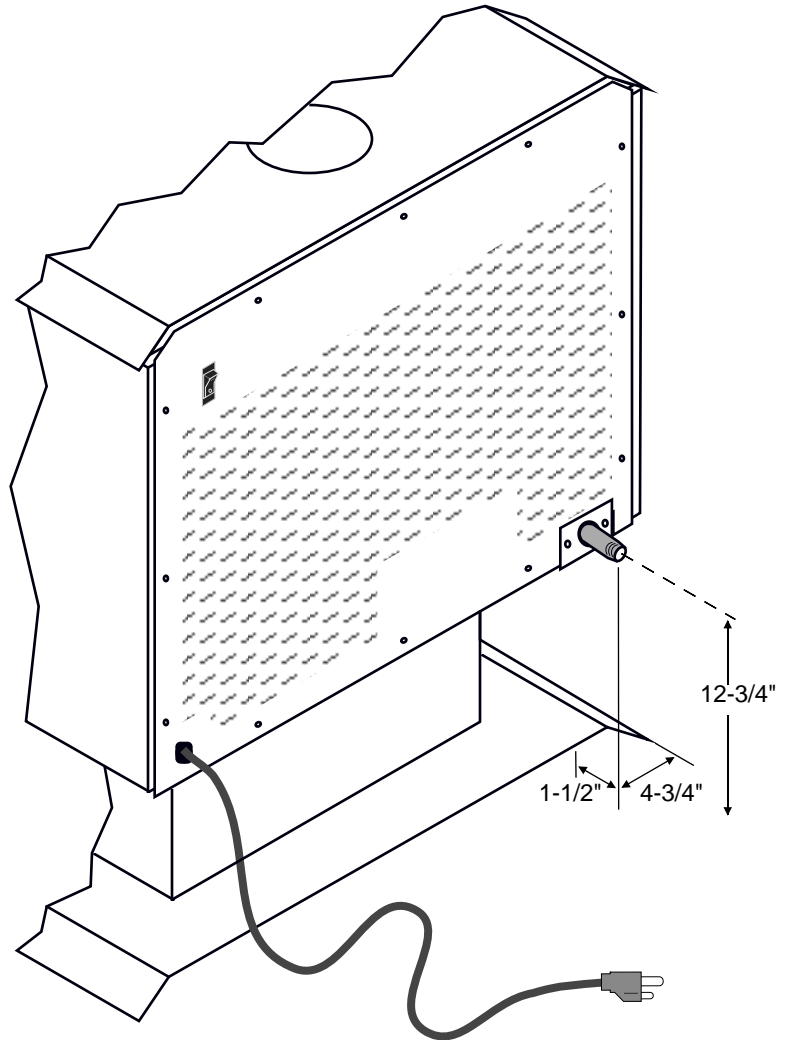
- ! The gas line must be installed in accordance with all local codes, if any; if not, follow ANSI Z223.1 and the requirements listed below.
- ! The heater and gas control valve must be disconnected from the gas supply piping during any pressure testing of that system at test pressures in excess of 1/2 psig. For pressures under 1/2 psig, isolate the gas supply piping by closing the manual shutoff valve.
- Leak test all gas line joints and the gas control valve prior to and after starting the heater.

**Fuel**

- This heater is designed either for natural gas or for propane (but not for both). Check the sticker on the top of the gas control valve to make sure the correct fuel is used.

**Gas Line Connection**

- The gas inlet accepts a 3/8" F.P.T. Fitting
- The location of the gas inlet is shown to the right
- A manual shutoff valve is required for installation (it must be located within 3' of the heater)



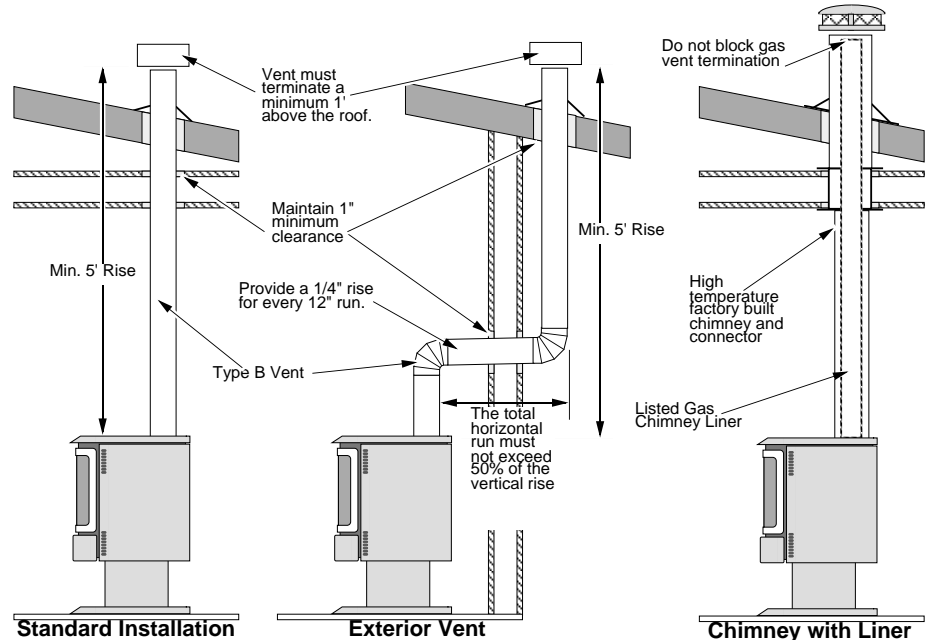
**Gas Inlet Pressure**

- With the heater off, the inlet pressure must meet the requirements listed in the table below
- ? If the pressure is not sufficient, make sure the piping used is large enough and the total gas load for the residence does not exceed the amount supplied.
- ? The supply regulator (the regulator that attaches directly to the residence inlet or to the propane tank) should supply gas at the suggested input pressure listed below. Contact the local gas supplier if the regulator is at an improper pressure.

	<b>Minimum Input Pressure</b>
<b>Natural Gas</b>	5.5" W.C.
<b>Propane</b>	11" W.C.

## Vent Requirements

- ! Always maintain the required 1" clearance (air space) to combustible materials to prevent a fire hazard. Do not fill air spaces with insulation.
- ! The gas appliance and vent system must be vented directly to the outside of the building, and never be attached to a chimney serving a separate solid fuel or gas-burning appliance.
- Minimum 5' vertical rise from top of stove (see the illustration below)
- When the vent passes through a wall, a wall thimble is required. When the vent passes through a ceiling, a support box or firestop is required. When the vent passes through the roof, a roof flashing and storm collar are required. Follow the instructions and requirements provided with the vent when installing.
- The horizontal run may not exceed 50% of the vertical rise
- Use 4" dia. B vent for entire system from one manufacturer (don't mix brands)



- or -

Use high temperature factory built or masonry chimney with listed gas chimney liner running the entire length

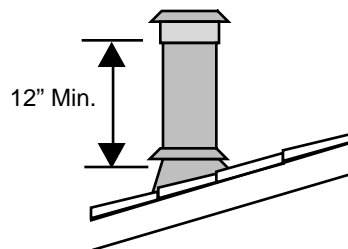
- Vent termination must be above the roof and not below any eaves or overhangs

**Drafting Performance** This appliance relies upon natural draft to operate. External forces, such as wind, barometric pressure, topography, or factors of the home (negative pressure from exhaust fans, chimneys, air infiltration, etc.), may adversely affect draft. Travis Industries can not be responsible for external forces leading to less than optimal performance.

## Vent Termination Requirements

- Vent termination must have an approved cap (to prevent water from entering)
- Vent termination must not be located where it will become plugged by snow or other material

- Vent termination must be 1' above the roof **and** meet the requirements outlined in ANSI Z223.1, section 7.6.2.



**Note:** ANSI 223.1, section 7.6.2 outlines additional requirements for gas vent terminations. If your installation involves a roof with a slope greater than 6/12 or if a wall or other vertical obstruction is within 8' of the vent termination, the vent termination will need to be taller. Refer to ANSI 223.1 for full details.

- ! When installed, the vent must provide suitable draft for the appliance. Other factors, such as exhaust fans, may create negative pressure inside the home and cause down drafts. Additional vent height may be required in these circumstances.

## Electrical Connection

- Plug the power cord into a grounded 110 Volt outlet (do not remove the grounding plug).

## Installation Preparation

- ! This appliance must be installed in accordance with all local codes, if any; if not, follow ANSI Z223.1 and the requirements listed in this manual. Failure to follow all of the requirements may result in property damage, bodily injury, or even death.
- ! Notify your insurance company before hooking up this heater.
- ! The requirements listed below are divided into sections. All requirements must be met simultaneously. The order of installation is not rigid – the qualified installer should follow the procedure best suited for the installation.

### Items Packed with the Heater

- Avanti Gas Heater (with Faceplate)
- Propane Conversion Kit
- Log Set (2 Logs, 2 Twigs, Coals)
- Owner's Manual
- Strain Relief (for power cord)
- Strain Relief Bracket
- Flue Ring (used on freestanding stoves only)
- 2 Gas Inlet Pipes (the shorter one is for inserts)

### Items Packed with the Insert Panel Kit

- Top, Left, and Right Surround Panels
- Trim Kit (3 pieces trim, 2 "L" brackets, set screws, double-back tape)
- Two Leveling Bolts
- Insert Power Cord Bracket with Two 10-24 Nuts

### Items Packed with the Insert Shell Kit

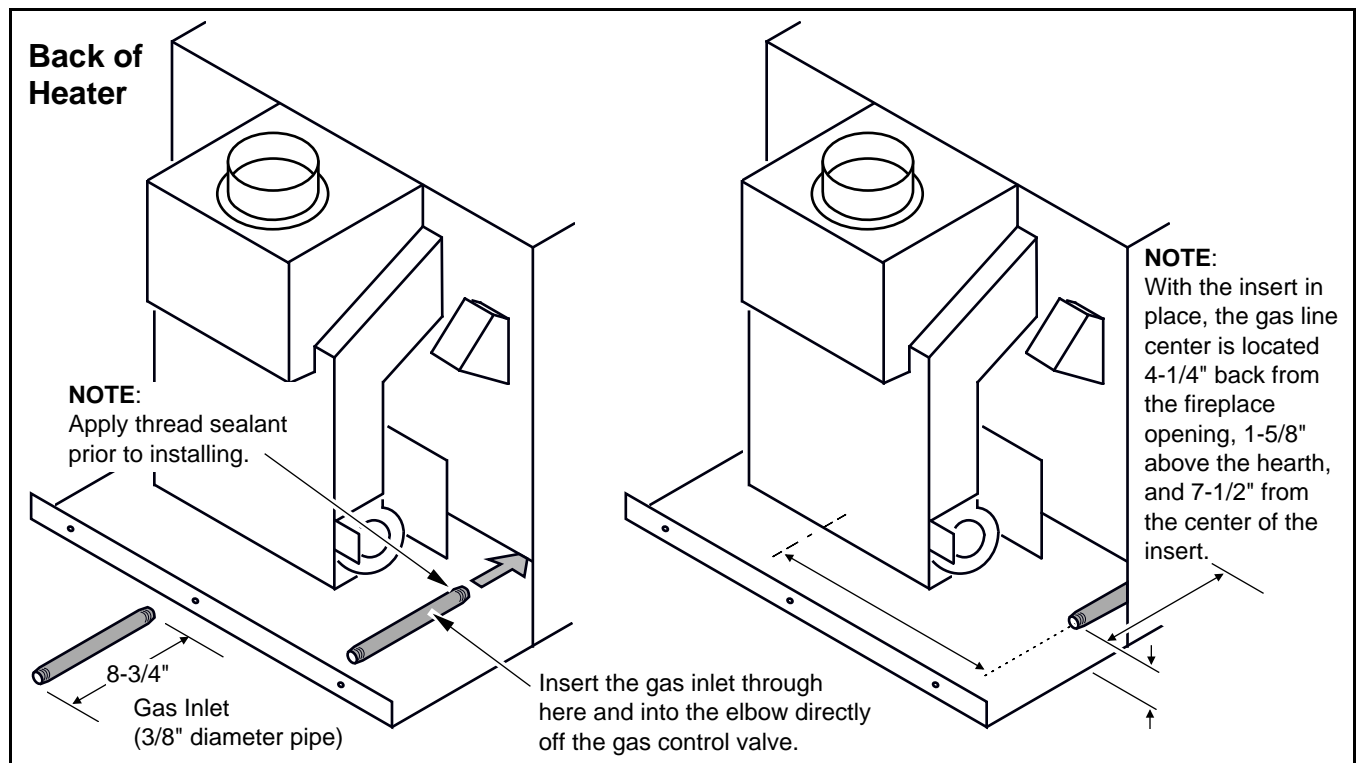
- Upper Top • Control Cover • Hardware Kit

## Order of Installation

- 1 If the heater is to use propane, install the propane conversion kit (see pages 38 - 43)
- 2 Install the gas inlet (8-3/4" length of 3/8" pipe)
- 3 Install the power cord
- 4 Position the heater (see "Heater Placement")
- 5 Connect the gas line. Connect the gas vent.
- 6 Install the logs and test the heater (see the instructions under "Finalizing the Installation")
- 7 Install the insert panel kit.
- 8 Install the insert shell kit.
- 9 Follow the instructions under "Finalizing the Installation" on pages 20 through 26.

## Installing the Gas Inlet

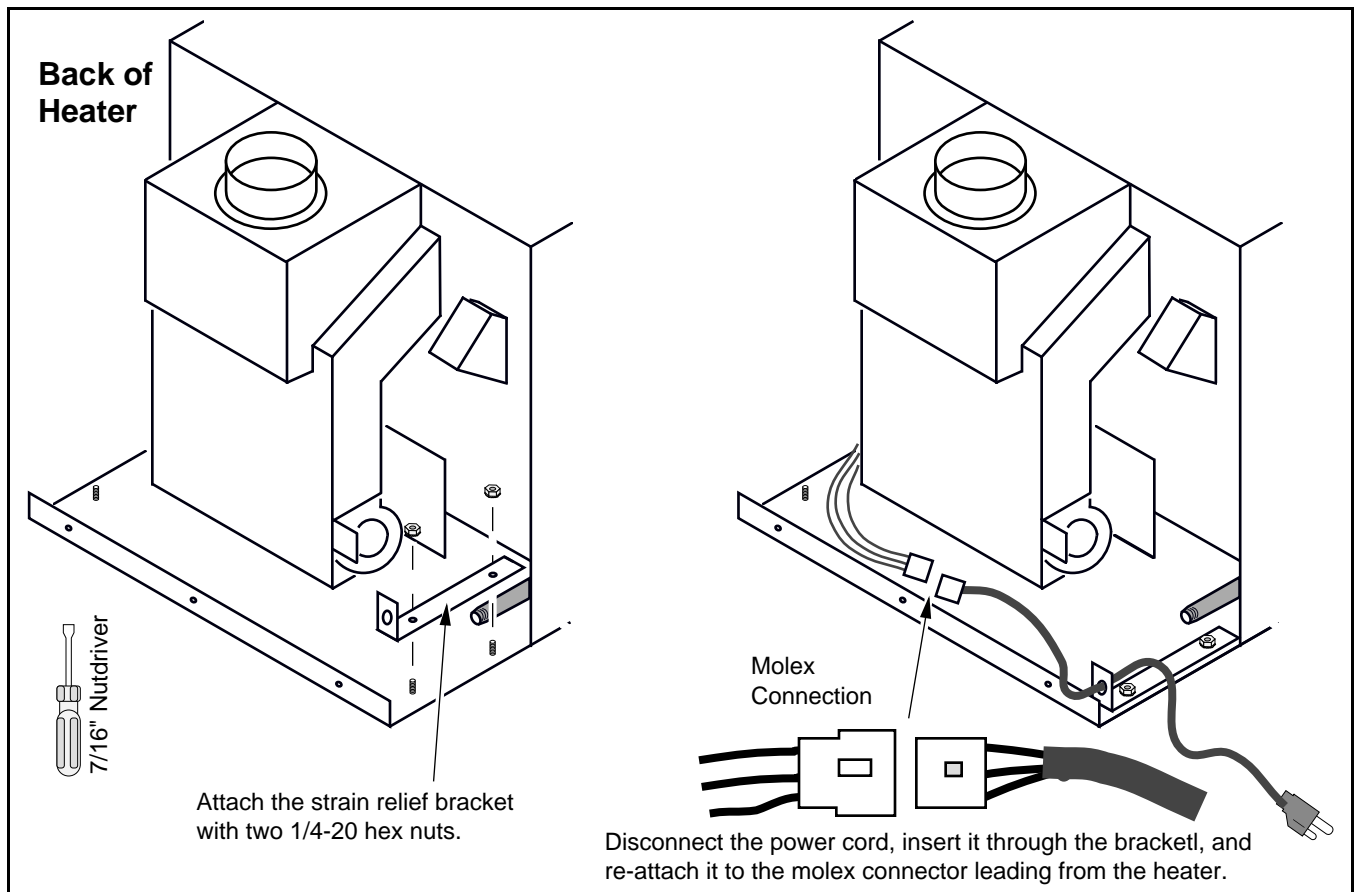
- Locate the 8-3/4" gas inlet pipe included with the heater (the longer one may be discarded). Apply thread sealant to one end and insert it through the rear of the insert into the 90° elbow on the gas control valve (see the illustration below). Tighten with a pipe wrench.



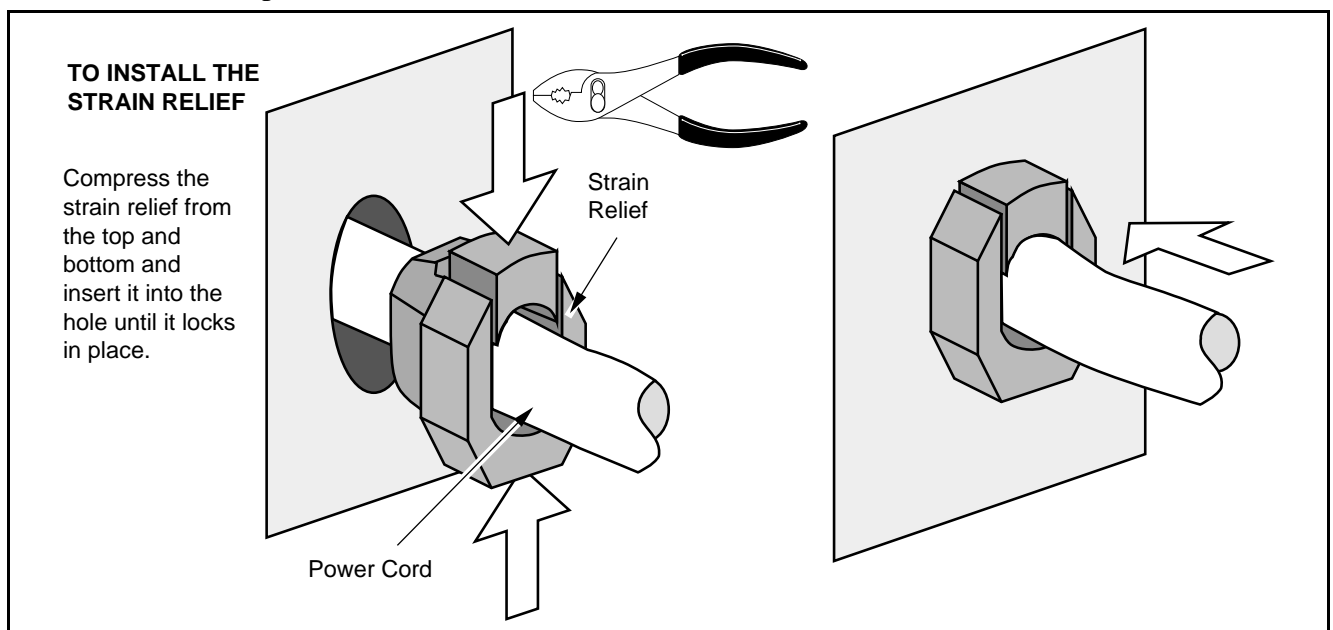
- ! Leak check all gas line connections.

## Installing the Power Cord

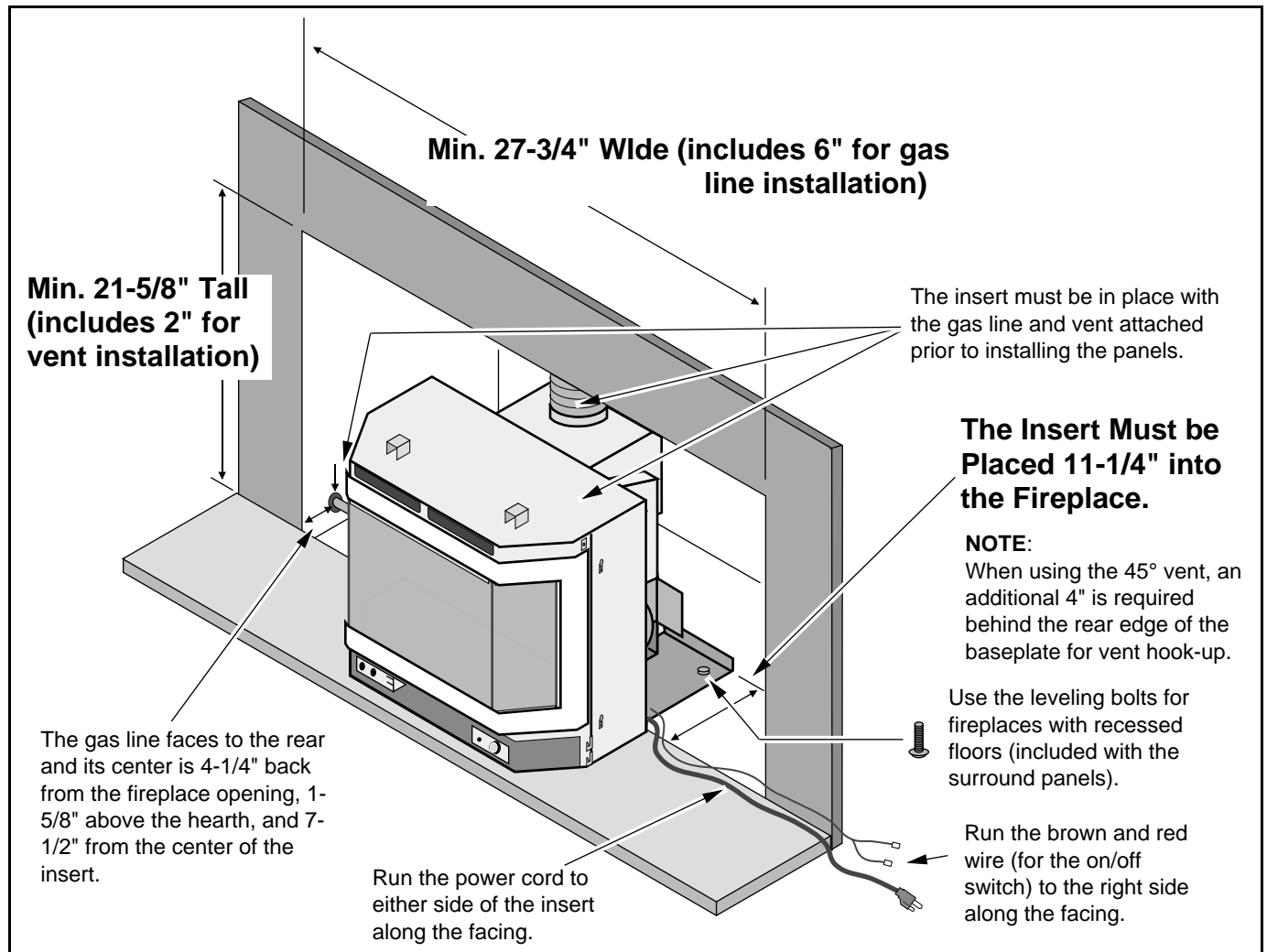
- 1 The power cord may be located on either side. Place the insert power cord bracket (included with the owner's pack) over the two studs and tighten with two 1/4-20 hex nuts (see illustration below).



- 2 Pull gently on the power cord to take out any extra slack. Attach the strain relief (it is shipped attached to the power cord - see the illustration below).



## Insert Placement



- Insert must be placed so no combustibles are within, or can swing within 36" of the front of the heater (e.g. drapes, doors)
- The insert may be placed inside a masonry fireplace or listed zero-clearance (metal) fireplace
- The insert must be installed in a level, undamaged fireplace (damage must be repaired prior to installation). Use the included leveling bolts to level the insert in fireplaces with recessed floors.
- The insert must maintain 10" clearance to sidewalls (measure from the upper top)
- Non-combustible facing (e.g. brick, tile) must extend 8" minimum from the side and 12" to the top of the insert (measure from the upper top)
- Combustible mantles must be a minimum 17-1/2" above the top of the insert (measure from the upper top)
- + Clearances may be reduced by methods specified in NFPA 211, listed wall shields or other means approved by local building or fire officials.

## Floor Protection

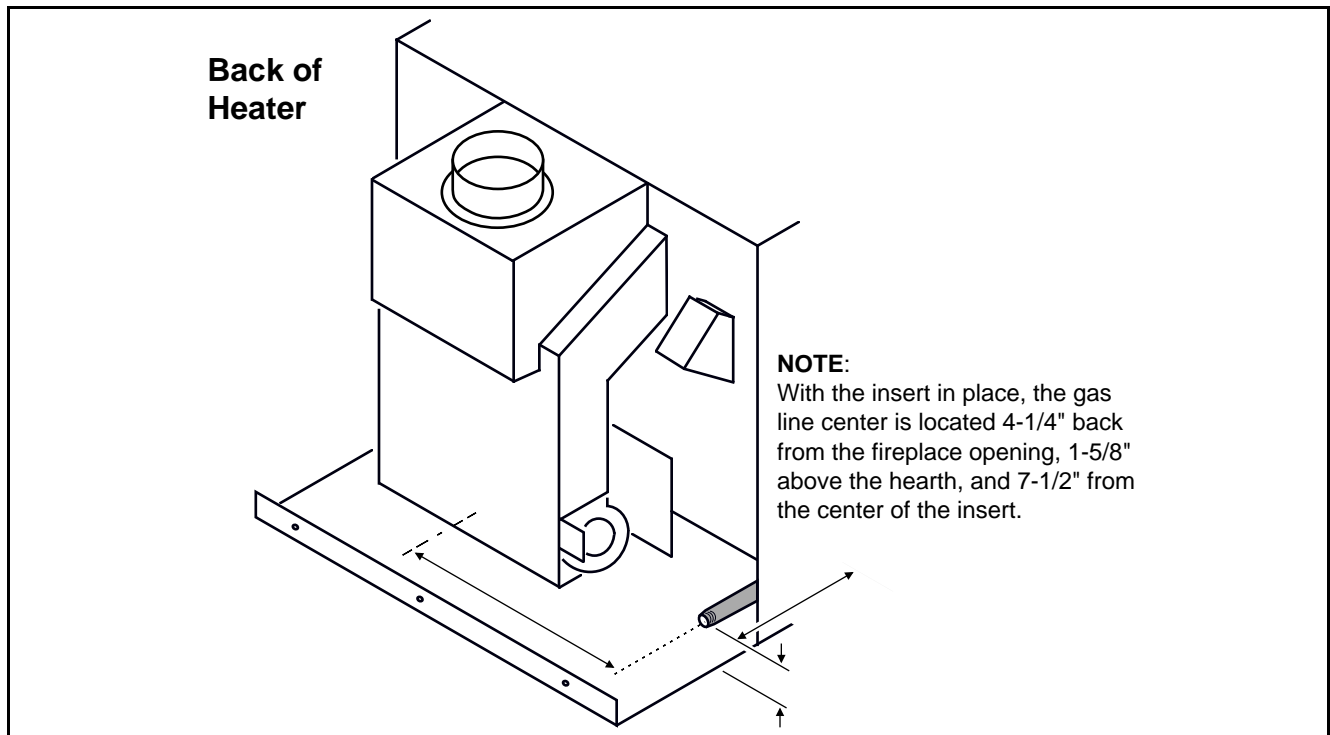
- The heater must be installed on a non-combustible hearth and may not extend over combustible flooring

## Gas Line Install

- ! The gas line must be installed in accordance with all local codes, if any; if not, follow ANSI Z223.1 and the requirements listed below.
- ! The heater and gas control valve must be disconnected from the gas supply piping during any pressure testing of that system at test pressures in excess of 1/2 psig. For pressures under 1/2 psig, isolate the gas supply piping by closing the manual shutoff valve.
- Leak test all gas line joints and the gas control valve prior to and after starting the heater.

## Gas Line Connection

- The gas inlet accepts a 3/8" F.P.T. Fitting
- The location of the gas inlet is shown below
- A manual shutoff valve is required for installation (it must be located within 3' of the heater)



## Fuel

- This heater is designed either for natural gas or for propane (but not for both). Check the sticker on the top of the gas control valve to make sure the correct fuel is used.

## Gas Inlet Pressure

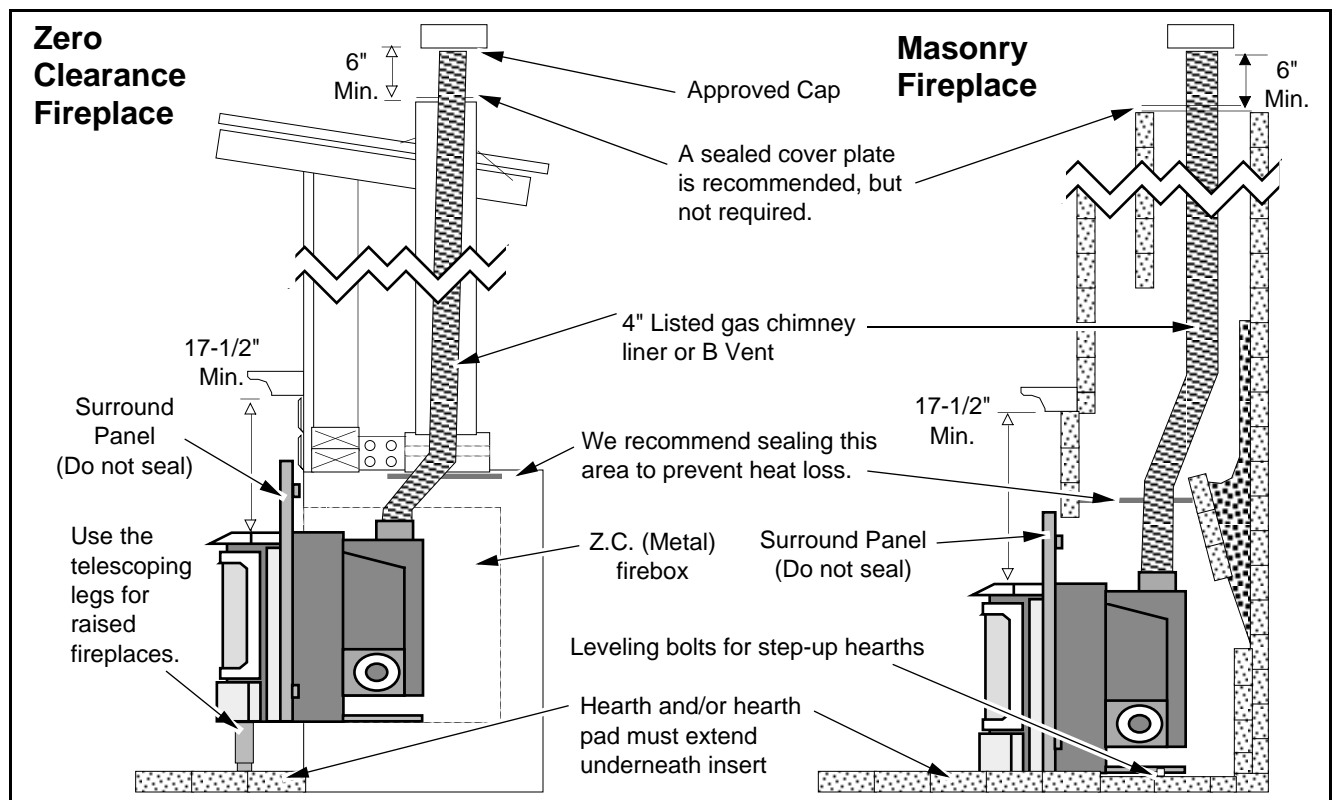
- With the heater off, the inlet pressure must meet the requirements listed in the table below
- ? If the pressure is not sufficient, make sure the piping used is large enough and the total gas load for the residence does not exceed the amount supplied.
- ? The supply regulator (the regulator that attaches directly to the residence inlet or to the propane tank) should supply gas at the suggested input pressure listed below. Contact the local gas supplier if the regulator is at an improper pressure.

	Minimum Input Pressure
Natural Gas	5.5" W.C.
Propane	11" W.C.



**Vent Requirements**

- ! Always maintain the required 1" clearance to combustibles to prevent a fire hazard.
- ! The gas appliance and vent system must be vented directly to the outside of the building, and never be attached to a chimney serving a separate solid fuel or gas-burning appliance.
- The vent must reline the entire length of the chimney and have a minimum 5' vertical rise
- Horizontal run may not exceed 50% of the vertical rise
- Use 4" listed gas chimney liner or B vent from one manufacturer (don't mix brands)
- ? When using flexible gas vent, do not crimp or rupture the liner when bending it into chimney offsets
- When installed, the vent must meet all of the vent manufacturer's requirements
- ? When installed, the vent must provide suitable draft for the appliance. Other factors, such as exhaust fans, may create negative pressure inside the home and cause down drafts. Additional vent height may be required in these circumstances.



**Drafting Performance** This appliance relies upon natural draft to operate. External forces, such as wind, barometric pressure, topography, or factors of the home (negative pressure from exhaust fans, chimneys, air infiltration, etc.), may adversely affect draft. Travis Industries can not be responsible for external forces leading to less than optimal performance.

**Vent Termination Requirements**

- Vent termination must have an approved cap (to prevent water from entering)
- Vent termination must not be located where it will become plugged by snow or other material
- Vent termination must extend a minimum of 6" above the top of the chimney

**Electrical Connection**

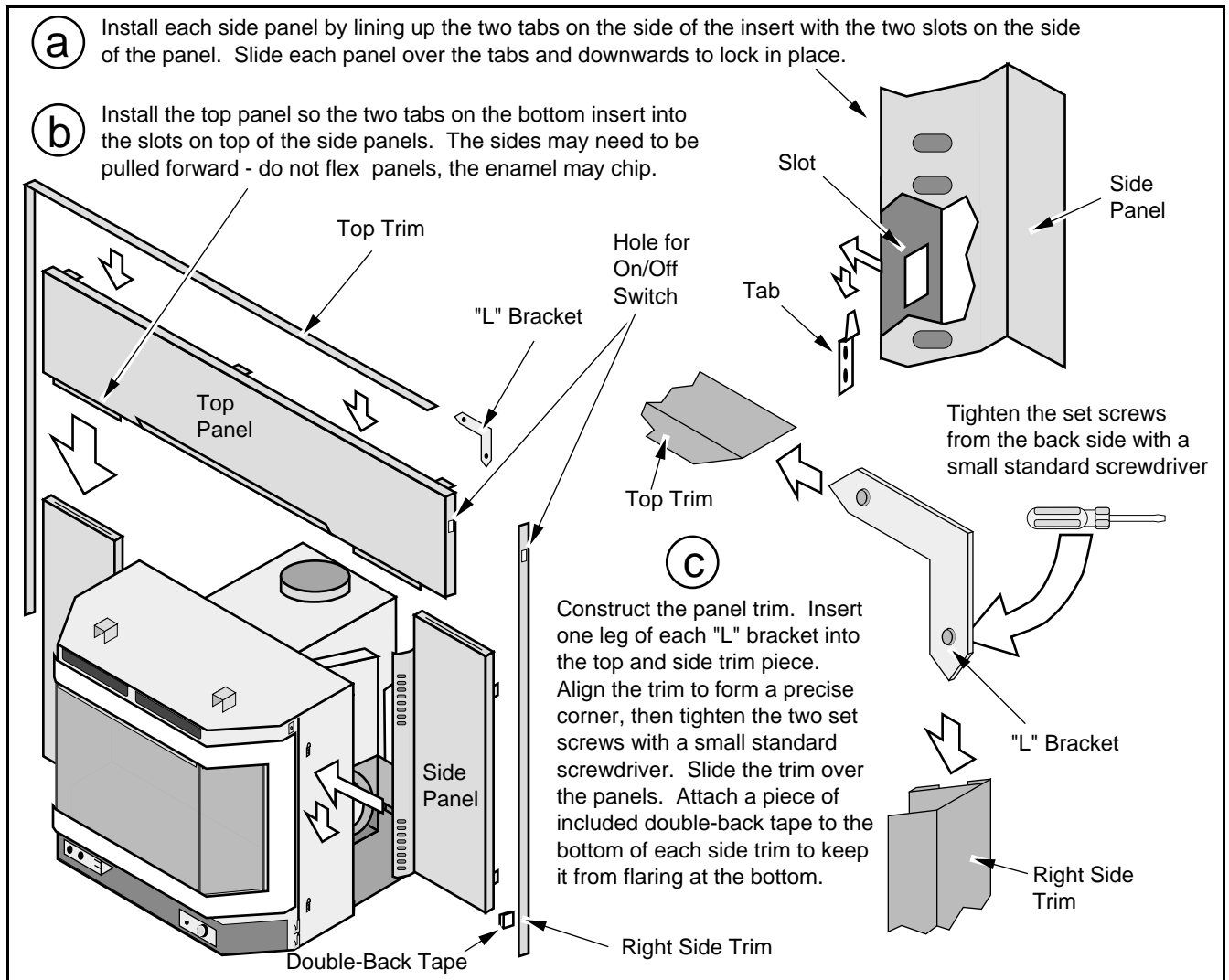
- Plug the power cord into a grounded 110 Volt outlet (do not remove the grounding plug).

## Surround Panel Installation

+ The surround panels come in the variety of sizes and colors listed below

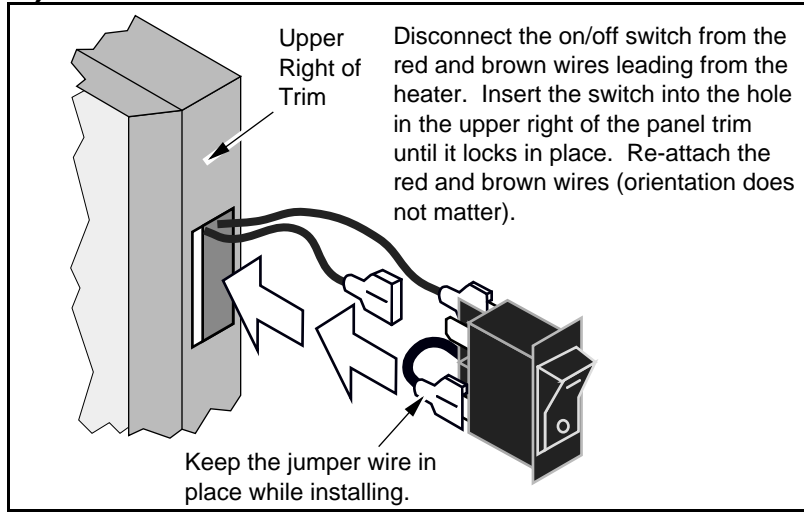
COLOR	PANEL SIZE	WIDTH	HEIGHT	PART #
Black (Paint)	8" x 10"	40-1/4"	28-3/4"	99300410
Black (Paint)	10" x 13"	44-1/4"	31-3/4"	99300420
Almond (Enamel)	8" x 10"	40-1/4"	28-3/4"	99300411
Almond (Enamel)	10" x 13"	44-1/4"	31-3/4"	99300421
Green (Enamel)	8" x 10"	40-1/4"	28-3/4"	99300412
Green (Enamel)	10" x 13"	44-1/4"	31-3/4"	99300422

- 1 The insert must be in place with the gas line and vent attached prior to installing the panels. The rear edge of the insert must be 11-1/4" behind the facing of the fireplace for the panels to fit correctly.
- 2 Run the power cord to either side of the insert along the facing.
- 3 Locate the two red wires leading to the on/off switch (they can be found on the right side of the insert near the rear). Disconnect the on/off switch from the wires and run the wires to the right side of the insert. Keep the green jumper wire attached to the on/off switch.
- 4 Follow the instructions below for installing the panels and trim.



**Surround Panel Installation (continued)**

- 5 Thread the red wires for the on/off switch through the hole in the upper right of the panels and trim (thread the wires from the inside).
- ? If installing a thermostat or remote control, install it at this point (see the owner's manual or the instructions included with the kit).
- 6 Attach the two red wires to the top posts of the on/off switch. Press the switch into the hole in the panel and trim until it locks in place.

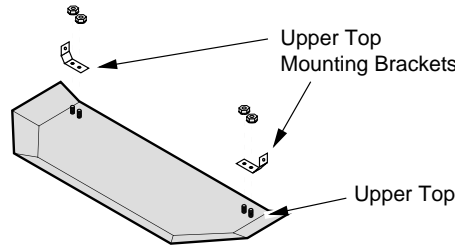


**Insert Shell Installation**

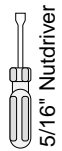
+ The insert shell comes in the following colors

COLOR	PART #
Black (Paint)	99200310
Almond (Enamel)	99200311
Green (Enamel)	99200312

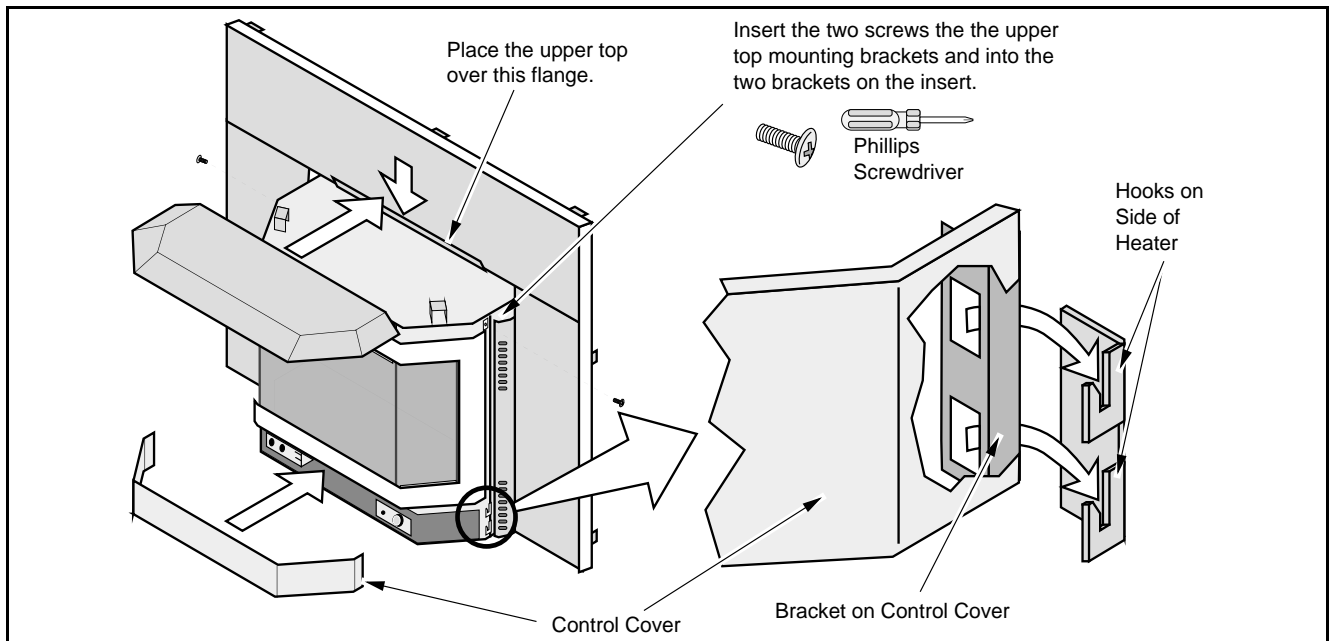
- 1 Place the upper top upside down against a non-scratching surface. Attach the two upper top mounting brackets to the upper top with the four included nuts (use a 3/8" nutdriver).



**WARNING:** Do not over-tighten the nuts, this may cause the enamel to chip or crack.

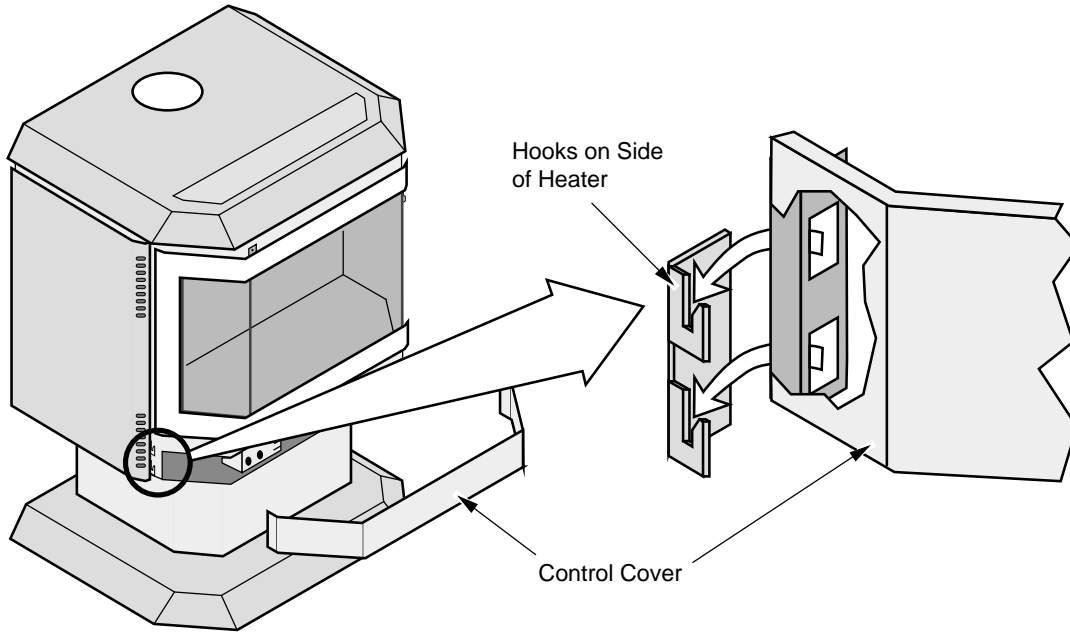


- 2 Place the upper top on the insert so the flange on the back of the upper top goes over the flange on the top panel. Push the upper top towards the rear until it forms an even gap with the top panel. Attach the upper top to the insert with the two screws (use a phillips screwdriver). Install the control cover.

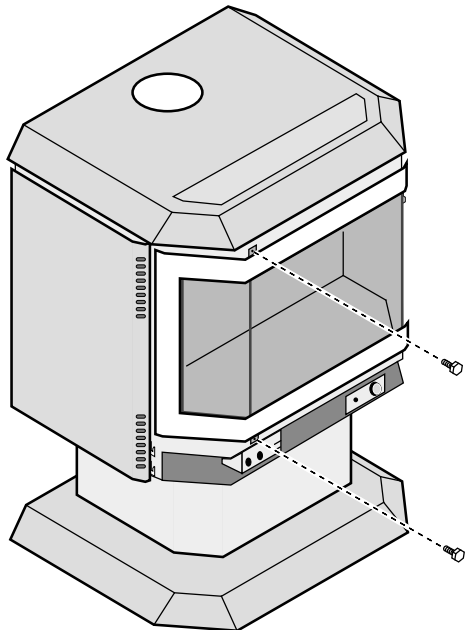


- ! Turn the gas control valve to "OFF" prior to conducting any service.
- 1 Follow the directions below to open the door.

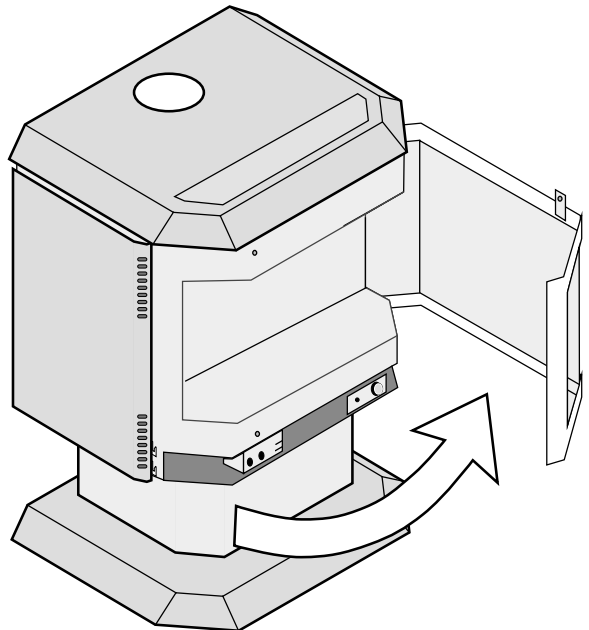
**Lift the control cover off the heater**



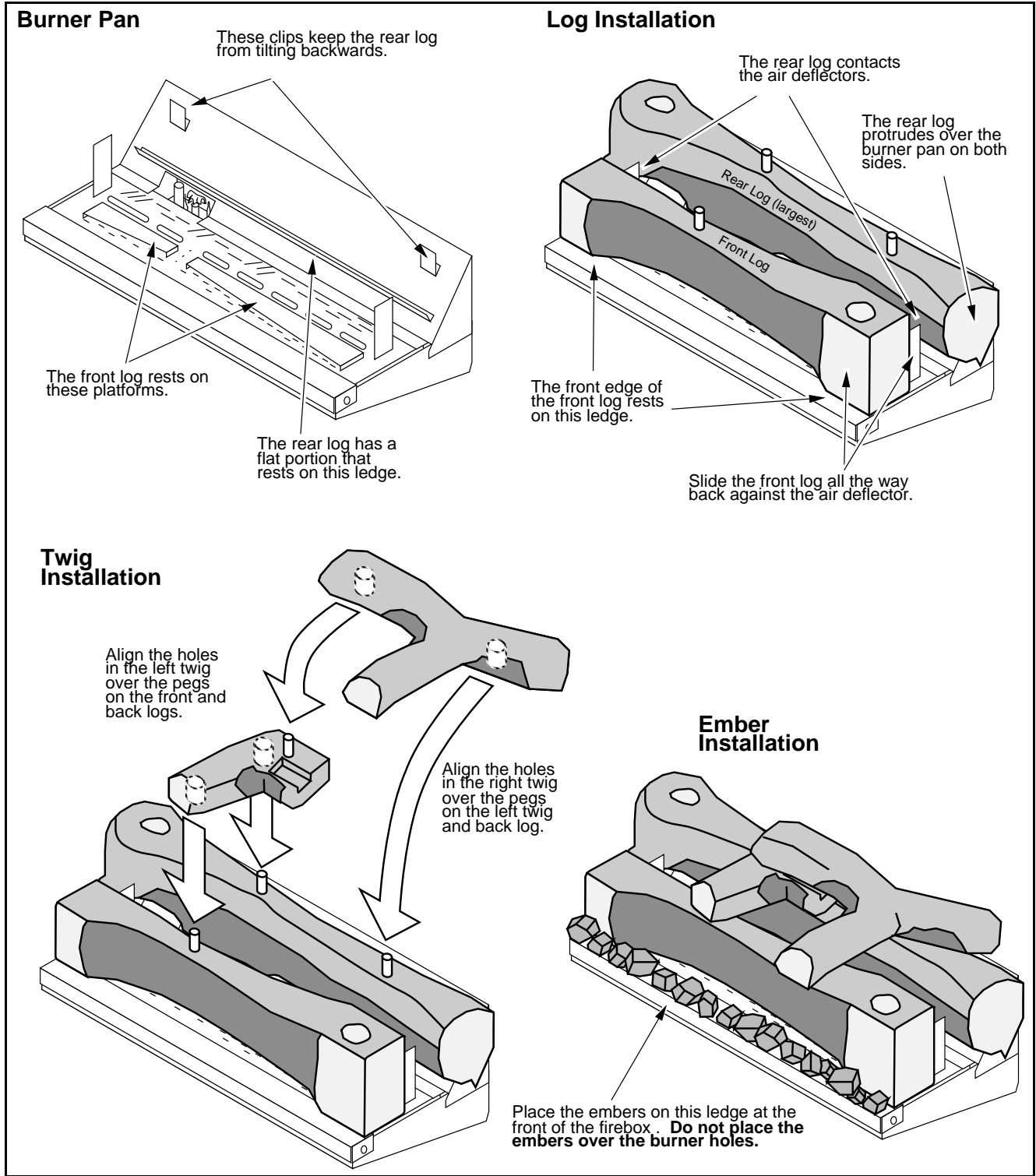
**Remove the two screws holding the door in place.**



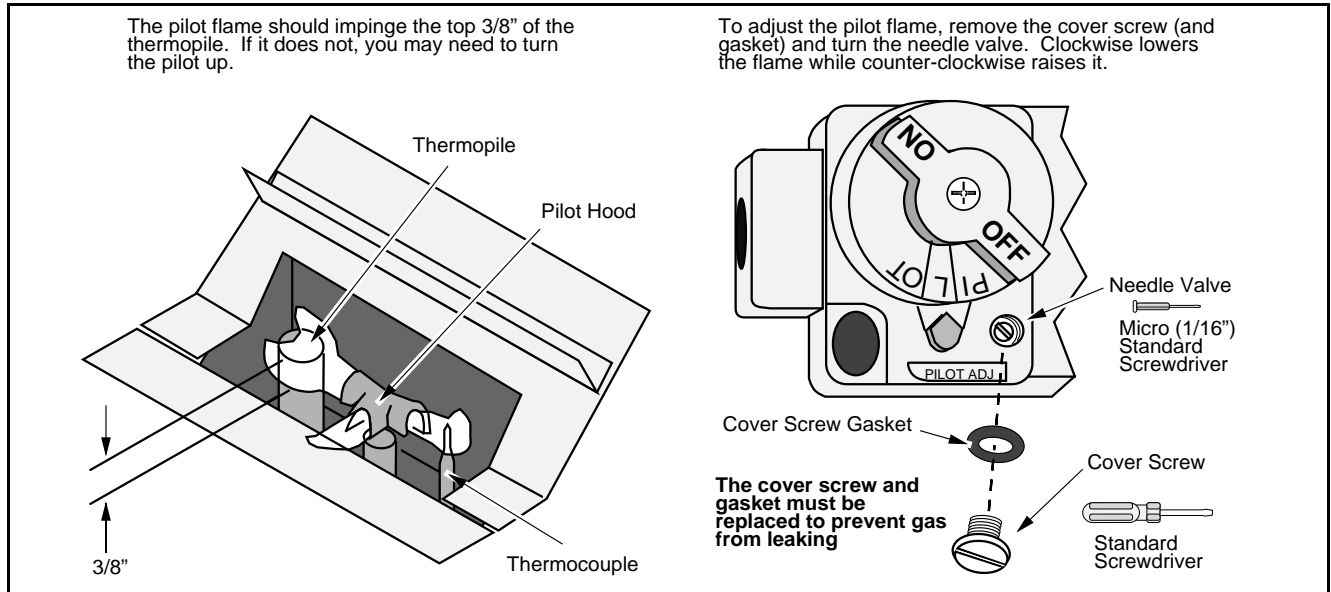
**Swing the door open.**



2 Install the logs, twigs, and embers.



- 3 Close the door. Make sure the door is centered and the attachment screws are tightened to form a seal around the door opening.
- 4 Purge the gas line. Turn on gas to the heater. Leak test all gas joints prior to starting the appliance. Start the pilot. Start the main burner. Leak test all gas joints again.
- 5 Check the pilot flame to make sure it looks like the illustration below. Adjust the pilot flame if necessary.



- 6 Ensure the heater establishes a draft. If the heater unexpectedly shuts off 5 to 25 minutes after starting, the heater may not be drafting. The cause: negative pressure. Typically, re-starting the heater five minutes after the shutoff will overcome the negative pressure and establish a draft. However, if this does not work, you may wish to open a door or window near the heater. This will allow in enough air in to overcome any negative pressure. Once drafting is initiated, the heater will work properly without having to re-start the heater or allow in outside air. This is due to the heat generated by the pilot.

**Possible Causes of Negative Pressure:**

- Exhaust fans (Jenn-Aire type fans in kitchens, bathroom fans)
- Vent termination located near a down draft or against prevailing winds
- Internal home pressure characteristics (multiple fireplaces, etc...)

- 7 Let the heater burn for fifteen minutes. Adjust the air shutter, if necessary, to achieve the correct looking flame (see the illustration below).

- The air shutter adjusts the amount of air that mixes with the gas before it exits the burner holes. It is used to fine-tune the flame for differences in altitude and vent configuration.

Locate the air shutter adjustment lever behind the gas control valve. Move it up or down until the flame looks correct. Pushing up gives the flame more air (making it bluer). Pulling it down cuts air down, making it more orange.

**NOTE:** If the air control is all the way up, yet the flames remain sooty, shut off gas to the fireplace and contact a qualified gas service technician.

Gas Control Valve

**NOTE:** The logs must be installed correctly to monitor the flame while adjusting the air shutter.

**Correct**

Flames should be blue at the base, yellow-orange on the top.

**Not Enough Air**

If the flames are over 12" tall or sooty on the ends, push up on the lever.

**Too Much Air**

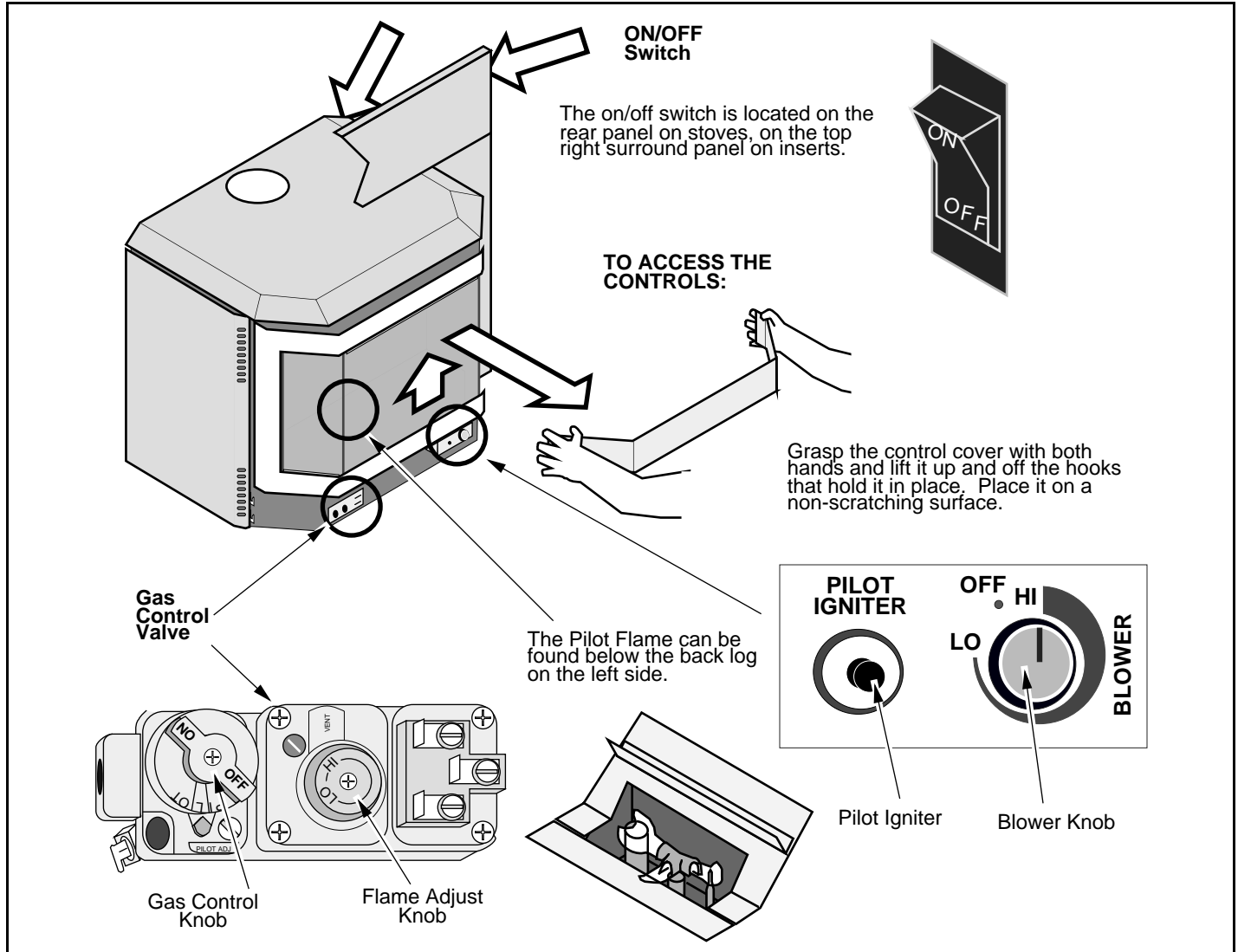
If the flames are all blue and short, pull down the lever.

- ! If the air shutter is in its fully open position, yet the flames remain sooty, shut off gas to the heater and contact your Travis Industries Dealer for a remedy.
- 8 Turn the flame adjust knob to its highest position - the flames should be between 10" and 12". Check the flame on low position. The flames should burn off of each burner hole. If the heater does not work correctly, contact your Travis Industries Dealer for a remedy.
- 9 Give this manual to the home owner and fully explain the operation of this heater.

**Before You Begin**

**!** Read this entire manual before you use your new heater (especially the section "Safety Precautions" on pages 2 & 3). Failure to follow the instructions may result in property damage, bodily injury, or even death.

**Location of Controls - See explanation below**



- Blower Knob**      This knob controls the speed of the internal convection blower that pushes the heated air into the room.
- On/Off Switch**      This control is used to turn the heater on and off.
- Pilot Igniter**      The pilot igniter is used only to start the pilot. When pressed, it sends an electrical charge to the pilot assembly. This creates a blue spark directly next to the pilot, igniting the pilot flame.
- Gas Control Knob**      This knob is used to control gas to the heater and for starting the pilot. There are three positions, ON, OFF, & PILOT. The pointer directly below the knob indicates the position this knob is in.
- Flame Adjust Knob**      This knob controls the flame height from low ("LO") to high ("HI"). The pointer to the upper right of the knob points to the position this knob is in.

? If using a remote control or thermostat, the On/Off Switch must be left "ON". Turning the On/Off Switch "OFF" will keep the heater off always.

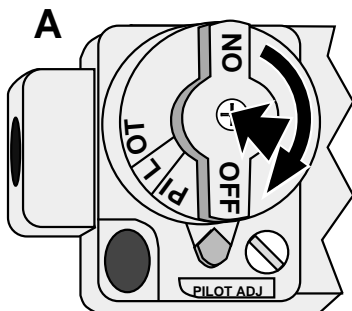


## Starting The Pilot Flame

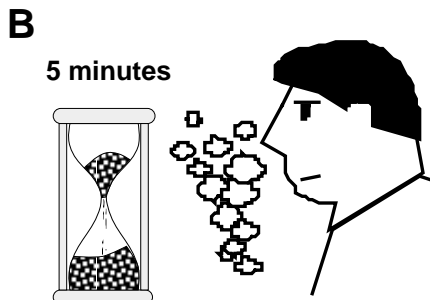
The pilot flame is required to ignite the main burners (it also plays a safety role). It should be left on once lit. It will stay lit unless the gas control valve is turned to "OFF". However, the pilot will go out if the gas is shut off or if the stove malfunctions. If the pilot turns off frequently, call your dealer for information. To start the pilot follow the directions below:

**NOTE: IF YOU'RE TRYING TO RE-LIGHT THE PILOT BECAUSE SERVICE WAS PERFORMED ON THE UNIT (I.E. GAS LINE REMOVED THEN RE-INSTALLED OR BECAUSE TANK RAN OUT OF GAS), FOLLOW THE INSTRUCTIONS FOR REMOVING THE GLASS AND LOGS ON PAGES 26 THROUGH 28 THEN BLEED THE GAS LINE.**

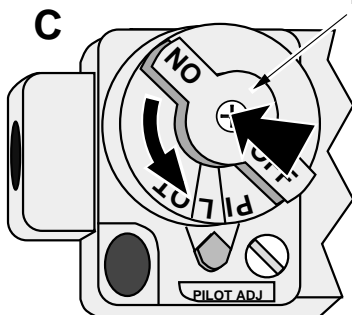
**A** Push the gas control knob in slightly and turn it to the "OFF" position. The knob will not turn from "ON" to "OFF" unless the knob is depressed slightly.



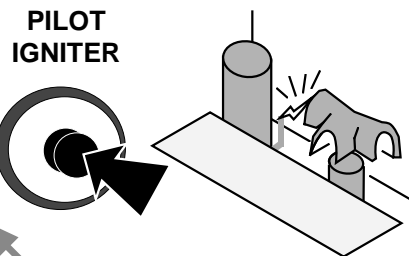
**B** Wait five minutes to let any gas that may have accumulated inside the firebox escape. If you smell gas, follow the directions on the cover "IF YOU SMELL GAS".



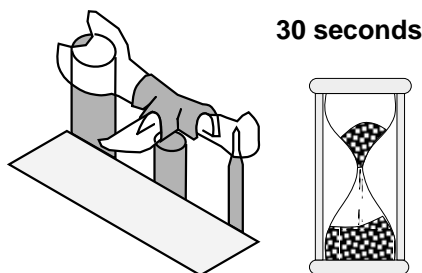
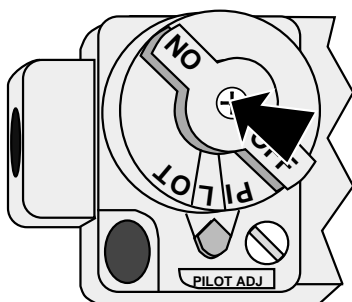
**C** Turn the gas control knob to the "PILOT" position and press the knob in, this will allow gas to flow to the pilot light. Press the red button on the pilot igniter repeatedly until you see the pilot light. **KEEP THE GAS CONTROL KNOB DEPRESSED FOR 30 SECONDS ONCE IT IS LIT. NOTE: IF THE PILOT DOES NOT LIGHT AFTER 15 SECONDS, RELEASE THE KNOB AND CALL YOUR DEALER FOR SERVICE.**



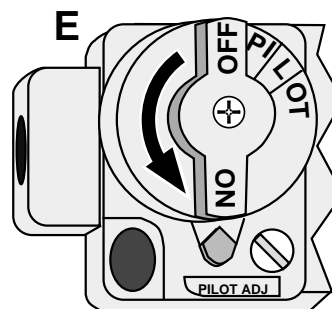
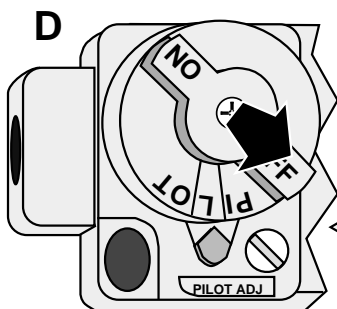
**Do not press knob in for more than 15 seconds if pilot does not light. Call Your Dealer For Service**



**D** Release the gas control knob. If the pilot goes out, repeat step C. If the pilot refuses to stay lit, call your dealer for service.



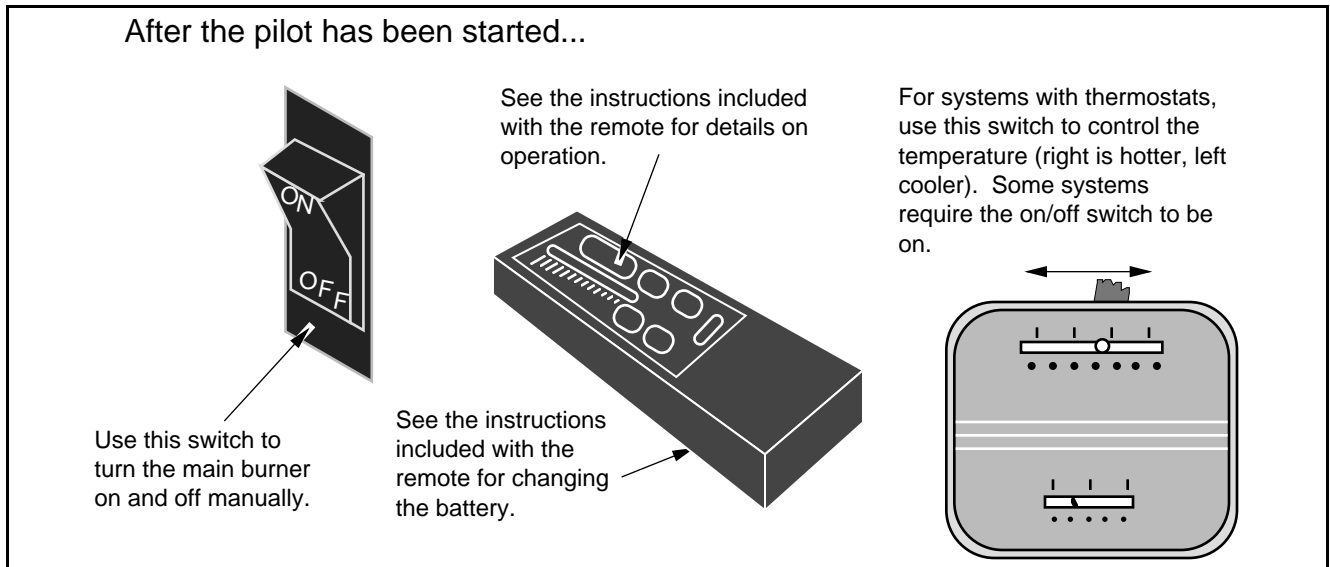
**E** Turn the gas control knob counter-clockwise to "ON". The pilot is now lit and the stove can be turned on and off.



### **Starting the Heater for the First Time**

- **Painted Stoves** require the paint to be cured. Start the heater and burn on low for 20 minutes. Turn off and let cool. Repeat twice to fully cure the paint.
- + **Fumes** and smoke from the paint curing and oil burning off the steel may occur the first time you start your heater. This is normal. We recommend you open windows to vent the room.
- + **Condensation** may appear on the glass each time you start the heater - this is normal.
- + **Blue Flames** will occur on the heater when it first comes on. After fifteen minutes the flames will turn a more realistic yellow and orange color.
- ? Certain installations use a remote "wall switch" to turn the heater on and off. If this is the case, leave the ON/OFF switch "ON".

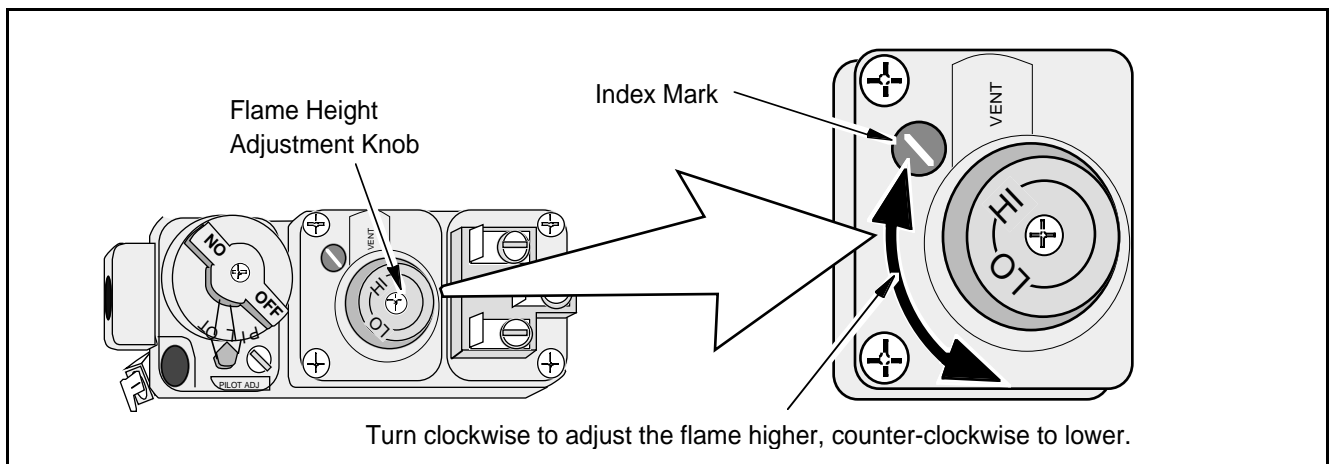
### **Turning the Heater On and Off**



- ! Do not place any combustible items on top of or directly in front of the heater, even temporarily. The optional thermostat may start the heater causing a combustible item to ignite.
- ? If the heater turns on and off frequently while using the thermostat, you may want to adjust the flame height down until it produces just enough heat needed.

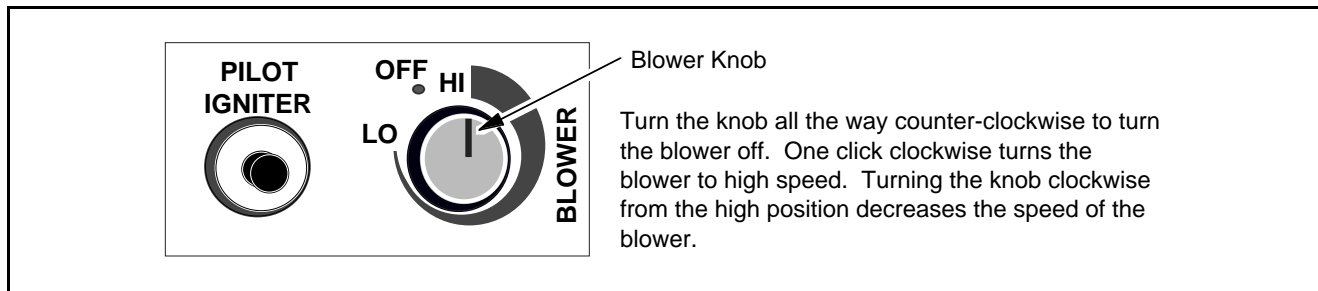
### **Adjusting the Flame Height**

- + Your heater has an adjustable flame to tailor the look and heat output to your specific needs. It is adjusted by turning the middle dial on the gas control valve.

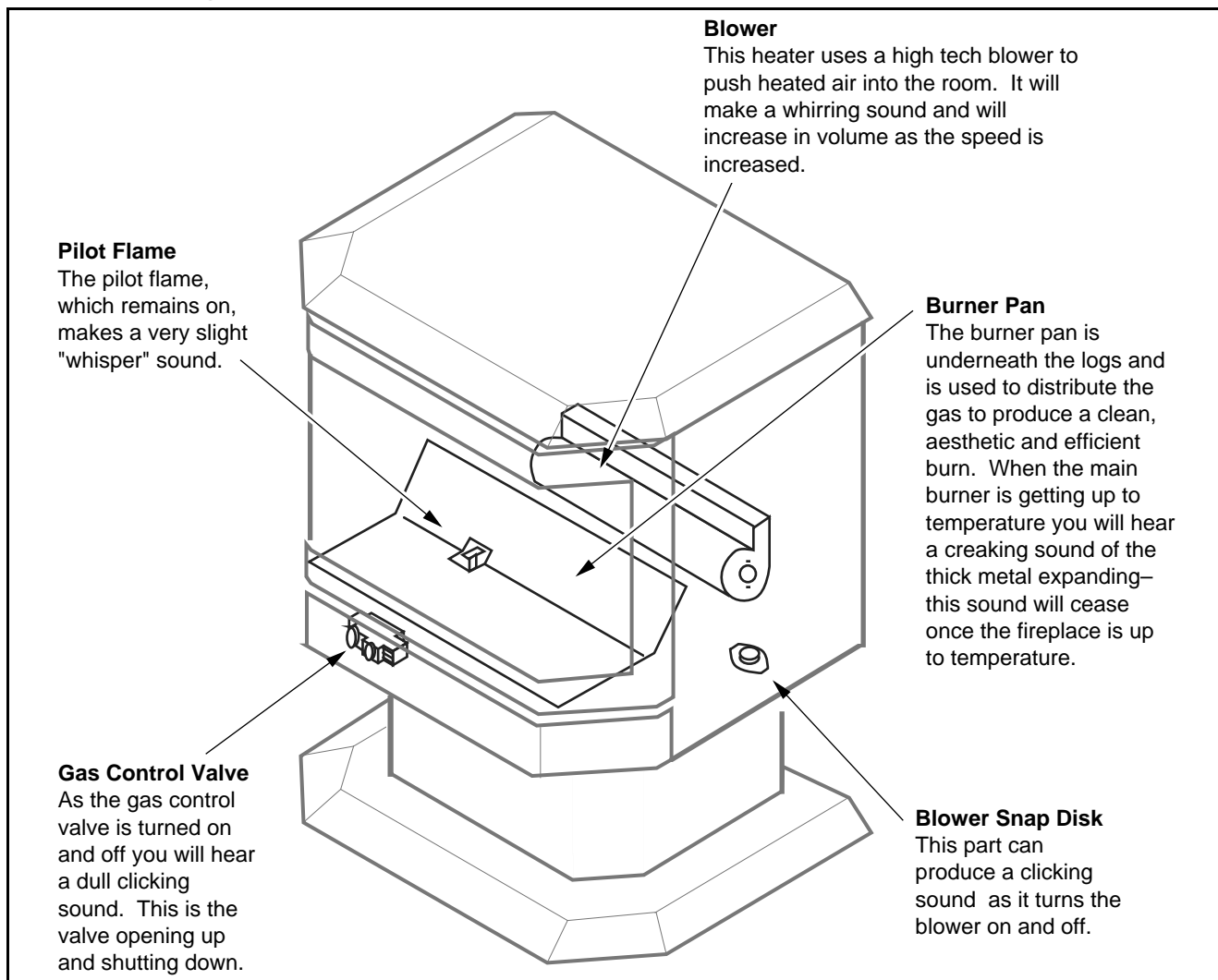


## Adjusting the Blower Speed

- + The blower helps transfer the heat from the heater into the room. It will not turn on until the heater is up to temperature (approximately 10 minutes after starting). See the illustration below for instructions on adjusting the blower speed.



## Normal Operating Sounds



## Maintaining Your Stove's Appearance

- ! The enameled surfaces may chip if struck. Damaged surfaces may be repaired using the enamel touch-up paint available from Travis Industries.
- ! Fingerprints or other marks left on the gold surface may become etched in place if they are not wiped clean prior to turning the stove on. Clean the surfaces with denatured alcohol and a soft cloth.

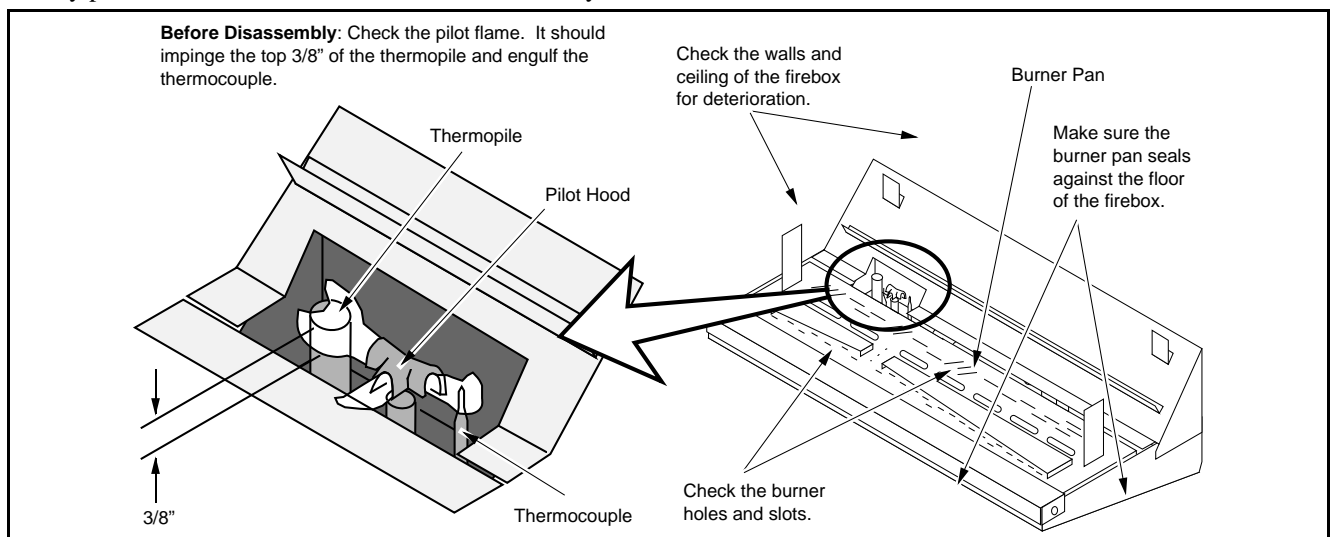
## Cleaning Your Stove

- Use denatured alcohol and a soft cloth to clean the gold surfaces. Other cleaners may leave a film that may become etched into the gold.
- Enameled surfaces may be cleaned with a soft rag, soap and water.

## Yearly Service Procedure

- ! Failure to inspect and maintain the heater may lead to improper combustion and a potentially dangerous situation. We recommend the following procedures be done by a qualified technician.
- 1 Check the pilot flame. It should engulf approximately 3/8" of the top of the thermocouple (see illustration below). If it does not, contact your dealer for service.
  - 2 Shut off gas to the heater by turning the gas control knob to "OFF" (see step A under "Starting the Pilot" on page 25). Let the heater cool for 15 minutes. Open the door (see step 1 on page 20).
  - 3 Remove the logs, twigs and coals (see page 21 - **NOTE: the logs are fragile**). If any log is cracked or deteriorated, replace it when re-installing. Check the logs for sooting. A small amount of soot along the bottom of the logs is normal. If excessive sooting is found, the heater will require adjustment. Contact your dealer.
  - 4 Clean the burner pan (especially in the burner holes and slots) and inspect the following:
    - Check for burner pan holes that are cracked, severely warped, or corroded.
    - Make sure the burner pan assembly fits flat against the floor of the firebox.
    - Check the firebox and area around the pilot to make sure there is no warping or damage.

If any problem is found, discontinue use and contact your dealer for service.



- 5 Replace the log set. Inspect the glass and door gasket. If it is deteriorated, replace. It may be re-attached using high-temperature gasket cement (see page 22 for an illustration). If the glass is damaged, replace it. Replace the glass and tighten the glass clip nuts fully. Make sure the gasket forms a seal and the side pieces of glass butt up against the center piece. If needed, re-align or replace the gasket to insure an air-tight seal. Close the door.
- 6 Inspect the area behind the control cover. Check the gas control valve and all of the gas lines. If any damage is found, discontinue use and contact your dealer for service.
- 7 Start the pilot and turn on the main burner. The flames should be orange/yellow and not touch the top of the firebox. If the pilot or main burners do not burn correctly, contact your dealer for service. Monitor the blower operation.
- 8 Remove any debris or vegetation near the vent termination. Contact your dealer if any sooting or deterioration is found near the vent termination.

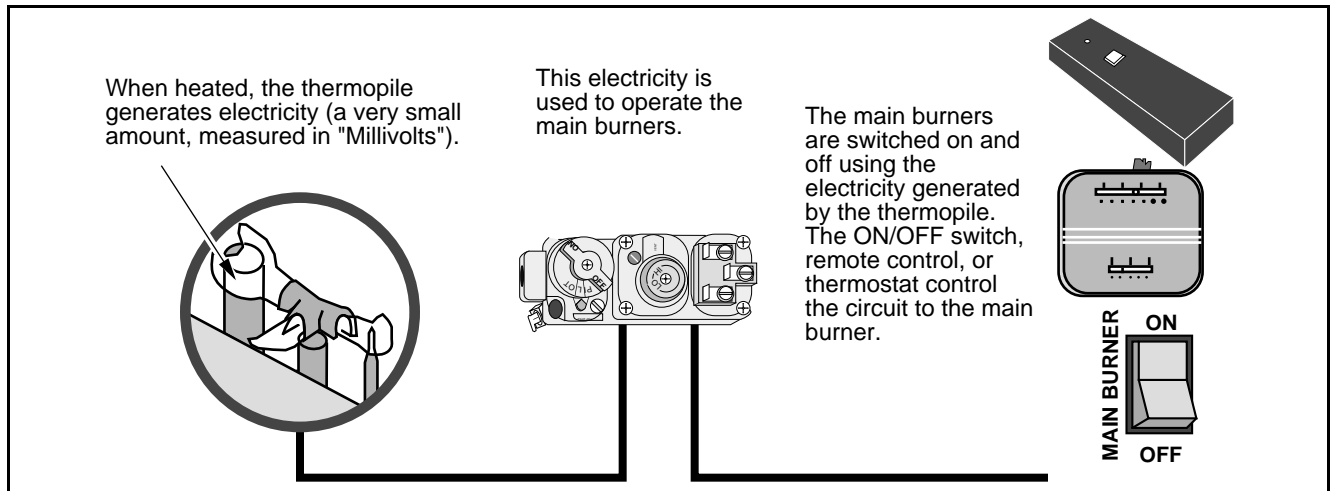
<b>Problem:</b>	<b>Possible Cause:</b>	<b>Don't Call for Service Until You:</b>
<b>Pilot Will Not Light</b>	A gas shut off valve is turned off..... The valve control knob isn't turned to "PILOT"..... The valve control knob isn't pushed in..... The igniter wasn't pressed repeatedly.....	Check all gas shut off valves See "Starting the Pilot Light" Step C See "Starting the Pilot Light" Step C See "Starting the Pilot Light" Step C
<b>Main Burners Will Not Start</b>	The pilot light has gone out..... The ON/OFF switch is turned to "OFF"..... The remote control is not working correctly..... The thermostat is disconnected or set too low.....	See "Starting the Pilot Light" Turn the ON/OFF switch to "ON" See the remote control instructions See "Thermostat Operation"
<b>Remote Control Does Not Work</b>	The pilot light has gone out..... The ON/OFF switch is turned to "OFF"..... The remote is too far away from the heater..... The remote control receiver is turned "Off" or "On"..... One of the two remote control batteries is dead.....	See "Starting the Pilot Light" Turn the ON/OFF switch to "ON" Use the remote closer to the heater See the remote control instructions See the remote control instructions
<b>Thermostat Does Not Work</b>	The pilot light has gone out..... The ON/OFF switch is turned to "OFF"..... The thermostat is set too low.....	See "Starting the Pilot Light" Turn the ON/OFF switch to "ON" See "Thermostat Operation"
<b>Blower Will Not Distribute Heat</b>	The heater is unplugged..... The heater is not up to temperature.....	Plug the heater in. See "Operating Your Heater"
<b>Pilot Goes Out Once A Month Or More</b>	The gas supply has been shut off..... The vent is experiencing a cold air blockage or a negative pressure situation exists in the home.....	Keep the gas supply turned on This is a necessary safety feature that disables the heater if a down draft occurs. If this problem is persistent the vent may need to be improved or changes may need to be done to remove the negative pressure inside the home - see your dealer for details
<b>Flame (and Pilot) Goes Out 10 to 25 Minutes After Starting</b>	The vent is experiencing a cold air blockage or a negative pressure situation exists in the home.....	This is a necessary safety feature. First try restarting the heater. If it works correctly, a cold air blockage occurred and the vent just needed to be heated sufficiently. If this problem is persistent the vent may need to be improved or changes may need to be done to remove the negative pressure inside the home - see your dealer for details
<b>Flames Are Too Blue</b>	The heater has just been started..... Improper air shutter adjustment.....	Normal - see "Operating Your Heater" Adjust Air Shutter - contact your dealer
<b>Flames Are Orange With Dirty Smoke</b>	Something may be placed against the heater..... Improper air shutter adjustment.....	See "How this Heater Works" Adjust Air Shutter - contact your dealer
<b>Flames Are Too Short (Under 6")</b>	The flame height may be turned too low..... Something may be placed against the heater.....	Turn the flame height to "HI" - See "Operating Your Heater" See "How this Heater Works"
<b>Thin Layer of Soot Covers the Glass</b>	The logs are placed incorrectly..... Improper air shutter adjustment.....	See "Installing the Logs and Ember Strip" Adjust Air Shutter - contact your dealer

## How this Heater Works

- ! This heater was designed with safety as the primary concern. Many of the components inside this heater are for safety purposes. Therefore, only certified gas service technicians should service this heater.

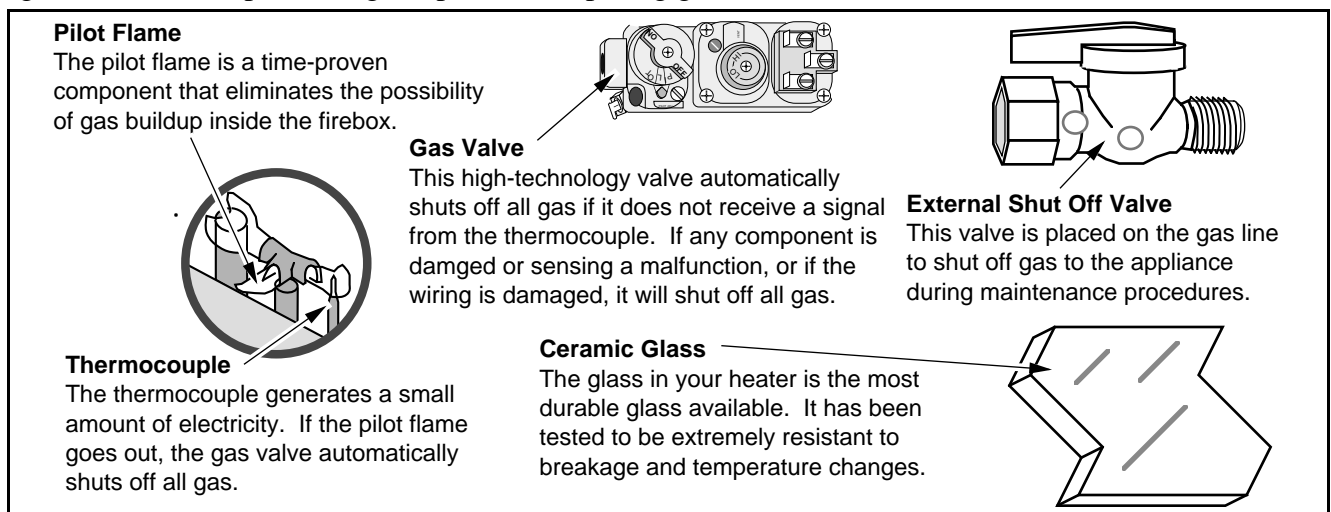
## What Turns the Main Burners On and Off

This heater uses a millivolt system to control its operation (a millivolt is a very small amount of electricity). The thermopile and thermocouple generate electricity when heated by the pilot flame. This electricity is used to operate the gas valve. Without enough electricity, the gas valve will not turn on. That is why when starting the pilot the gas control knob has to be pressed in long enough for the thermocouple to heat up and generate enough electricity. The thermopile provides power for the ON/OFF switch, remote control, or thermostat (see the illustration below). Because the thermopile generates the electricity needed to turn the heater on and off, this heater can be operated when the power is out (although the blower will not run).



## What Prevents Gas Buildup

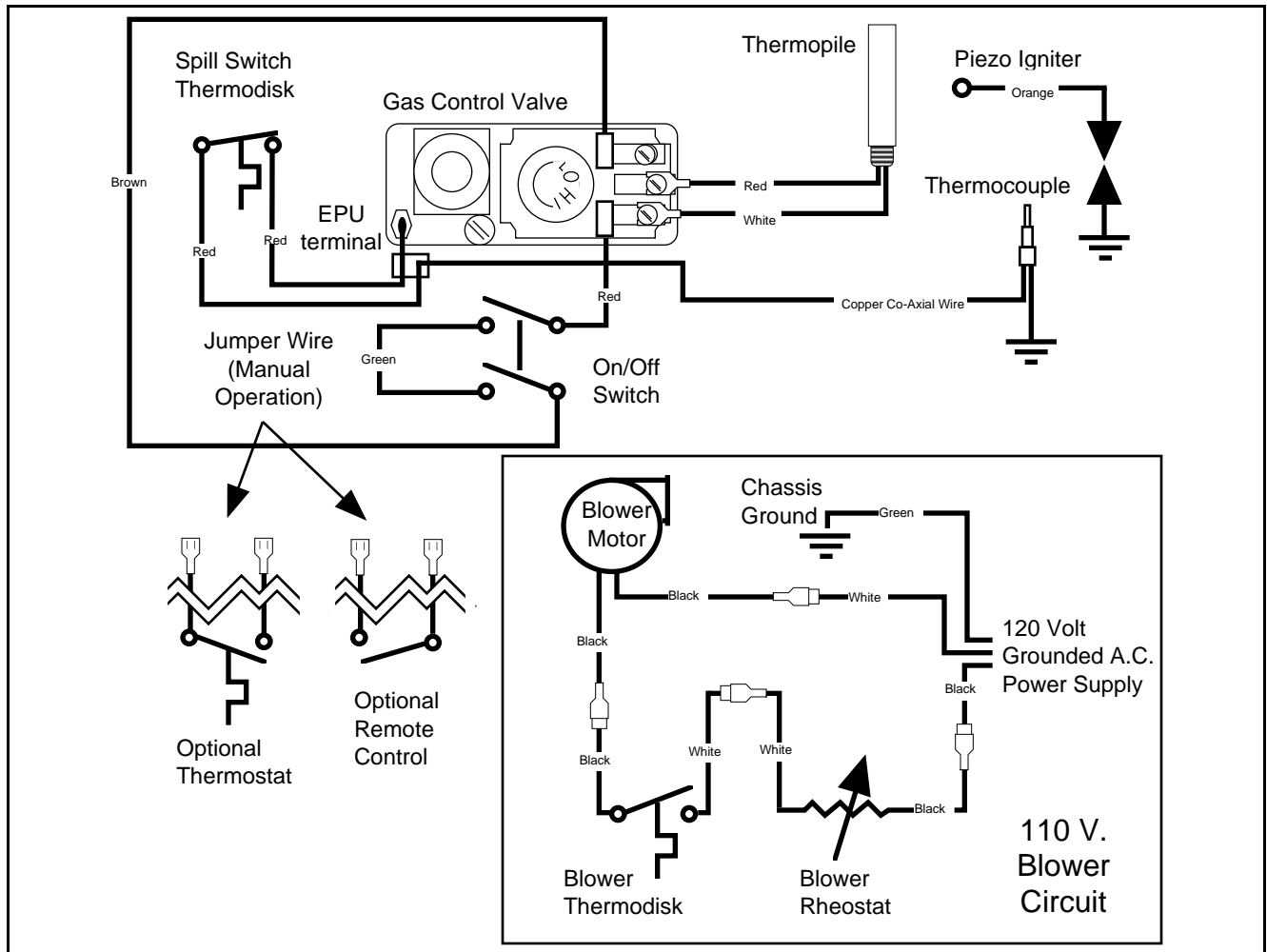
- + This appliance utilizes a high-technology gas valve in conjunction with a pilot flame to ensure no gas builds up inside the firebox.
- + The thermocouple (next to the pilot) senses when the pilot flame is lit. If the pilot flame goes out, this thermocouple no longer generates electricity, causing the gas valve to automatically shut off all gas to the heater, preventing the pilot from spilling gas into the firebox.



### Why Nothing Should Be Placed Against the Heater

Your heater has a grill on the sides and top that must not be blocked. The area around the control cover allows air into the firebox. If it is blocked the combustion inside the firebox will not burn normally. This will result in reduced efficiency and the exhaust gases will become dirty. The convection air openings on the side and top are used to draw room air over the hottest parts of the heater and distribute the warmed air into the room. If they are blocked, the heater will not heat as well and may become too hot internally.

### Wiring Diagram



### Replacement Parts List

Replacement parts are available at your dealer. Contact Travis Industries for information on the closest dealer. The parts listed below are the only parts that the consumer may replace. All other parts must be replaced by a qualified gas service person.

<b>PART</b>	<b>Part description</b>
Glass Gasket	Black 5/8" wide, 1/8" thick Self-Adhesive Fiberglass
Door Glass	5 mm neoceram - 3 pieces
Glass Clips	6 Clips
Log Set (includes coals)	Front and back log, left and right twig, and coals
Owner's Manual	This document

To register your TRAVIS INDUSTRIES, INC. 7 Year Warranty, complete the enclosed warranty card and mail it within **ten (10)** days of the appliance purchase date to: TRAVIS INDUSTRIES, INC., 10850 117th Place N.E., Kirkland, Washington 98033. TRAVIS INDUSTRIES, INC. warrants this gas appliance (appliance is defined as the equipment manufactured by Travis Industries, Inc.) to be defect-free in material and workmanship to the original purchaser from the date of purchase as follows:

**Years 1 & 2 - COVERAGE: PARTS & LABOR**

Burner Assembly:

Burner, Burner Pan, Air Shutter Assembly, Main Burner Orifice

Firebox Assembly:

Adjustable Air Restrictor, Pressure Relief Mechanisms (direct vents only), Glass Attachment Mechanism

Gas Control Assembly

Adjustable control valve, millivolt wiring and connectors (located within the metal heater structure), thermopile, thermocouple, pilot hood, orifices, pilot gas line, piezo ignitor

Ceramic Glass

Glass (breakage from thermal shock)

Ceramic Logs

Log Set, Coals, Ember Strip (Steel Fiber)

Optional Brass Door

Solid Brass Door (see "Conditions and Exclusions" # 9)

Gold Plating

Gold or Nickel Door, Optional Grill (see "Conditions and Exclusions" # 9)

Electrical Assembly:

Blower, wiring harness, snap discs, rheostat speed control

Accessories

Legs, Pedestal, Panels, Cast Firebacks, Shell Assembly

Convection Heat Exchanger

Re-Installation Allowance

In cases where heater must be removed from home for repairs, a partial cost of re-installation is covered (pre-authorization required)

One-Way Freight Allowance

One-way freight allowance on pre-authorized repair done at factory is covered.

**Exclusions:** Paint, Gasketing

**Years 3 THROUGH 5 - COVERAGE: PARTS & LABOR**

Burner Assembly:

Burner, Burner Pan, Air Shutter Assembly, Main Burner Orifice

Optional Brass Door

Solid Brass Door (see "Conditions and Exclusions" # 9)

**Exclusions:** Paint, Gasketing, Electrical Assembly, Gas Control Assembly, Ceramic Glass, Ceramic Logs, Gold & Nickel Plating, Accessories, Re-Installation Allowance

Firebox Assembly:

Adjustable Air Restrictor, Pressure Relief Mechanisms (direct vents only), Glass Attachment Mechanism

Convection Heat Exchanger

One-Way Freight Allowance

One-way freight allowance on pre-authorized repair done at factory is covered.

**Years 6 & 7 - COVERAGE: PARTS ONLY**

Burner Assembly:

Burner, Burner Pan, Air Shutter Assembly, Main Burner Orifice

Firebox Assembly:

Adjustable Air Restrictor, Pressure Relief Mechanisms (direct vents only), Glass Attachment Mechanism

Optional Brass Door

Solid Brass Door (see "Conditions and Exclusions" # 9)

**Exclusions:** Paint, Gasketing, Electrical Assembly, Gas Control Assembly, Ceramic Glass, Ceramic Logs, Gold & Nickel Plating, Accessories, Convection Heat Exchanger, Re-Installation Allowance, One-Way Freight Allowance, Labor

**CONDITIONS & EXCLUSIONS**

- This new gas appliance must be installed by a qualified gas appliance technician. It must be installed, operated, and maintained at all times in accordance with the instructions in the Owner's Manual. Any alteration, willful abuse, accident, neglect, or misuse of the product shall nullify this warranty.
- This warranty is nontransferable, and is made to the ORIGINAL purchaser, provided that the purchase was made through an authorized TRAVIS dealer.
- Discoloration and some minor expansion, contraction, or movement of certain parts and resulting noise, is normal and not a defect and, therefore, not covered under warranty. The installer must ensure the appliance is burning as per the rating tag at the time of installation. Over-firing (operation above the listed BTU rate) of this appliance can cause serious damage and will nullify this warranty.
- The warranty, as outlined within this document, does not apply to the chimney components or other Non-Travis accessories used in conjunction with the installation of this product. If in doubt as to the extent of this warranty, contact your authorized TRAVIS retailer before installation.
- Travis Industries will not be responsible for inadequate performance caused by environmental conditions such as nearby trees, buildings, roof tops, wind, hills or mountains or negative pressure or other influences from mechanical systems such as furnaces, fans, clothes dryers, etc.
- This Warranty is void if:
  - The unit has been operated in atmospheres contaminated by chlorine, fluorine or other damaging chemicals.
  - The unit is subject to submersion in water or prolonged periods of dampness or condensation.
  - Any damage to the unit, combustion chamber, heat exchanger or other components due to water, or weather damage which is the result of, but not limited to, improper chimney/venting installation.
- Exclusions to this 7 Year Warranty include: injury, loss of use, damage, failure to function due to accident, negligence, misuse, improper installation, alteration or adjustment of the manufacturer's settings of components, lack of proper and regular maintenance, damage incurred while the appliance is in transit, alteration, or act of God.
- This 7 Year warranty excludes damage caused by normal wear and tear, such as paint discoloration or chipping, worn or torn gasketing, corroded or cracked logs, embers, etc. Also excluded is damage to the unit caused by abuse, improper installation, modification of the unit, drilling of the orifices, or the use of fuel other than that for which the unit is configured. Units are shipped for natural gas and must be converted to propane using the included conversion kit. Confirm fuel configuration with your installer.
- Damage to gold, nickel, or brass surfaces caused by fingerprints, scratches, melted items, or other external sources left on the surface is not covered in this warranty. Damage from the use of cleaners other than denatured alcohol on gold or nickel is not covered in this warranty. Damage from the use of abrasive cleaners on brass is not covered in this warranty.
- TRAVIS INDUSTRIES, INC. is free of liability for any damages caused by the appliance, as well as inconvenience expenses and materials. Incidental or consequential damages are not covered by this warranty. In some states, the exclusion of incidental or consequential damage may not apply.
- This warranty does not cover any loss or damage incurred by the use or removal of any component or apparatus to or from the gas appliance without the express written permission of TRAVIS INDUSTRIES, INC. and bearing a TRAVIS INDUSTRIES, INC. label of approval.
- Any statement or representation of TRAVIS products and their performance contained in TRAVIS advertising, packaging literature, or printed material is not part of this 7 year warranty.
- This warranty is automatically voided if the appliance's serial number has been removed or altered in any way. If the appliance is used for commercial purposes, it is excluded from this warranty.
- No dealer, distributor, or similar person has the authority to represent or warrant TRAVIS products beyond the terms contained within this warranty. TRAVIS INDUSTRIES, INC. assumes no liability for such warranties or representations.
- Travis Industries will not cover the cost of the removal or re-installation of hearths, facing, mantels, venting or other components.
- If for any reason any section of this warranty is declared invalid, the balance of the warranty remains in effect and all other clauses shall remain in effect.
- THIS 7 YEAR WARRANTY IS THE ONLY WARRANTY SUPPLIED BY TRAVIS INDUSTRIES, INC., THE MANUFACTURER OF THE APPLIANCE. ALL OTHER WARRANTIES, WHETHER EXPRESS OR IMPLIED, ARE HEREBY EXPRESSLY DISCLAIMED AND PURCHASER'S RECOURSE IS EXPRESSLY LIMITED TO THE WARRANTIES SET FORTH HEREIN.**

**IF WARRANTY SERVICE IS NEEDED:**

- If you discover a problem that you believe is covered by this warranty, you **MUST REPORT** it to your TRAVIS dealer **WITHIN 30 DAYS**, giving them proof of purchase, the purchase date, and the model name and serial number.
- Travis Industries has the option of either repairing or replacing the defective component.
- If your dealer is unable to repair your appliance's defect, he may process a warranty claim through TRAVIS INDUSTRIES, INC., including the name of the dealership where you purchased the appliance, a copy of your receipt showing the date of the appliance's purchase, and the serial number on your appliance. At that time, you may be asked to ship your appliance, freight charges prepaid, to TRAVIS INDUSTRIES, INC. TRAVIS INDUSTRIES, INC., at its option, will repair or replace, free of charge, your TRAVIS appliance if it is found to be defective in material or workmanship within the time frame stated within this 7 year warranty. TRAVIS INDUSTRIES, INC. will return your appliance, freight charges (years 1 to 5) prepaid by TRAVIS INDUSTRIES, INC., to your regional distributor, or dealership.
- Check with your dealer in advance for any costs to you, when arranging a warranty call. Dealers may require you to pay a service or trip charges for any warranty work. This charge can vary from store to store.



The safety label can be found on a card that is chained to the unit behind the control cover. A copy is shown below.

Tested & Listed by  Beaverton, OR, USA **Avanti Gas Heater**  
Listed Gas-Fired Vented Room Heater

Tested to ANSI Z21.11.1-1991, ANSI Z21.11.1a-1993, CAN/CGA 2.1M88, CAN/CGA 2.17M91  
By OMNI Environmental Services (Report #028-S-08-5, January 1996)

Must be installed in accordance with all local codes, if any; if not, follow ANSI Z223.1 in USA, CAN B149 in Canada, and the requirements listed in the accompanying owner's manual.

Electrical connections and grounding must be installed in accordance with local codes, if any; if not, follow ANSI/NFPA 70 in USA or CSAC 2.21 in Canada.

Controls: Robertshaw Model 7000MVRB-5-LC

This room heater is equipped at the factory for use with natural gas, if conversion to propane (LP) fuel is desired, the optional factory conversion kit #98900745 must be used.

Input and Orifice Specifications:	LP.	N.G.
Maximum Input Rating (BTU/Hr)	38,000	40,000
Minimum Input Rating (BTU/Hr)	20,000	23,000
Burner Orifice	#49	#31
Pressure Specifications:	LP.	N.G.
Manifold Pressure HI Setting (W.C.)	10"	3.5"
Manifold Pressure LO Setting (W.C.)	2.7"	1.0"
Minimum Inlet Pressure (W.C.)	11"	5.5"

**Minimum Clearance to Combustibles**

Unit to Sidewall .....	10"
Unit to Backwall .....	4"
Unit to Cornerwall .....	4"
Alcove Minimum Width .....	44"
Alcove Minimum Height .....	58"
Alcove Maximum Depth .....	45"
Side Facing .....	8"
Top Facing .....	12"
Mantle Height Above Unit .....	17-1/2"
Hearth Extension (Front) .....	0"
Hearth Extension (Side) .....	0"

Blower Electrical Rating: 115 Volts, 1.5 Amps, 60 Hz.  
FAN TYPE VENTED CIRCULATOR

**WARNING:**

Operation of this heater when not connected to a properly installed and maintained venting system or tampering with the vent safety shutoff system can result in carbon monoxide (CO) poisoning and possible death.

Improper installation, adjustment, alteration, service or maintenance can cause injury or property damage. Refer to the information in the owner's manual provided with this appliance. For assistance or additional information consult a qualified installer, service agency or the gas supplier.

Risk of electrical shock. Disconnect power before servicing unit.

Do not route power cord beneath heater when installed as an insert.

This room heater needs fresh air for safe operation and must be installed with provisions for adequate combustion and ventilation air. See owner's manual and operating instructions.

**MANUFACTURE DATE:**

- 1996
- 1997 ■ Jan. ■ Apr. ■ Jul. ■ Oct.
- 1998 ■ Feb. ■ May ■ Aug. ■ Nov.
- 1999 ■ Mar. ■ Jun. ■ Sep. ■ Dec.

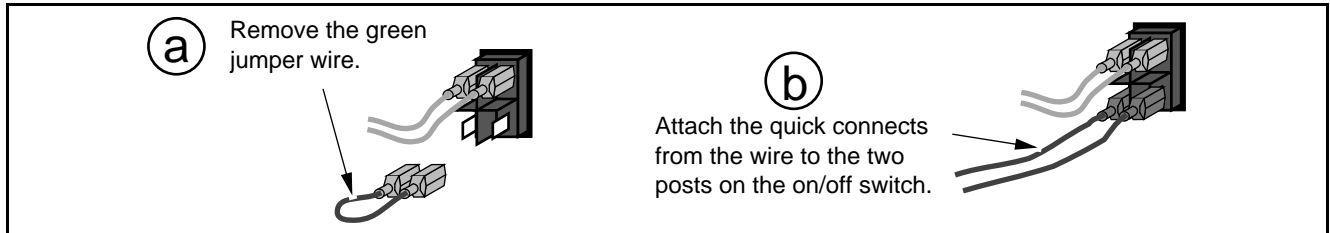
MADE IN THE U.S.A. BY:



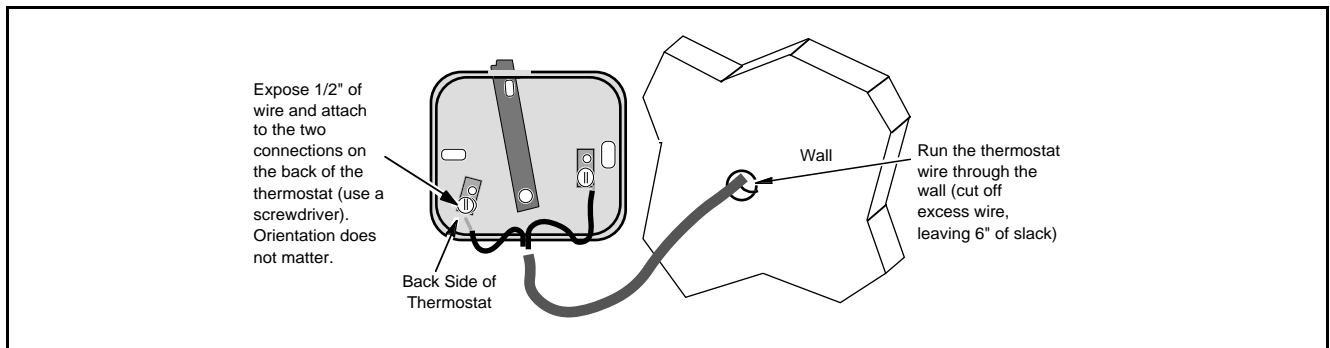
**DO NOT REMOVE THIS LABEL**

**Thermostat (Part # 99300650)**

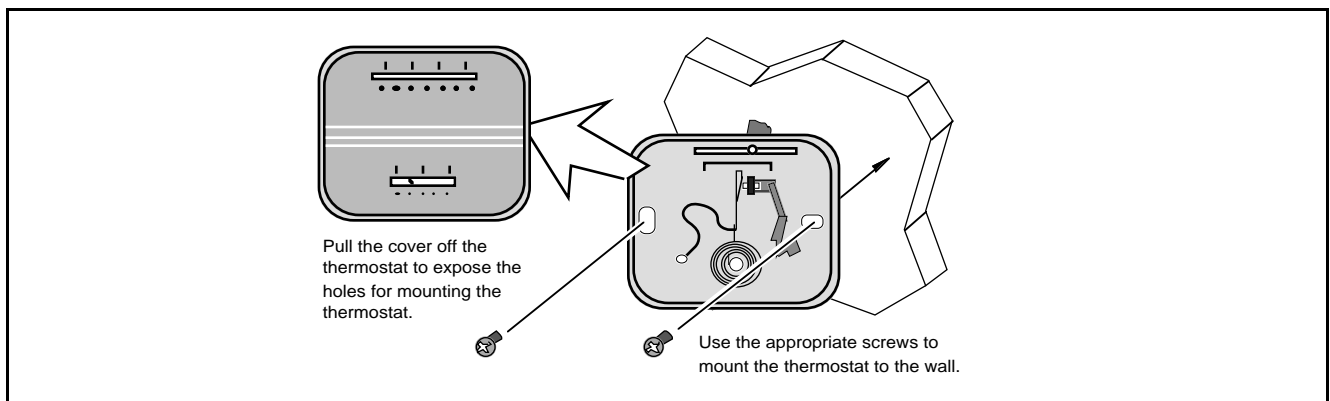
- ! Do not connect 110-120 VAC to the gas control valve or wiring of this unit.
- 1 Expose the back of the on/off switch (on inserts it is on the upper right corner of the surround panels, on stoves it is on the upper left corner of the rear panel). Remove the green jumper wire and attach the thermostat wire to the back of the on/off switch (see the illustration below).



- 2 On stoves, route the thermostat wire through the gas inlet hole. For inserts, run the thermostat wire behind the surround panels. Pull through all the slack (you may wish to wrap the wire in electrical tape to prevent damage to the wire). Determine a location for the thermostat that is within range of the 50' length of thermostat wire. It should be centralized in the room and away from the heater. The wire may be routed externally on the wall or behind the wall (preferred).
- 3 Cut the thermostat wire so there is approximately 6" of slack (NOTE: Do not splice thermostat wires together—this leads to too much electrical resistance). Expose 1/2" off each wire of the thermostat wire. Attach the exposed wire to the clips on the back of the thermostat using a screwdriver.



- 4 Pull the cover off the thermostat. Place the thermostat in location and attach it to the wall through the two obround holes (use the appropriate screws for the type of wall it is being attached to). Replace the cover on the thermostat to complete the installation.



## Remote Thermostat

- ! Do not connect 110-120 VAC to the gas control valve or wiring system of this unit.
- Follow the instructions included with the remote thermostat for installation.

### **IMPORTANT OPERATIONAL NOTE FOR REMOTE THERMOSTAT USE:**

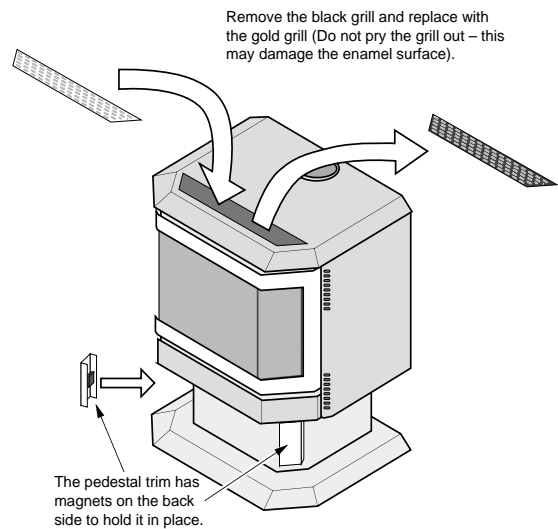
Included with the remote thermostat is a set of instructions that should be given to the homeowner. Please be aware that the remote thermostat has a 1 to 2 minute lag time between the time the thermostat is turned up and the heater turns on.

## Outside Air Kit

- See the instructions included with this kit for installation instructions.

### **vanti Gold Trim (Part # 99200116)**

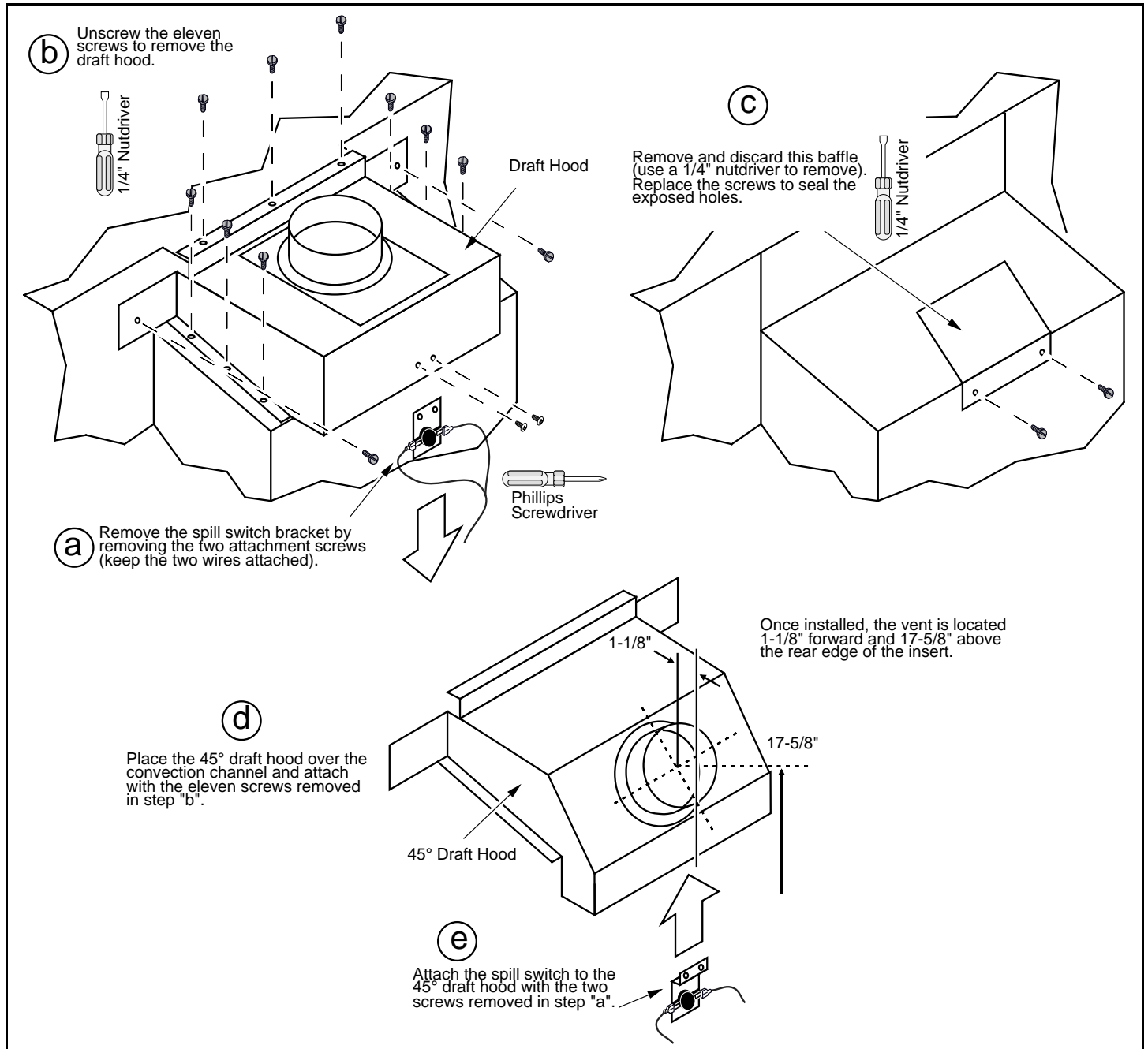
- 1 Install the stove shell prior to installing the gold trim.
  - 2 Place the pedestal trim against the pedestal. Slide the trim until it is aligned. The magnets on the back of the trim will hold them in place.
  - 3 Remove the black grill from the upper stove top. Replace with the gold grill.
- ! Do not pry the grill out – this may cause chipping or cracking on enamel surfaces.



**45° Flue Adapter (Part # 98900119)**

The 45° flue adapter is designed for insert installations requiring a more flexible flue outlet.

- 1 Install the flue adapter prior to inserting the insert into the fireplace.
- 2 Follow the instructions below to install.



## Propane Conversion Kit (Part # 98900745)

The propane conversion kit should be installed prior to installing the heater and gas inlet (if not, shut off gas and disconnect the gas inlet - see page 9 for stoves, page 13 for inserts).

### Items Needed For Assembly

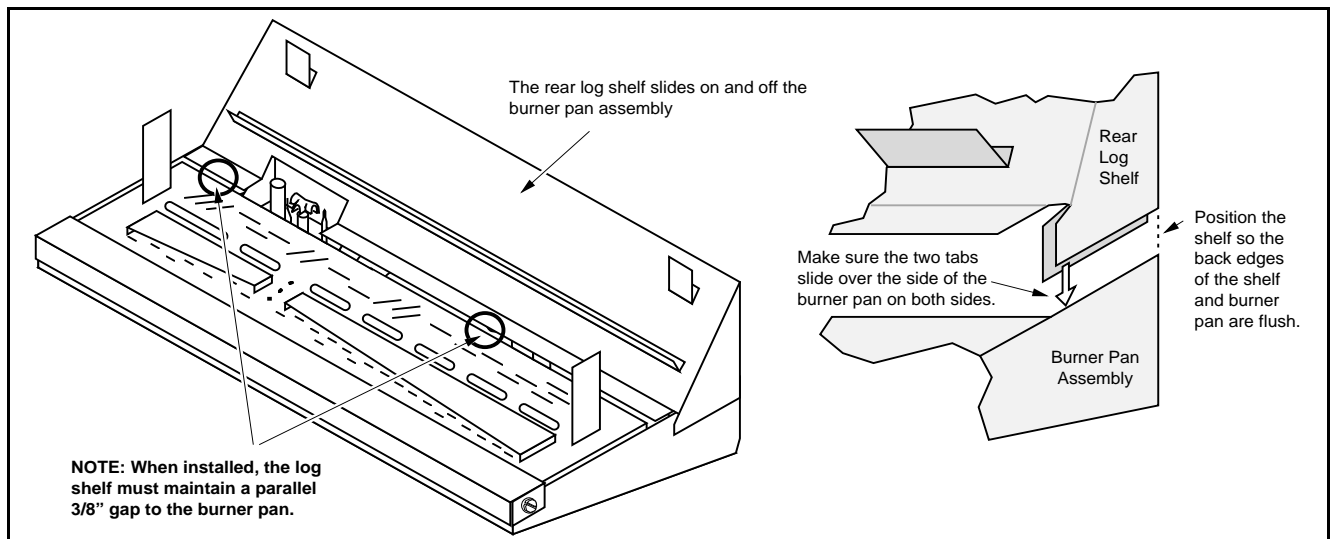
- 1/4" Nutdriver
- Phillips Screwdriver
- Thread sealant
- 7/16" and 1/2" Open End Wrench
- Micro (1/16") Standard Screwdriver
- Leak Testing Equipment
- Standard Screwdriver

### Packing List

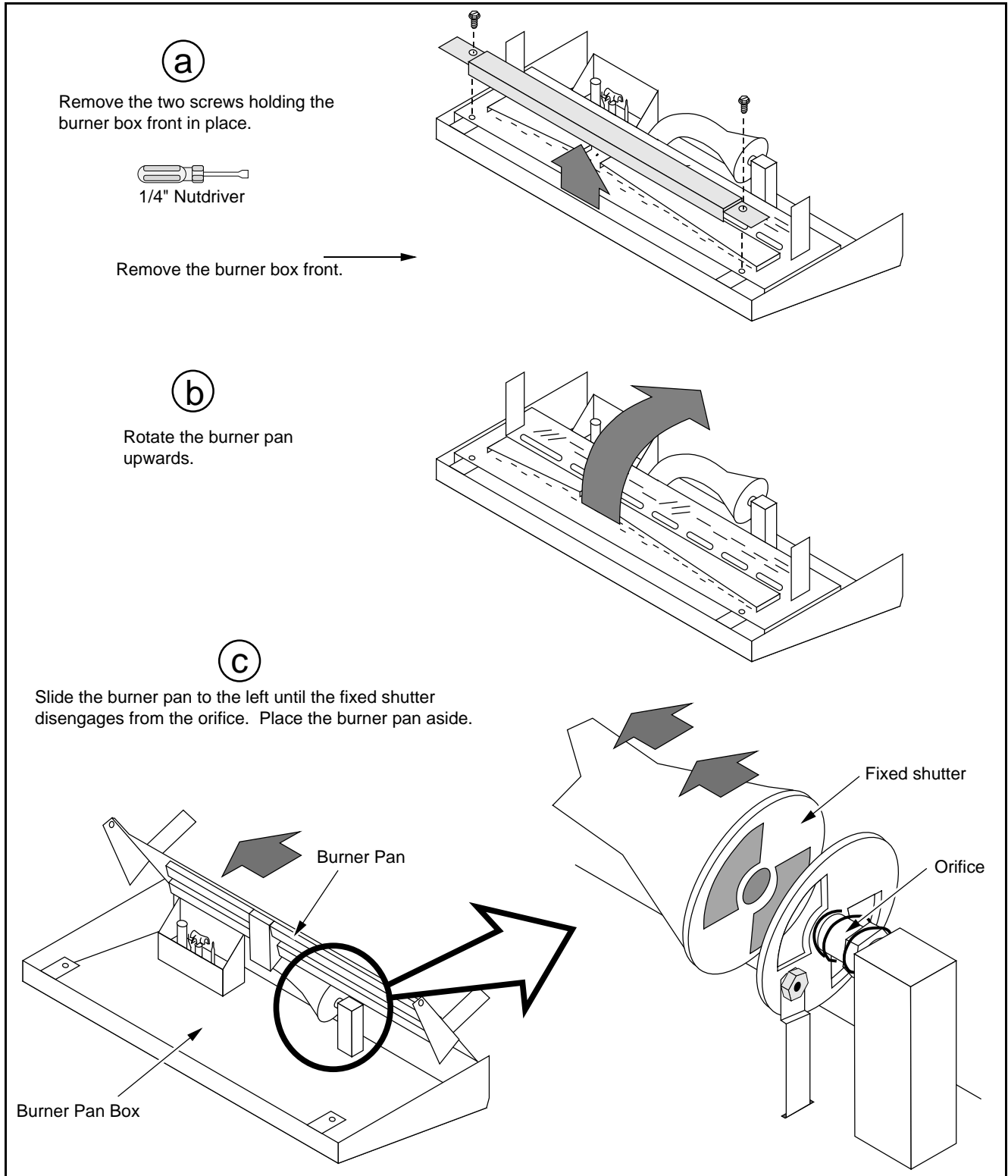
- LP Orifice (#49 - stamped "49")
- LP Pilot Orifice (.016" dia. - stamped "16LP")
- Replacement Regulator
- Two Replacement Screws
- Regulator Gasket
- LP Label

### Installation Instructions

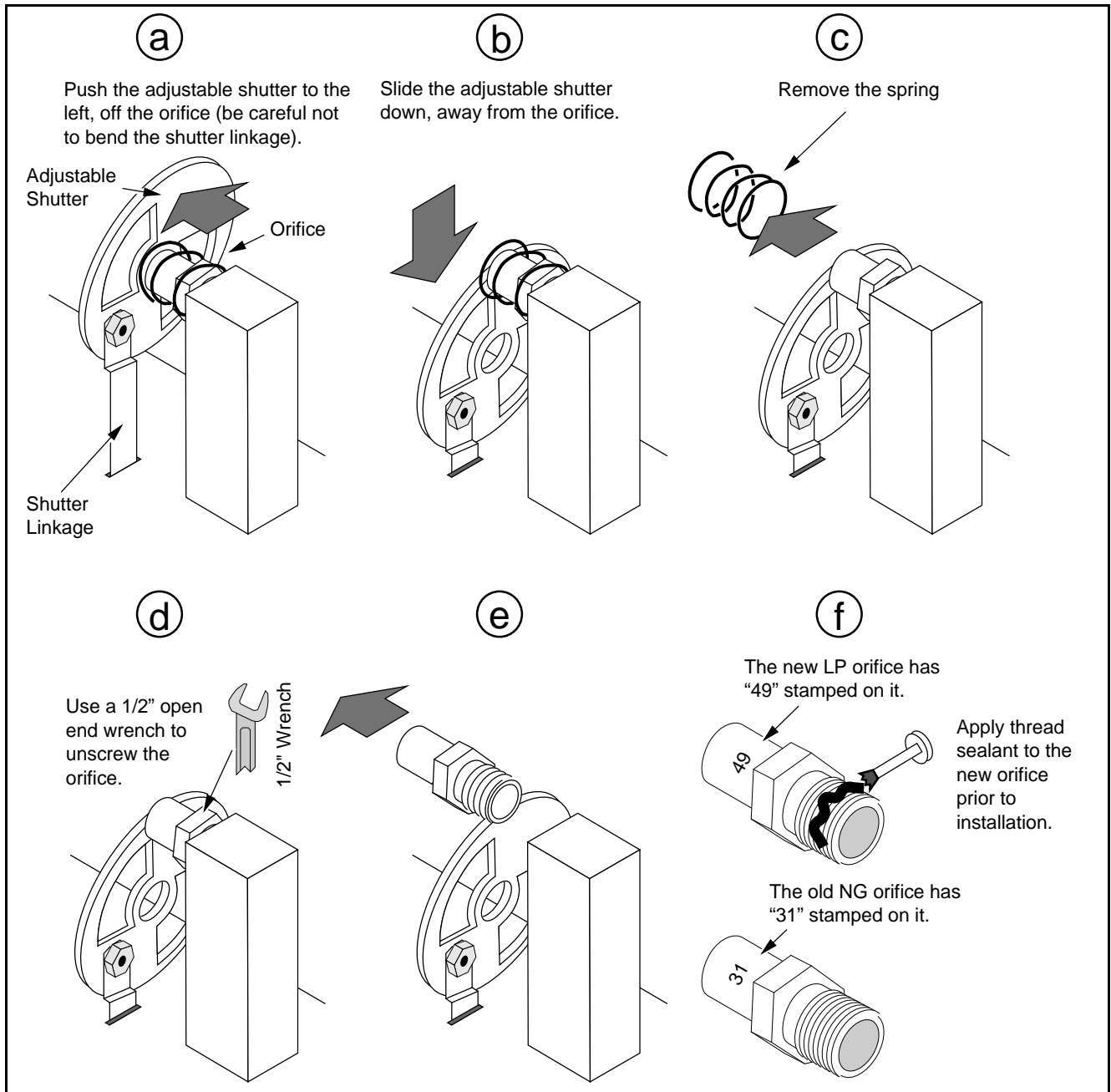
- 1 Open the door (see page 20).
- 2 Reach into the firebox and remove the rear log shelf (see the illustration below).



3 Remove the burner pan from the burner pan box following the instructions below.

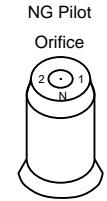
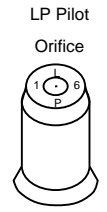
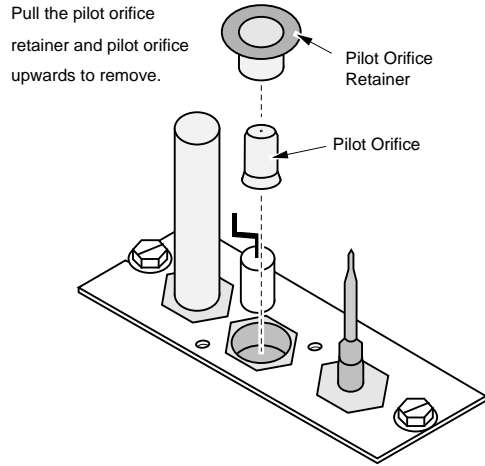
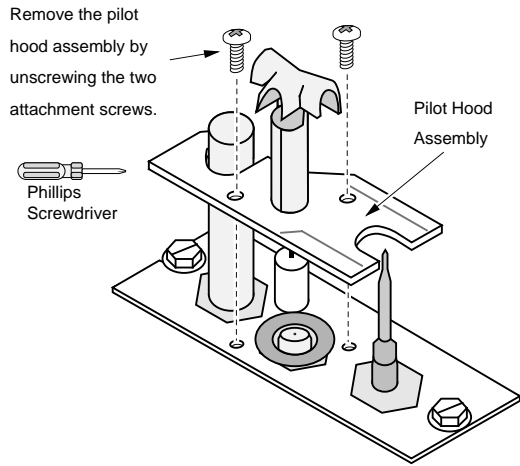


- 4 Follow the directions below to remove the natural gas orifice. Apply thread sealant to the LP orifice (#49 - it has "49" stamped on it) and tighten in place with a 1/2" open end wrench. Replace the spring. Slide the adjustable shutter back in place.



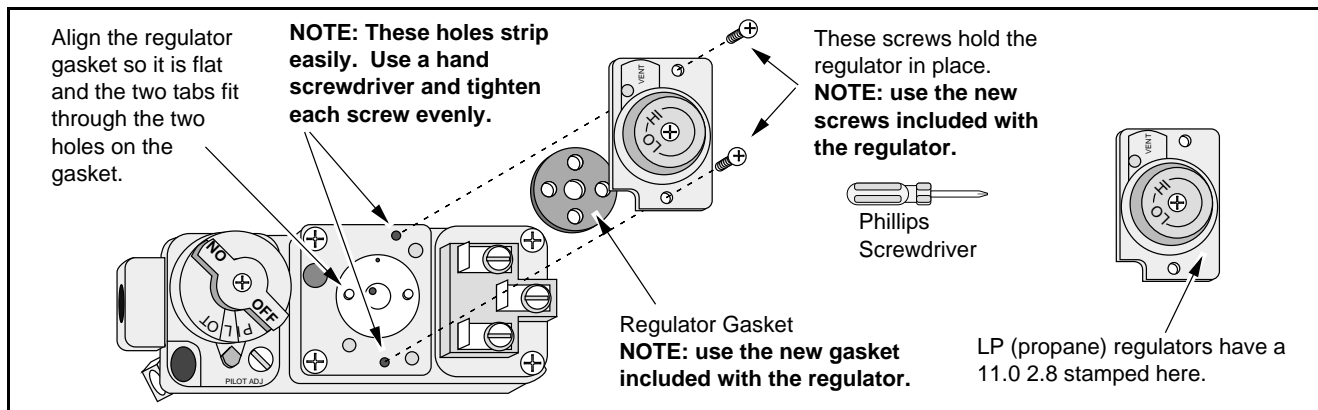
- 5 Re-attach the burner pan and burner box front to the burner pan box following the instructions in step 3 in reverse order.

- 6 Remove the pilot orifice following the instructions below. Replace with the propane pilot orifice (the LP orifice is .016" diameter - it has "16" stamped on it).

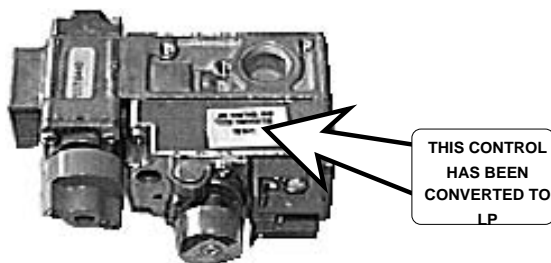




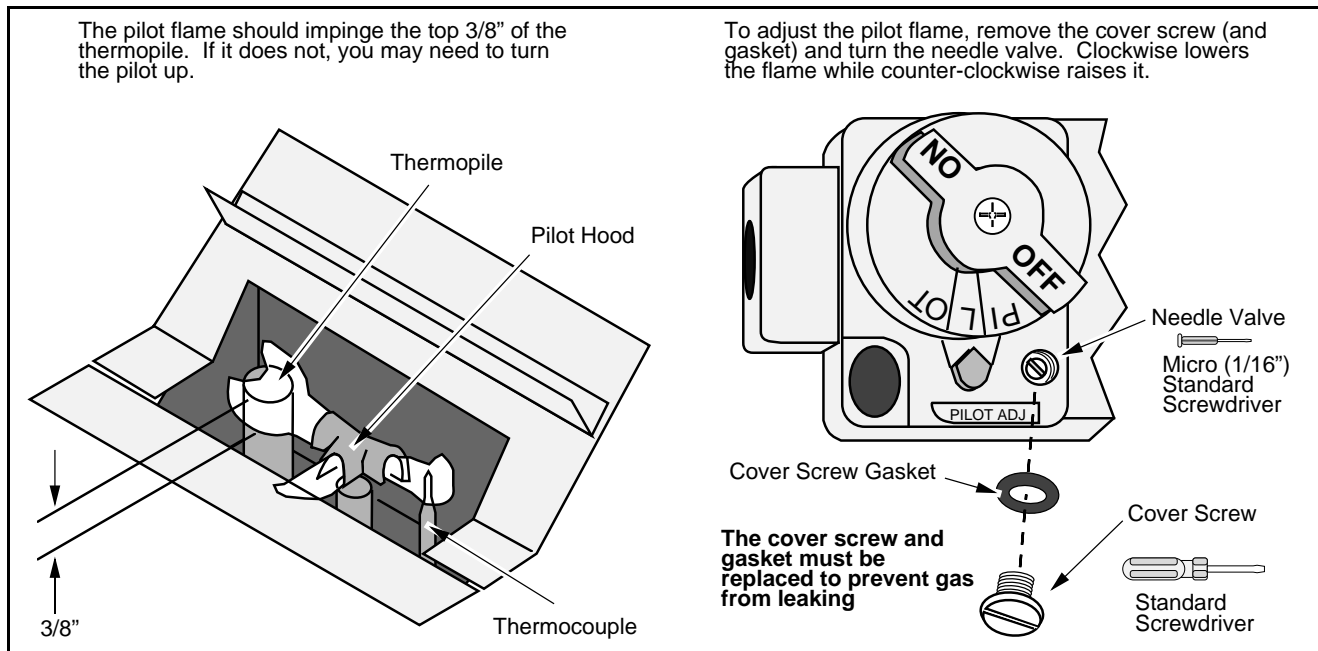
- 7 Replace the pilot assembly (follow the instructions in step 6 in reverse order). Make sure the pilot assembly gasket is placed correctly.
- 8 Replace the rear log shelf (see step 2). Install the logs and embers. Close and secure the door.
- 9 Remove the regulator from the front of the gas control valve. Replace with the propane regulator, using the new gasket and screws included with the regulator. **NOTE: Leak test this area after the heater is installed, gas is connected, and the main burner is lit.**



- 10 Place the included propane label over the natural gas label on top of the gas control valve.



- 11 Make the gas line connection, start the heater and thoroughly leak-test all gas connections and the regulator. Check the pilot. Adjust if necessary.



B Vent (insert) .....	17	Operating the Heater.....	24
B vent (stove) .....	12	Paint Curing .....	26
Blower Speed.....	27	Parts List .....	31
BTU Input.....	5	Pedestal (installation) .....	6
Cap (vent termination - insert).....	17	Pilot (starting) .....	25
Cap (vent termination - stove).....	12	Power Cord (installation on inserts) .....	13
Clearances (insert) .....	15	Power Cord (installation on stoves) .....	8
Clearances (stove) .....	10	Propane Conversion Instructions .....	38
Controls.....	24	Propane Line Install (gas line install - insert) .....	16
Dimensions.....	5	Propane Line Install (gas line install - stove).....	11
Door Opening.....	20	Propane Verses Natural Gas Heater .....	2
Emissions.....	5	Purging Gas Line .....	22
Fan Speed.....	27	Remote Control (installation).....	35
Firebox (inspection) .....	28	Remote Control (operation) .....	26
Fireplace Sizing .....	15	Replacement Parts .....	31
Flame Height.....	26	Running Your Heater .....	26
Floor Protection (insert) .....	15	Safety Label.....	33
Floor Protection (stove) .....	10	Safety Precautions .....	2
Fuel.....	5	Sounds (normal operating sounds).....	27
Gas Inlet Location (insert) .....	16	Starting The Pilot.....	25
Gas Inlet Location (stove) .....	11	Starting the Heater for the First Time .....	26
Gas Leak.....	See Inst. on Cover	Stove Clearances.....	10
Gas Line Install (insert).....	16	Surround Panels (installation) .....	18
Gas Line Install (stove).....	11	Table of Contents.....	4
Gas Pressure (insert) .....	16	Thermostat (installation).....	34
Gas Pressure (stove) .....	11	Thermostat (operation) .....	26
Gas Smell.....	See Inst. on Cover	Troubleshooting Table.....	29
Heater Placement (insert) .....	15	Turning the Heater On and Off .....	26
Heater Placement (stove).....	10	Vent Requirements (insert).....	17
Heating Specifications.....	5	Vent Requirements (stove).....	12
How this Heater Works.....	30	Vent termination (insert).....	17
Leaking Gas.....	See Inst. on Cover	Vent termination (stove).....	12
Listing Information .....	33	Warranty.....	32
Logs and Ember Strip (installation, removal .....	21	Weight .....	5
Natural Gas Verses Propane Heater .....	2	What Prevents Gas Buildup.....	30
On/Off Operation.....	26	What Turns the Main Burners On and Off.....	30
Operating Sounds .....	27	Why Nothing Should Be Placed Against the Heater ....	30
		Wiring Diagram .....	31